

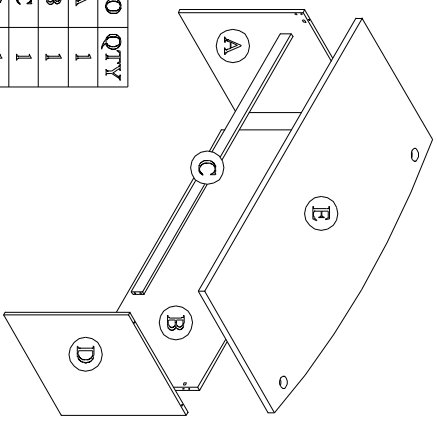
HARDWARE LIST

| | | | |
|------------|-----------------|--------------|---------------|
| II | III | IV | V |
| | | | |
| Wood Dowel | Minifix Cam Pin | Adjust Screw | PVC L Bracket |

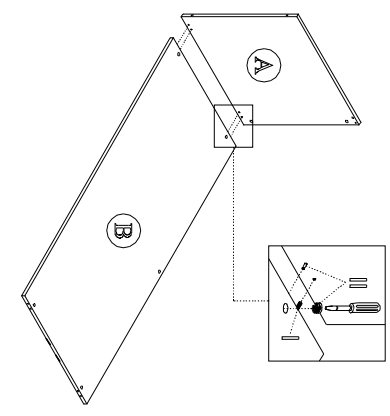
| | | | | |
|-----|------|-----|-----|----|
| 8 | 9 | 4 | 4 | 1 |
| Pcs | Sets | Pcs | Pcs | Pc |

PART LIST

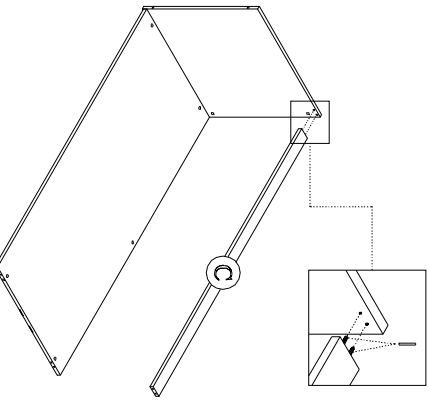
STEP 1



STEP 2

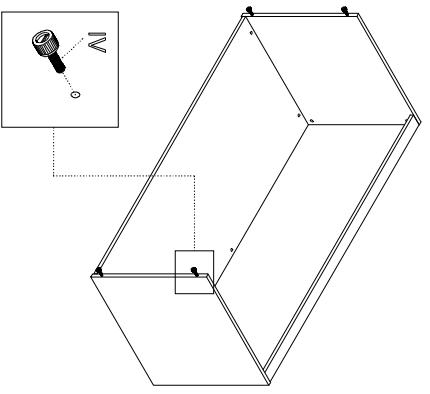


STEP 3

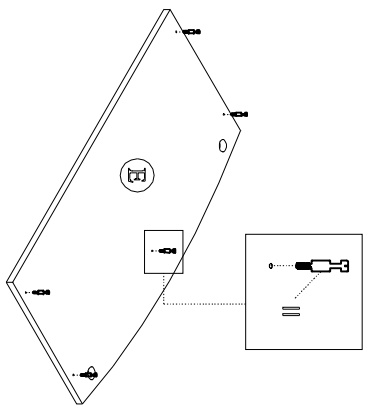


| NO | QTY |
|----|-----|
| A | 1 |
| B | 1 |
| C | 1 |
| D | 1 |
| E | 1 |

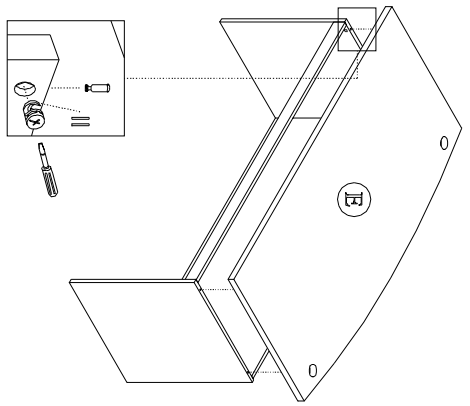
STEP 4



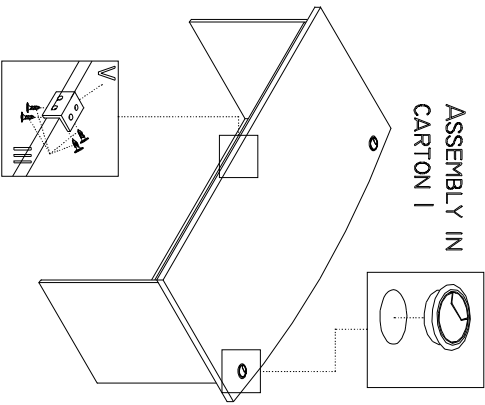
STEP 5



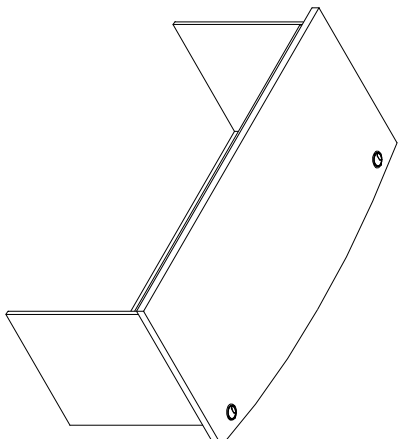
STEP 6



STEP 7



COMPLETE



ASSEMBLY INSTRUCTION

- DO NOT FULLY TIGHTEN THE NUT OR BOLT UNTIL THE PRODUCT IS ASSEMBLED.
(TO AVOID CAUSING DAMAGE TO THE THREAD DO NOT OVER TIGHTEN THE NUT OR BOLTS)
- KEEP ALL HARDWARE PARTS OUT OF REACH OF CHILDREN

DRAWN BY:

C. S. ENG

MODEL:

TSB-PC OT 3026

ASSEMBLY IN
CARTON |

