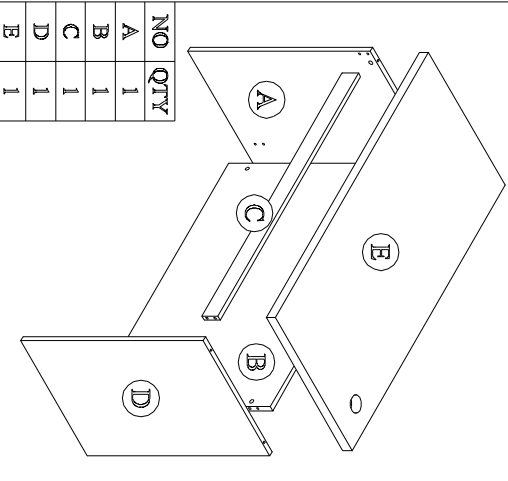


HARDWARE LIST

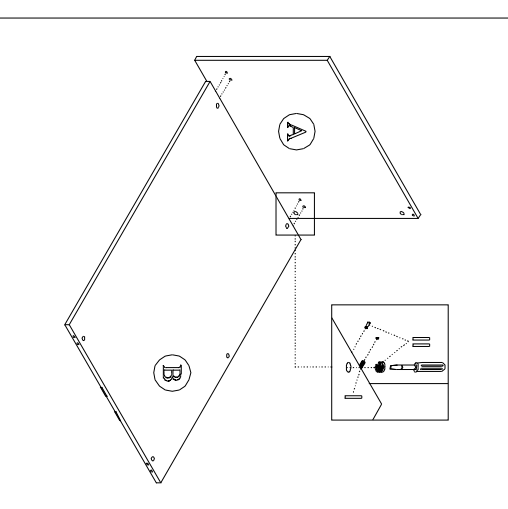
I		II		III		IV		V	
Wood Dowel	8	Minifix Cam Pin	9	3.5x16mm Adjust Screw	4	Adjust Screw	4	PVC L Bracket	1

Pcs	8	Sets	9	Pcs	4	Pcs	4	Pc	1
-----	---	------	---	-----	---	-----	---	----	---

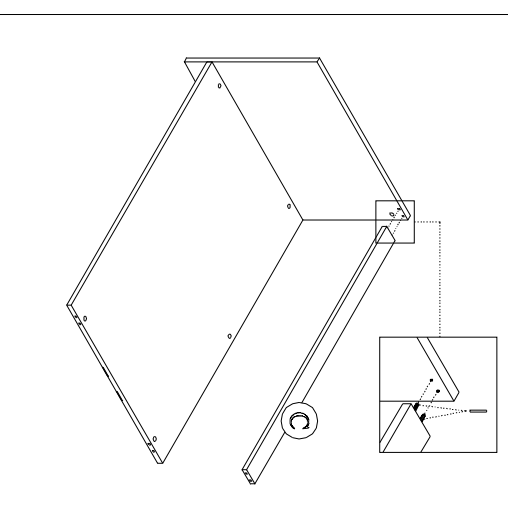
PART LIST



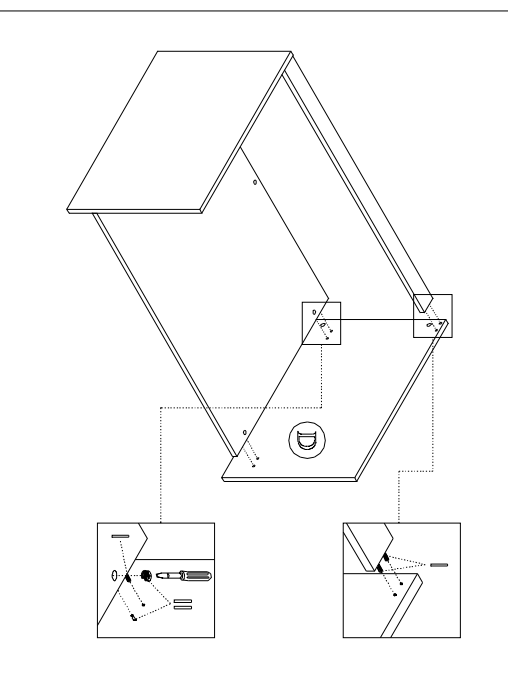
STEP 4



STEP 5

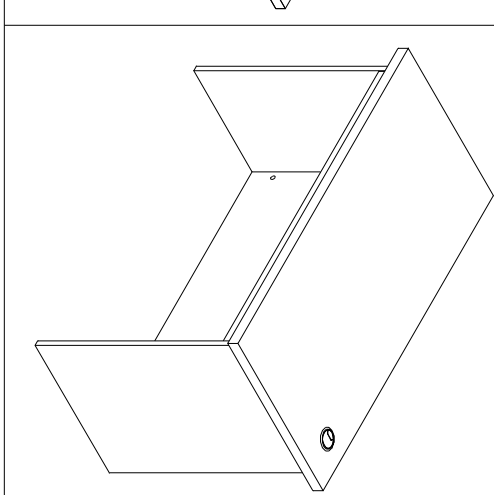
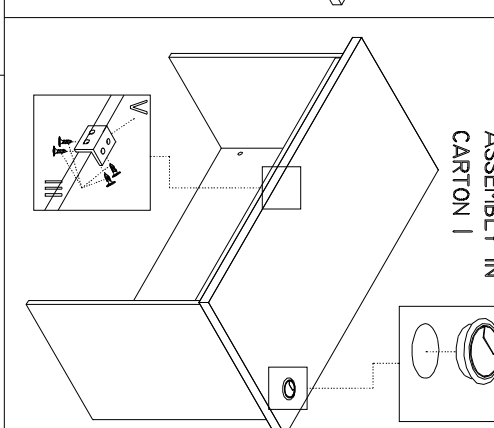
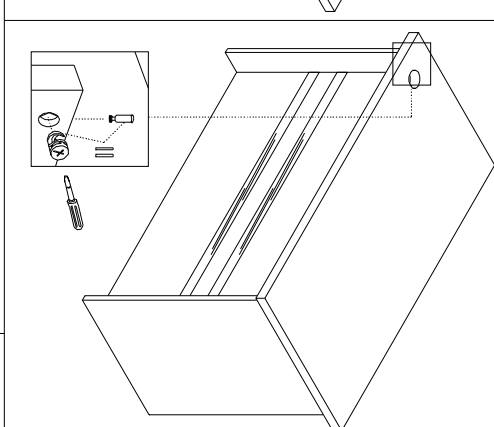
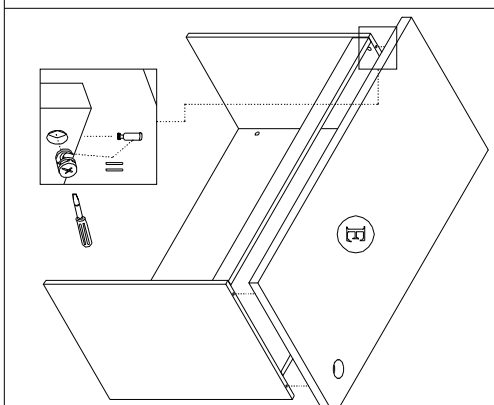
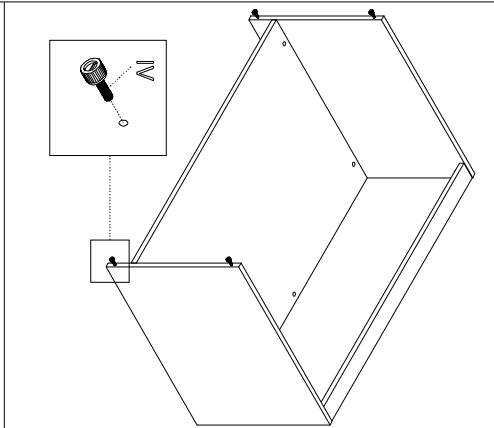


STEP 6



STEP 7

COMPLETE



ASSEMBLY INSTRUCTION

- DO NOT FULLY TIGHTEN THE NUT OR BOLT UNTIL THE PRODUCT IS ASSEMBLED.
(TO AVOID CAUSING DAMAGE TO THE THREAD DO NOT OVER TIGHTEN THE NUT OR BOLTS)
- KEEP ALL HARDWARE PARTS OUT OF REACH OF CHILDREN

DRAWN BY :

C. S. ENG

MODEL :

TSB-PC OT 3025(1.4m)

ASSEMBLY IN
CARTON I

