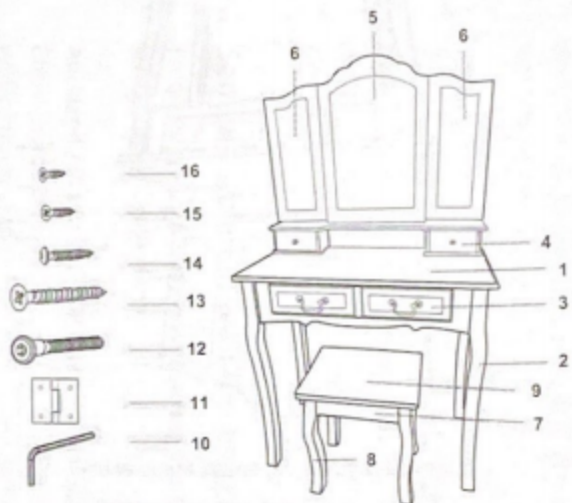


DRESSING TABLE

Original Instruction Manual

Thank you for choosing our product.
Please read the installation instructions carefully before installing and / or using the product, to avoid damage due to incorrect use.

Part List



No.	Description	Quantity	No.	Description	Quantity
1	Table body	1	9	Cushion	1
2	Table leg	4	10	Allen wrench	2
3	Main drawer	2	11	Hinge	4
4	Small drawer	2	12	Screw M7X50mm	16
5	Main mirror	1	13	Screw M6X30mm	4
6	Small mirror	2	14	Screw M4X20mm	2
7	Seat frame	1	15	Screw M2X10mm	4
8	Chair leg	4	16	Screw M1.6X10mm	16

- Please take care assembling on a soft ground to avoid scratches. Therefore put a blanket or carpet underneath.
- To make sure no damages to the product will occur, assemble with the help of another person.

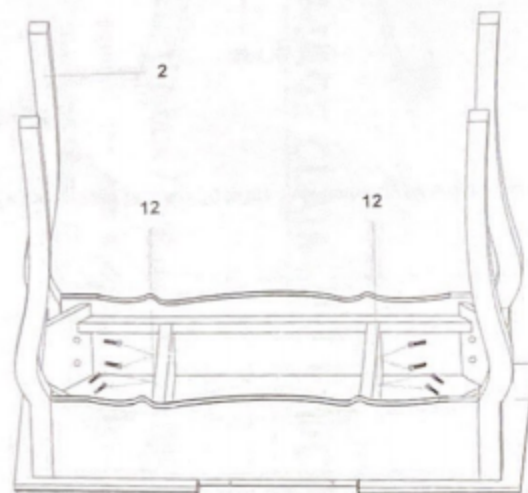
Assembly Process

The main drawer(3) was assembled already, mind it will drop while turning around the Table body(1) to assemble legs, please use Allen Wrench(10) to screw 2 pcs of screw(12) for each of Table leg(2).

Attention:

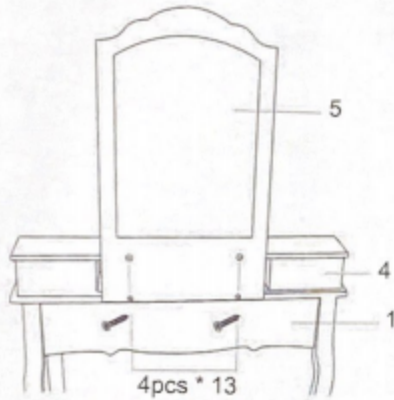
Make sure All screws are properly in place before being tightened.

Step 1:



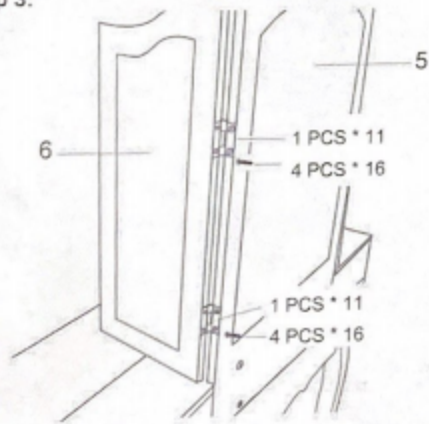
Please follow the illustrated instructions strictly.

Step 2:

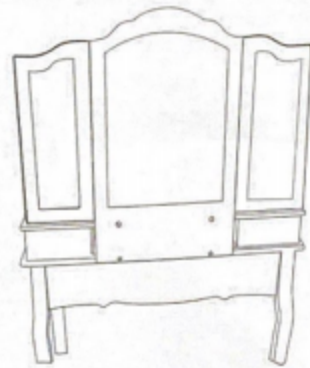


Assemble small mirror(6) into main mirror (5) with hinges(11) & M1.6x10mm screw (16).

Step 3:



The same way for the other side.



ATTENTION

Position the table close to wall, leave some space for the mirror rotating

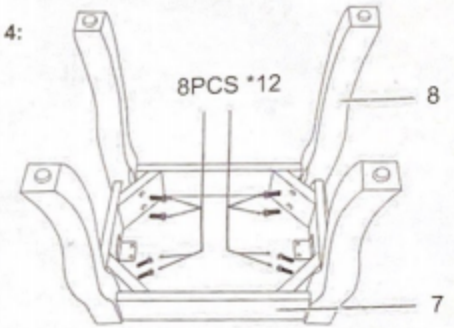


1. Fix each Leg (8) to the Seat Frame (7) using 2 Screws (12). In order to do this, you have to use the Allen Wrench(10).

Attention:

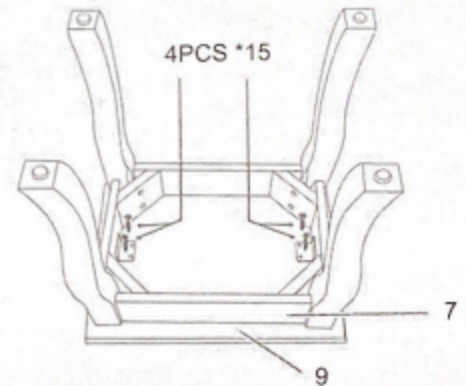
Make sure All screws are properly in place before being tightened.

Step 4:



2. Fix the Padded Cushion (9) to the Seat frame (7) by using 4 Screws

Step 5:



3. Turn the Stool up and place it with the table.