

DRESSING TABLE

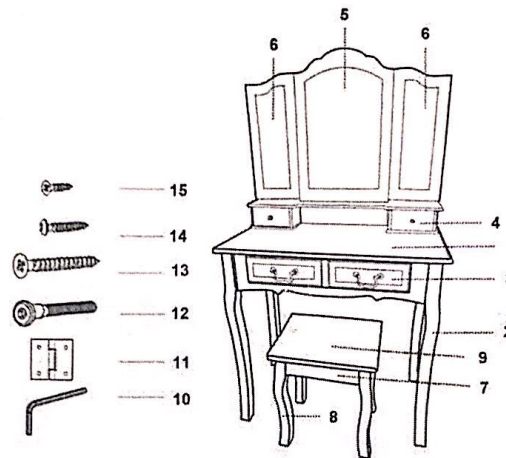
DRESS-TAB-3MIR-4D

Original Instruction Manual



Dear customer,
Thank you for choosing our product.
Please read the installation instructions carefully before installing
and / or using the product to avoid damage due to incorrect

Part List



No.	Description	Quantity	No.	Description	Quantity
1	Table body	1	9	Cushion	1
2	Table leg	4	10	Allen wrench	2
3	Main drawer	2	11	Hinge	4
4	Small drawer	2	12	Screw M8X50mm	16
5	Main mirror	1	13	Screw M6X30mm	4
6	Small mirror	2	14	Screw M4X16mm	18
7	Seat	1	15	Screw M5X15mm	6
8	Chair leg	4			

Important

- Please take care assembling on a soft ground to avoid scratches. Therefore put a blanket or carpet underneath.
- To make sure no damages to the product will occur, assemble with the help of another person.

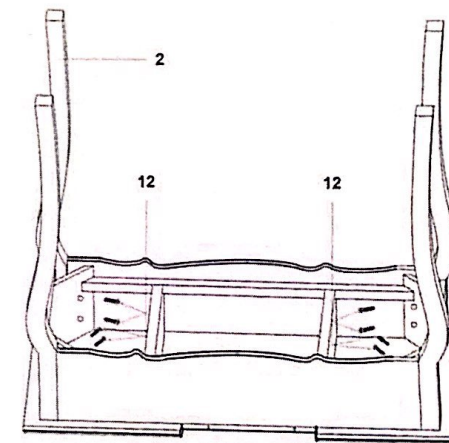
Assembly Process

The main drawer(3) was assembled already, mind it will drop while tu around the Table body(1) to assemble legs ;please use Allen Wrench(screw 2 pcs of screw(12) for each of Table leg(2).

Attention:

Make sure All screws are properly in place before being tightened.

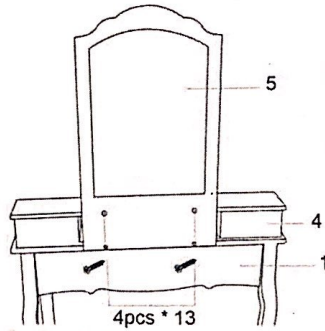
Step 1:



ASSEMBLY TABLE

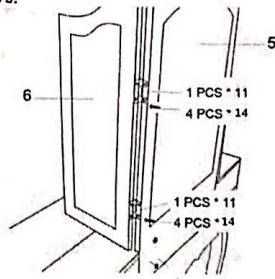
Please follow the illustrated instructions strictly.

Step 2:

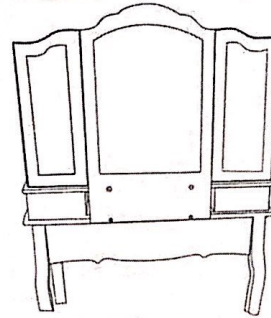


Assemble small mirror (6) into main mirror (5) with hinges (11) & screw (14).

Step 3:



The same way for the other side.



ATTENTION

Position the table close to wall, leave some space for the mirror rotating



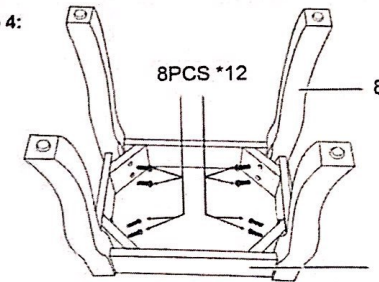
ASSEMBLY STOOL

1. Fix each Leg (8) to the Seat Frame (7) using 2 Screws (12). In order to do this, you have to use the Allen Wrench (10).

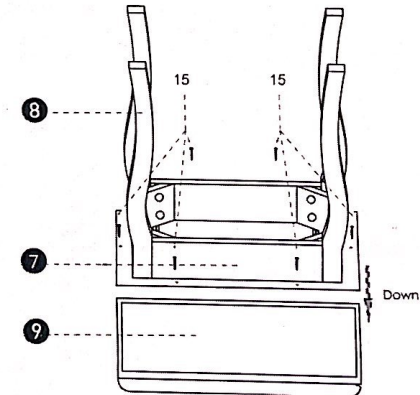
Attention:

Make sure All screws are properly in place before being tightened.

Step 4:



2. Fix the Padded Cushion (9) to the Seat frame (7) by using 4 Screws (15)



3. Turn the stool around and place it with your dressing table.