

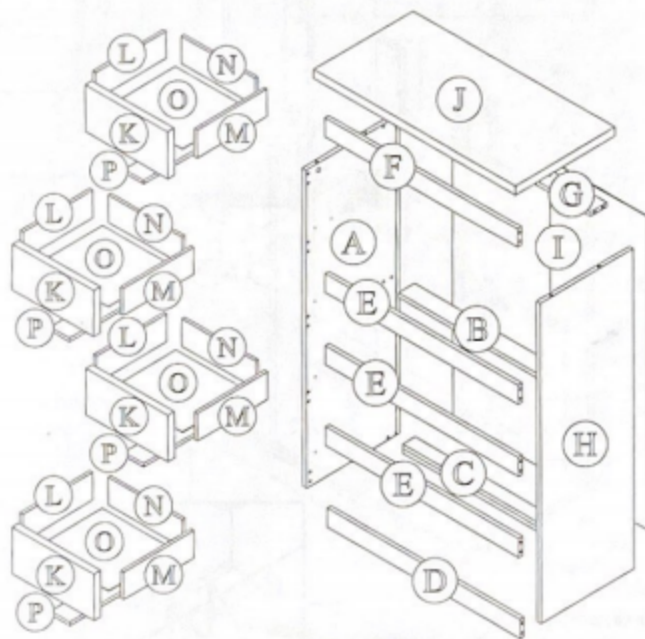
ASSEMBLY INSTRUCTION

MODEL :
TIKO TALL BOY
1027COD4

- 1) DO NOT FULLY TIGHTEN THE NUT OR BOLT UNTIL THE PRODUCT IS ASSEMBLED.
(TO AVOID CAUSING DAMAGE TO THE THREAD DO NOT OVER TIGHTEN THE NUT OR BOLTS)
2) KEEP ALL HARDWARE PARTS OUT OF REACH OF CHILDREN

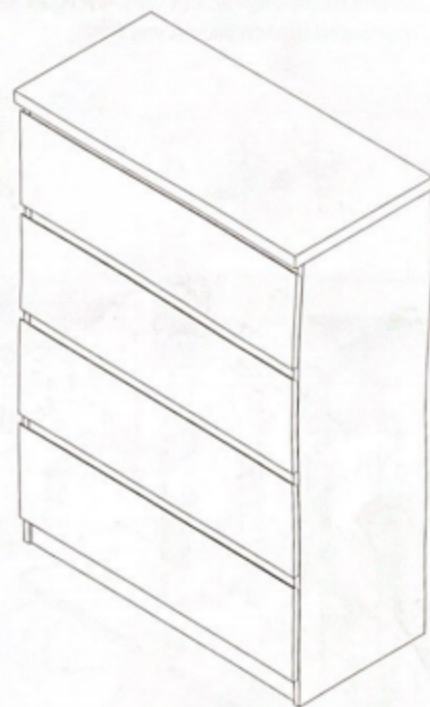
PART LIST

CODE	QTY
A	1
B	1
C	1
D	1
E	3
F	1
G	1
H	1
I	1
J	1
K	4
L	4
M	4
N	4
O	4
P	4



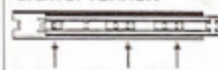
HARDWARE LIST

I	II	III	IV	V
20 Pcs	16 Sets	32 Pcs	16 Pcs	48 Pcs
VI	VII	VIII	IX	X
4 Pcs	4 Pcs	2 Pcs	4 Sets	48 Pcs



Important Note :

Please choose the correct screw hole before fitting the drawer runner.



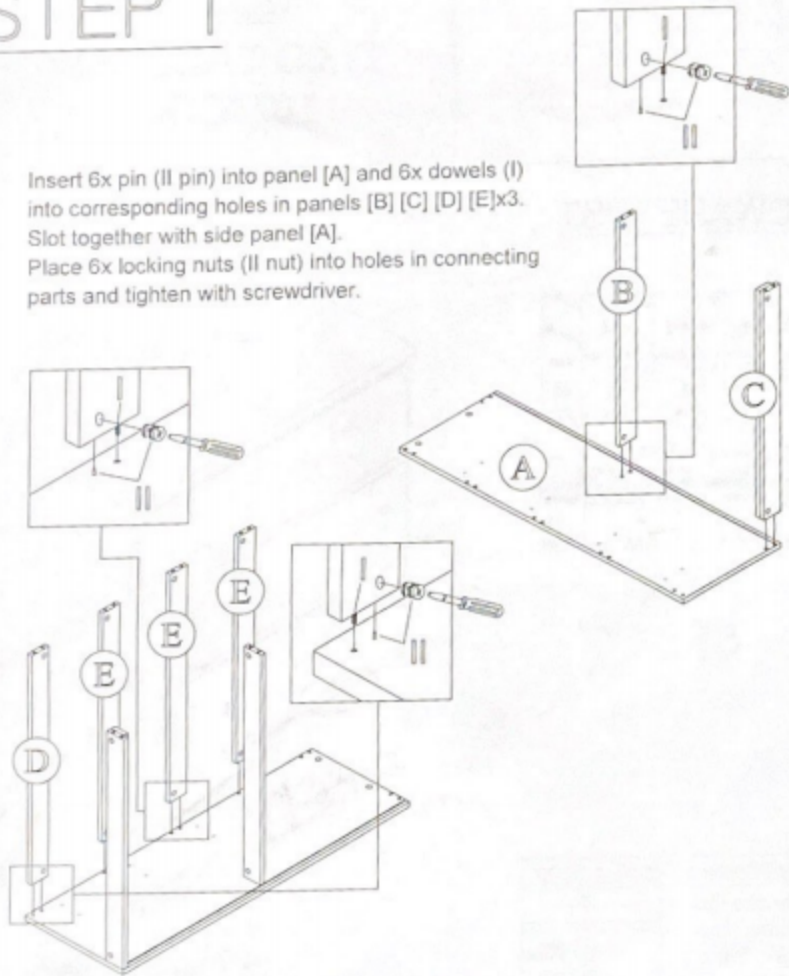
MINIFIX SETUP



COMPLETE

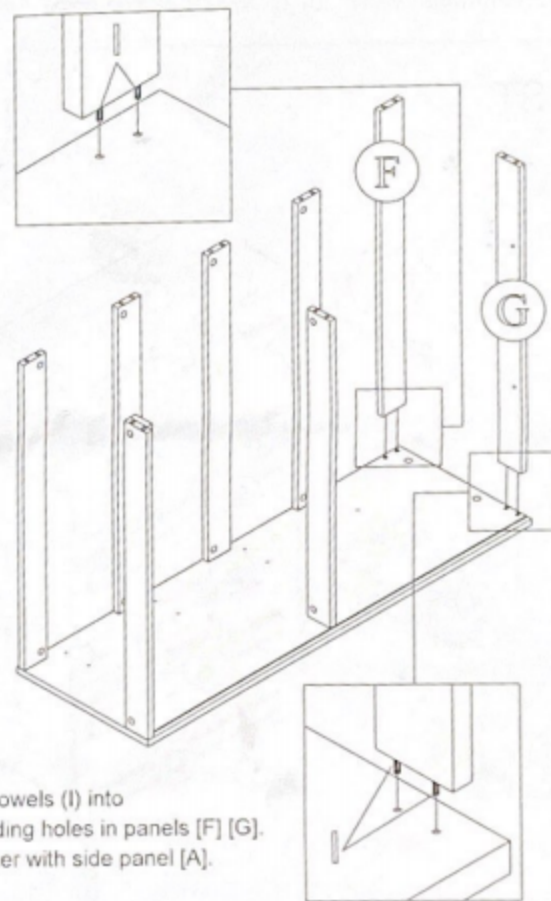
STEP 1

Insert 6x pin (II pin) into panel [A] and 6x dowels (I) into corresponding holes in panels [B] [C] [D] [E]x3.
Slot together with side panel [A].
Place 6x locking nuts (II nut) into holes in connecting parts and tighten with screwdriver.

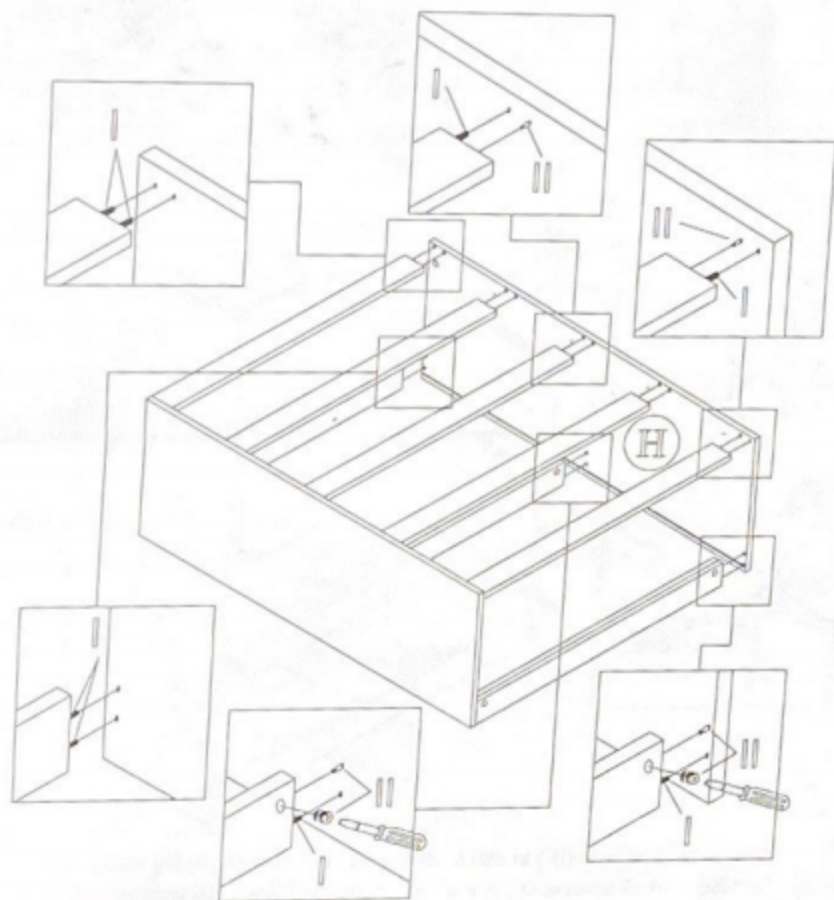


STEP 2

Insert 4x dowels (I) into corresponding holes in panels [F] [G].
Slot together with side panel [A].

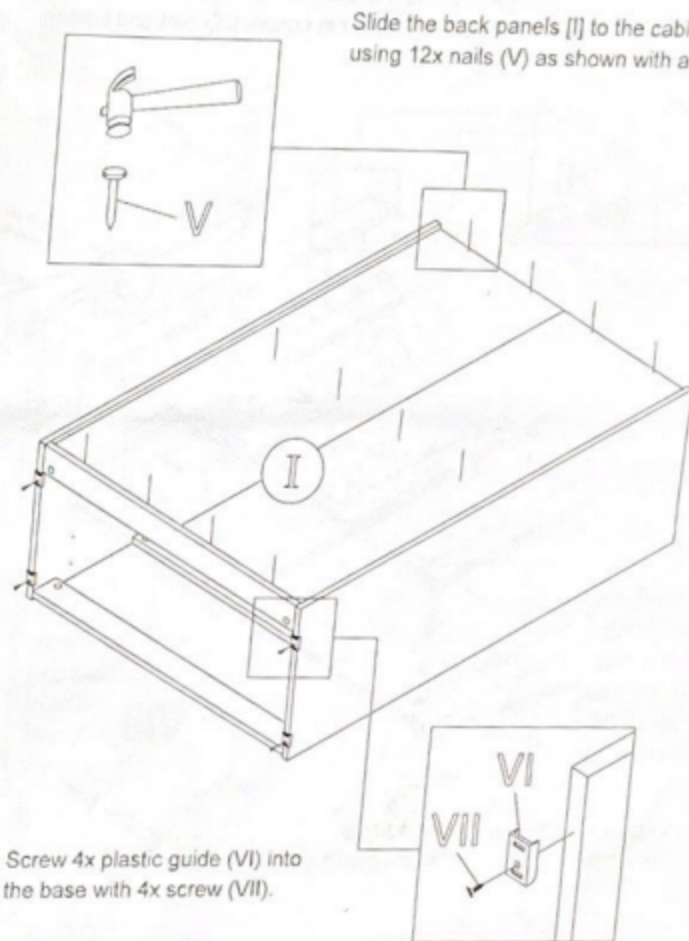


STEP 3



Insert 6x pin (II pin) into panel [H] and 10x dowels (I) into corresponding holes in panels [B] [C] [D] [E]x3 [F] [G]. Slot together with side panel [H]. Place 6x locking nuts (II nut) into holes in connecting parts and tighten with screwdriver.

STEP 4

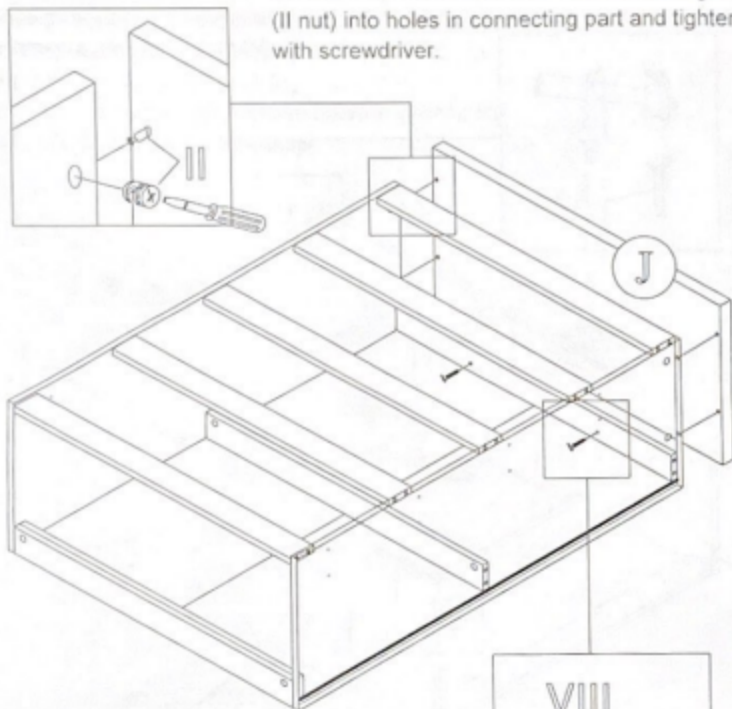


Slide the back panels [I] to the cabinet and using 12x nails (V) as shown with a hammer.

Screw 4x plastic guide (VI) into the base with 4x screw (VII).

STEP 5

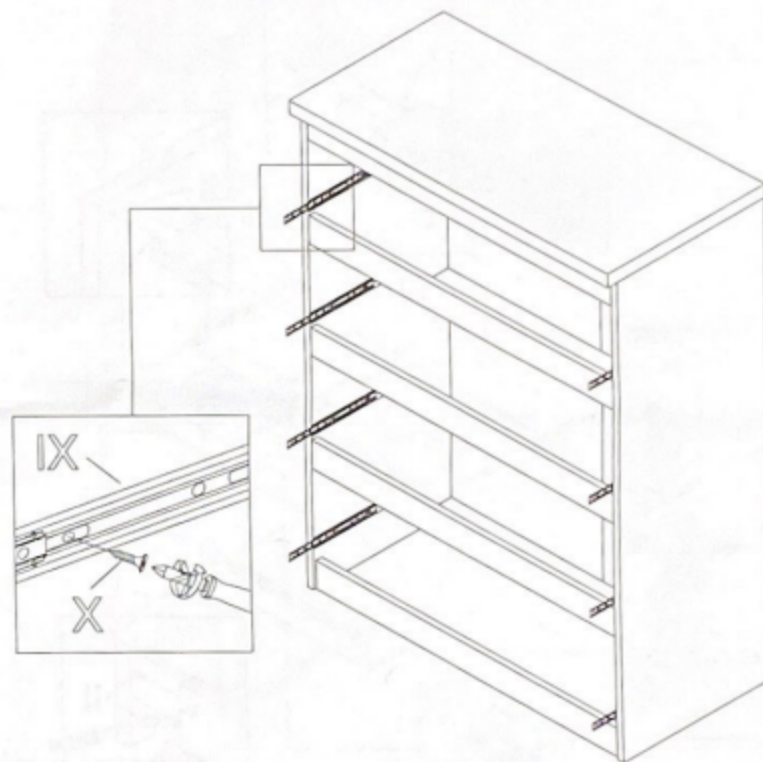
Insert 4x pin (II pin) into top panel [J]. Slot together with the rest of the cabinet. Place 4x locking nuts (II nut) into holes in connecting part and tighten with screwdriver.



Fasten top panel in the place using 2x screw (VIII) in the holes in panel [G].



STEP 6

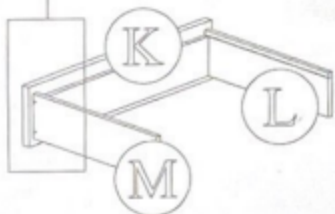
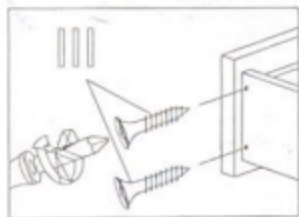


Attach 4x slide rails (IX) in place on each of the panels [A] [H] using 3x 12mm small screws (X) in each rail bracket. Fasten all screws.

STEP 7

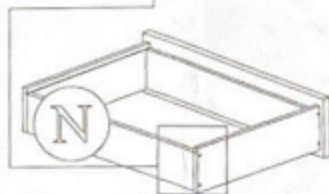
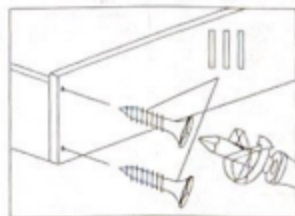
STEP (A)

Attach panels [L] [M] into panels [K] screw with 4x screw (III) with screwdriver.



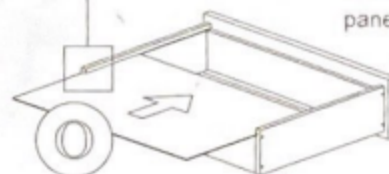
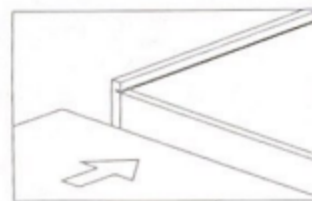
STEP (B)

Join panel [N] with the drawer by 4x screw (III).



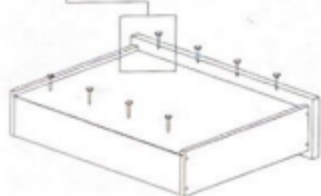
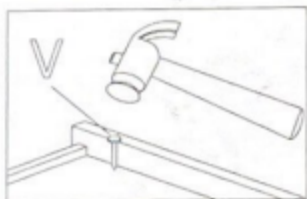
STEP (C)

Slide the base panel [O] to place in the grooves in drawer side panels.



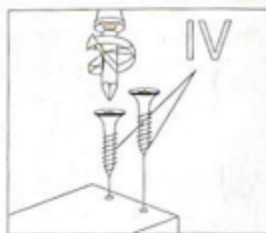
STEP (D)

Using 8x Nail (V) as shown with a hammer.



STEP (E)

Attach panel [P] into base panel of drawer screw with 4x screw (IV).



STEP (F)

Attach 2x rail component (IX) to both left and right of the drawer using 3x screw (X) in each rail.

