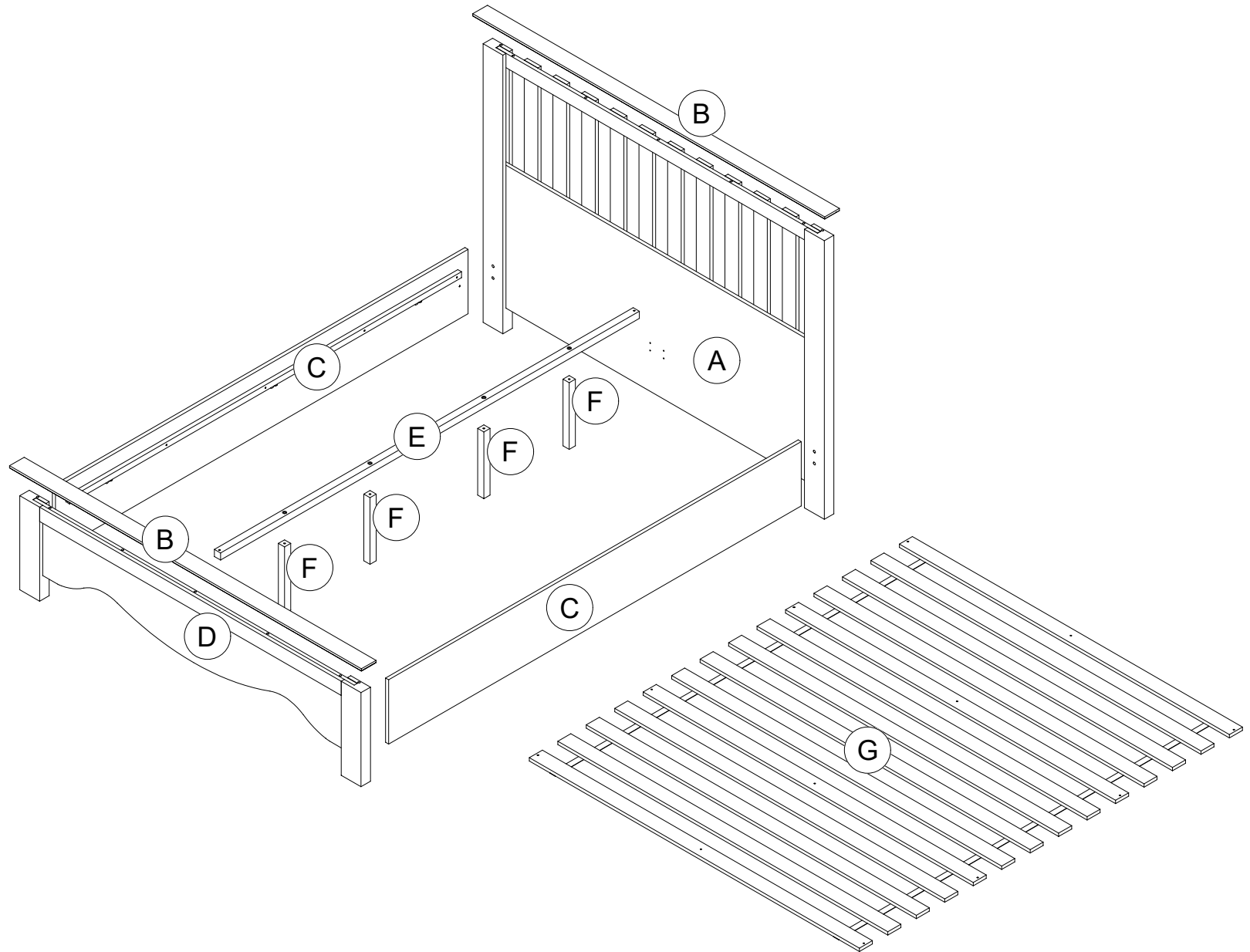


PART LIST

CODE	QTY
A	1
B	2
C	2
D	1
E	1
F	4
G	14





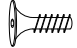


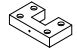







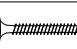


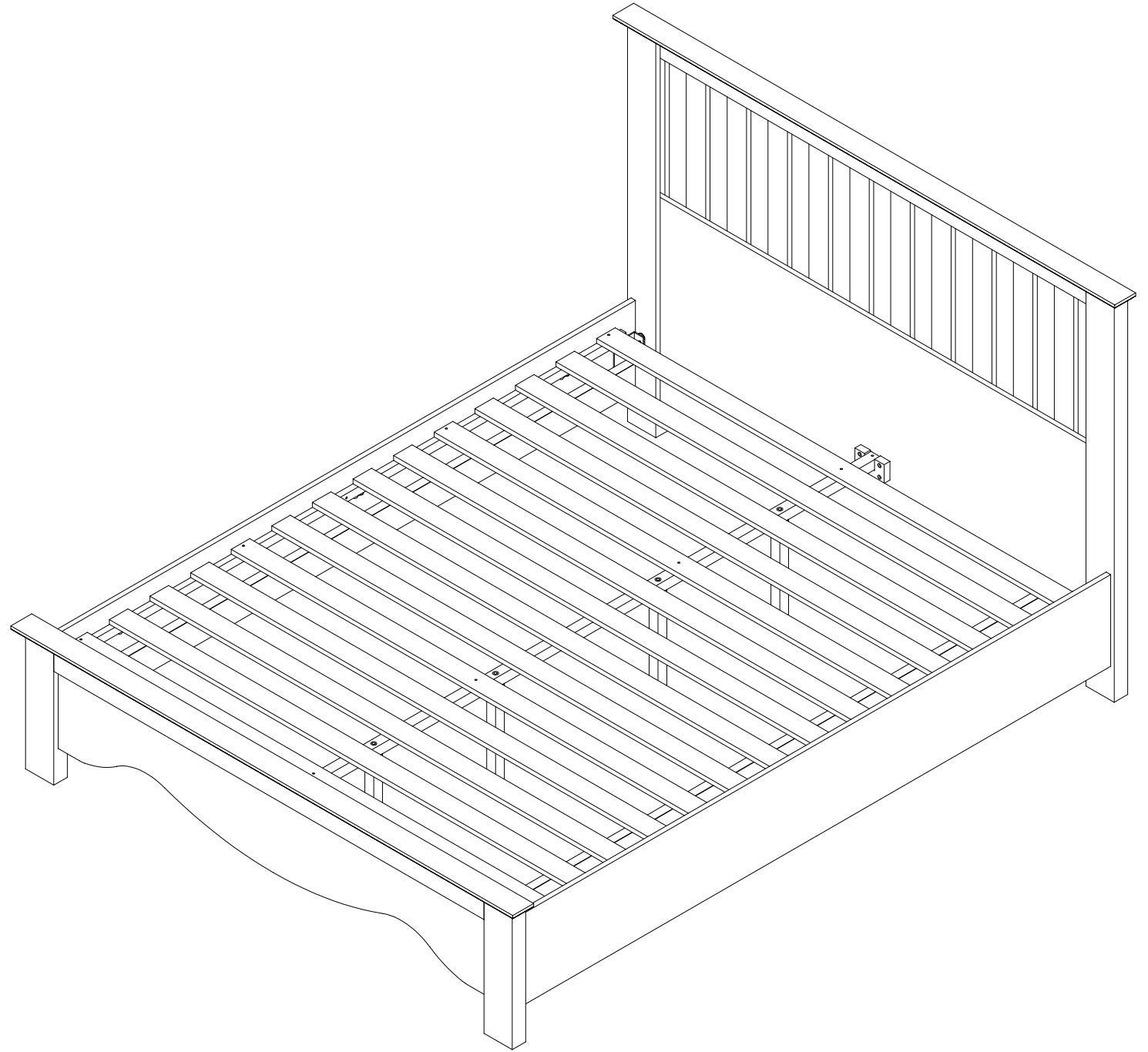
ASSEMBLY INSTRUCTIONS

DO NOT FULLY TIGHTEN ANY BOLTS BEFORE ALL PARTS ARE LOOSELY ASSEMBLED. THE PRODUCT/FITTINGS MAY BE DAMAGED IF OVERTIGHTENED. BEWARE OF CROSS THREADING SCREWS AND BOLTS DURINGS ASSEMBLY. SMALL COMPONENT PARTS COULD CHOKE A CHILD IF SWALLOWED. WE STRONGLY RECOMMEND THAT YOU KEEP CHILDREN AWAY FROM THE WORK AREA.

WALDEN QUEEN BED

HARDWARE LIST

1		Wood Dowel $\phi 8 \times 30 \text{mm}$	4 pcs
2		Minifix Bolt	10 pcs
3		Minifix Cam	10 pcs
4		Bed Hinge Plate	4 pcs
5		JCBC Screw $\phi 8 \times 12 \text{mm}$	8 pcs
6		Allen Key M5	1 pc
7		Screw $\phi 3.5 \times 16 \text{mm}$	36 pcs
8		U Block	2 pcs
9		Screw $\phi 4 \times 30 \text{mm}$	20 pcs
10		Rubber Leg With Pin	4 pcs
11		JCBC Screw $\phi 6 \times 50 \text{mm}$	4 pcs
12		Allen Key M4	1 pc
13		Adjust Screw $\phi 6 \times 23 \text{mm}$	4 pcs
14		Bed Hinge - R	2 pcs
15		Bed Hinge - L	2 pcs
16		Screw $\phi 4.5 \times 45 \text{mm}$	2 pcs



Minifix Setup :



STEP 1
UNLOCK

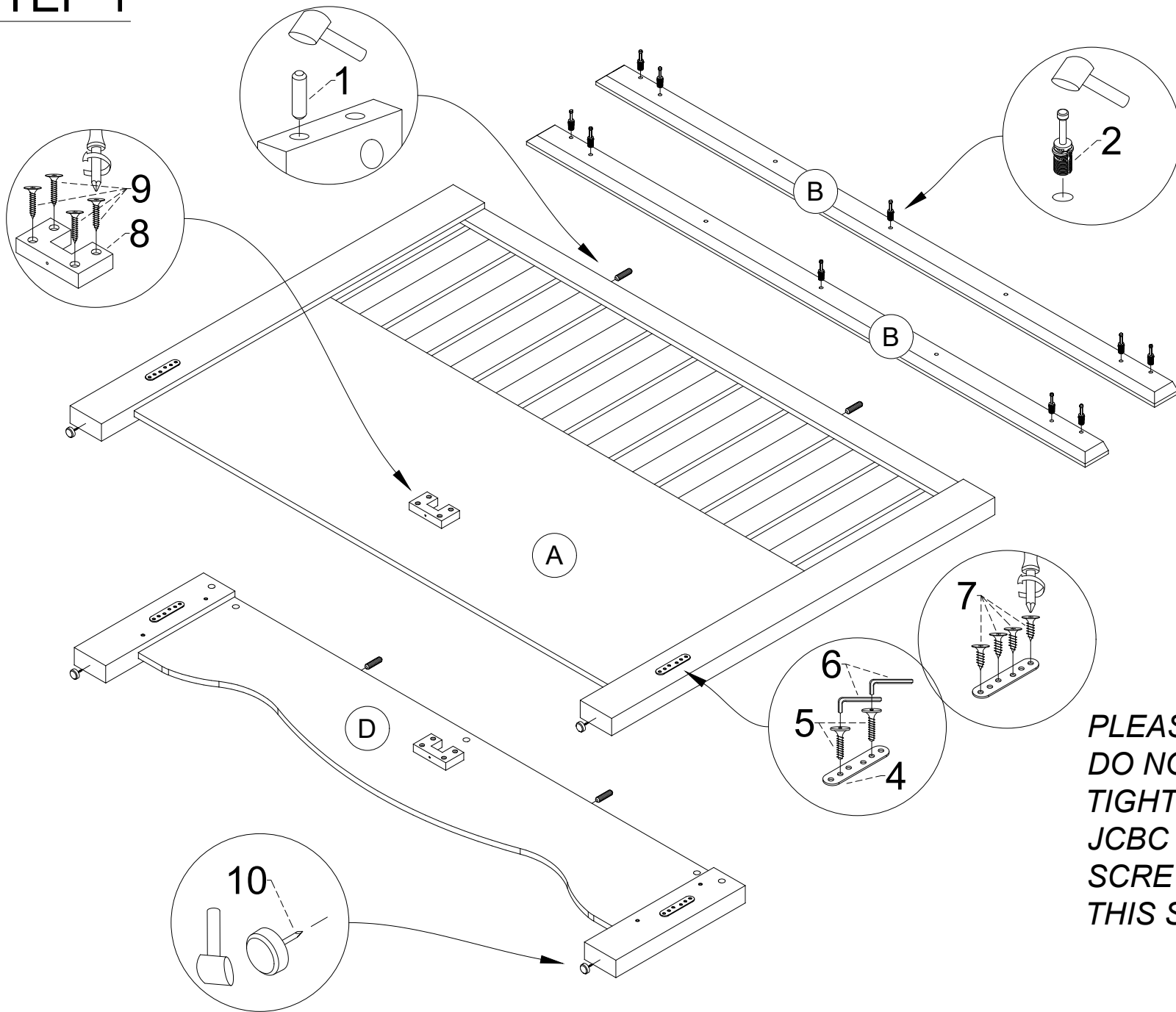


STEP 2



STEP 3
LOCK


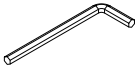

STEP 1

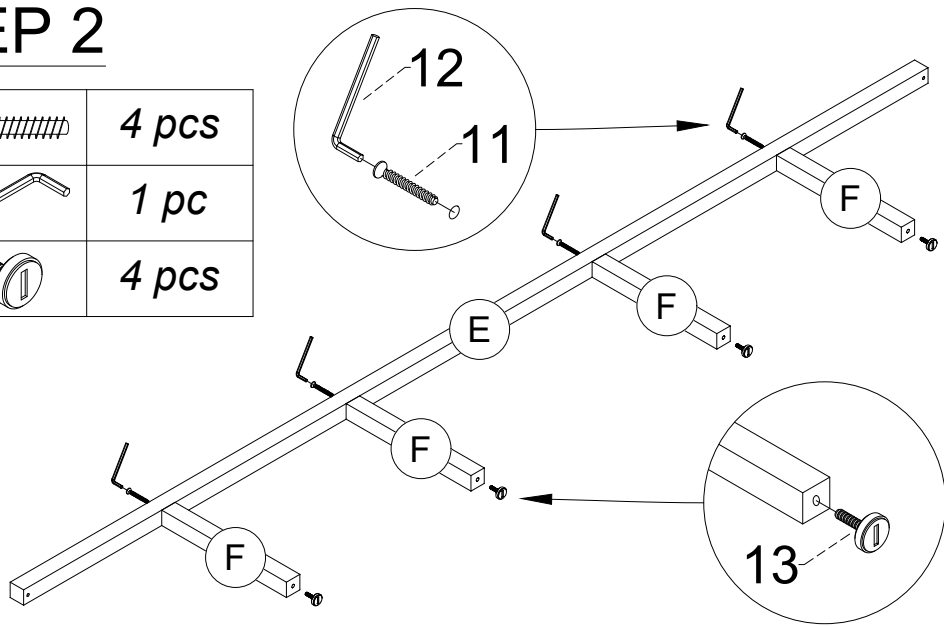


1		4 pcs
2		10 pcs
4		4 pcs
5		8 pcs
6		1 pc
7		16 pcs
8		2 pcs
9		8 pcs
10		4 pcs

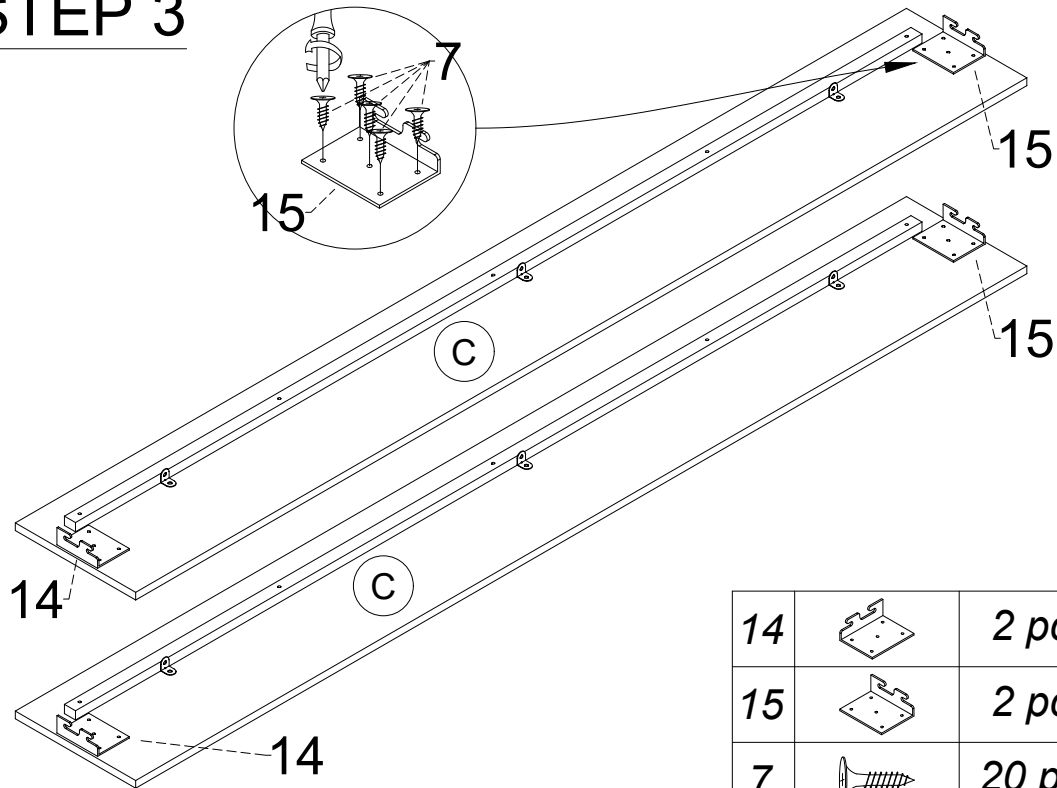
**PLEASE
DO NOT
TIGHTEN
JCBC
SCREW IN
THIS STEP**

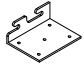
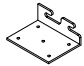
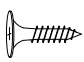
STEP 2

11		4 pcs
12		1 pc
13		4 pcs



STEP 3



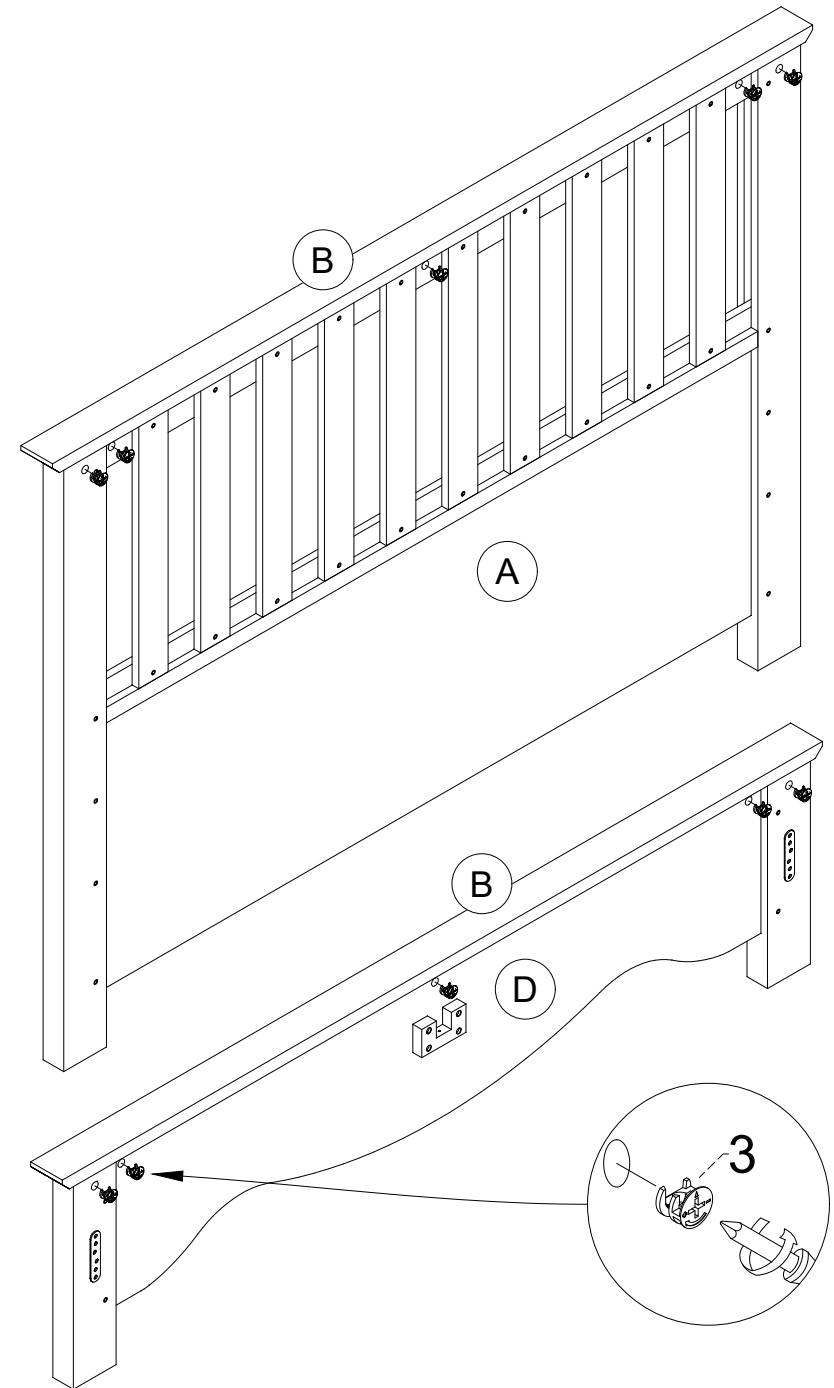
14		2 pcs
15		2 pcs
7		20 pcs

STEP 4

3

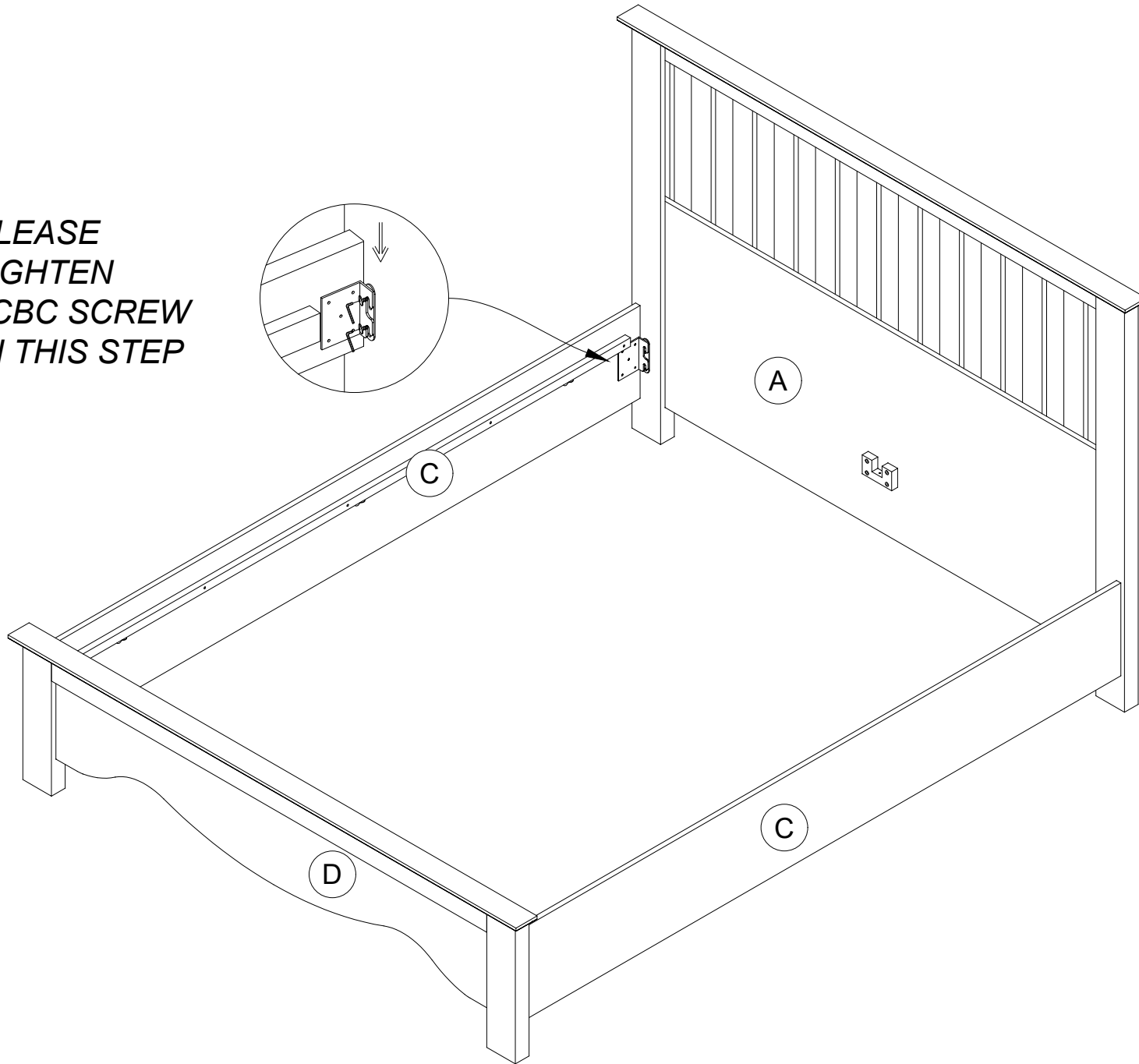


10 pcs



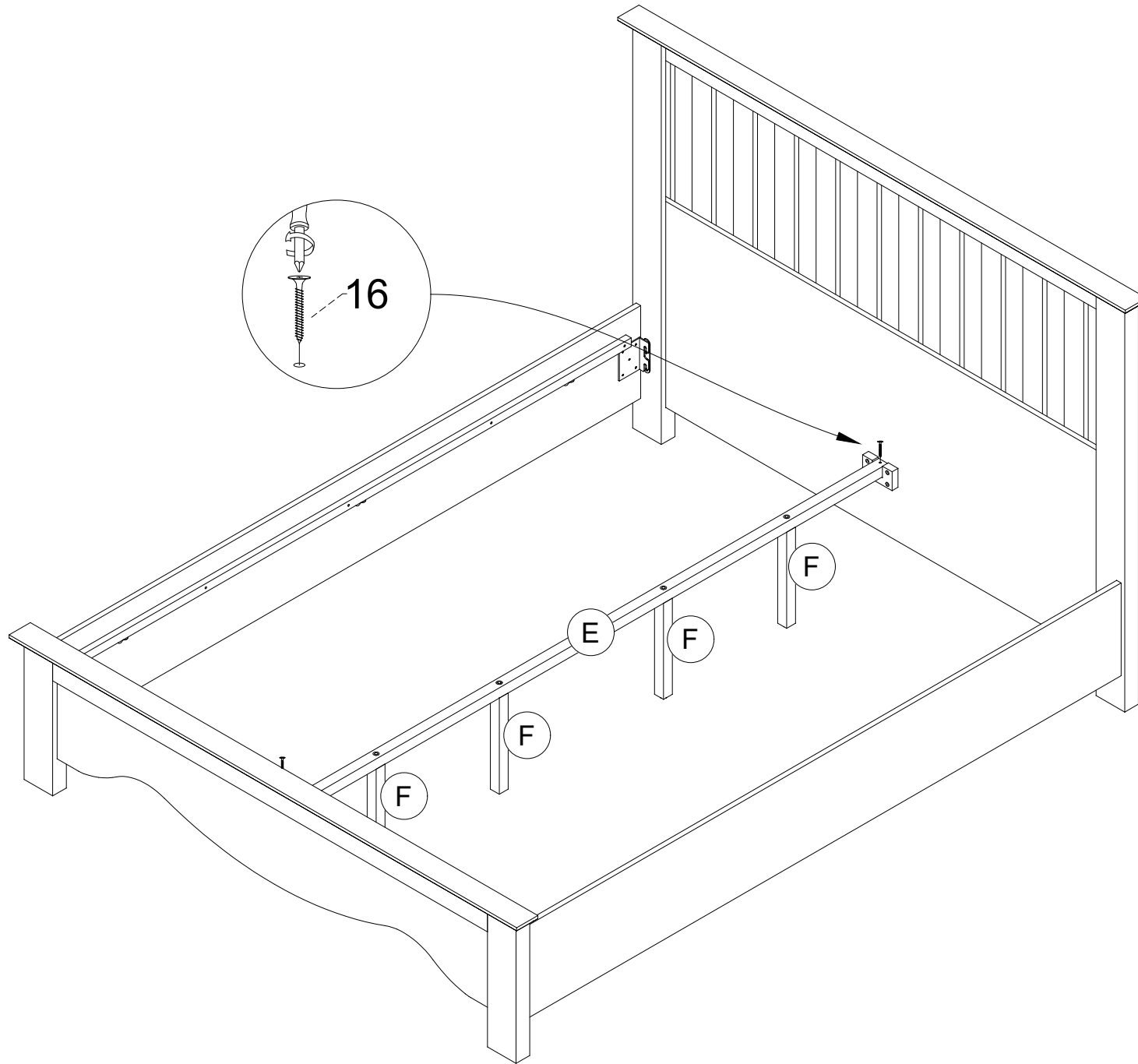
STEP 5

*PLEASE
TIGHTEN
JCBC SCREW
IN THIS STEP*



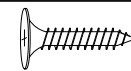
STEP 6

16  2 pcs

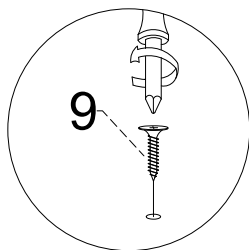
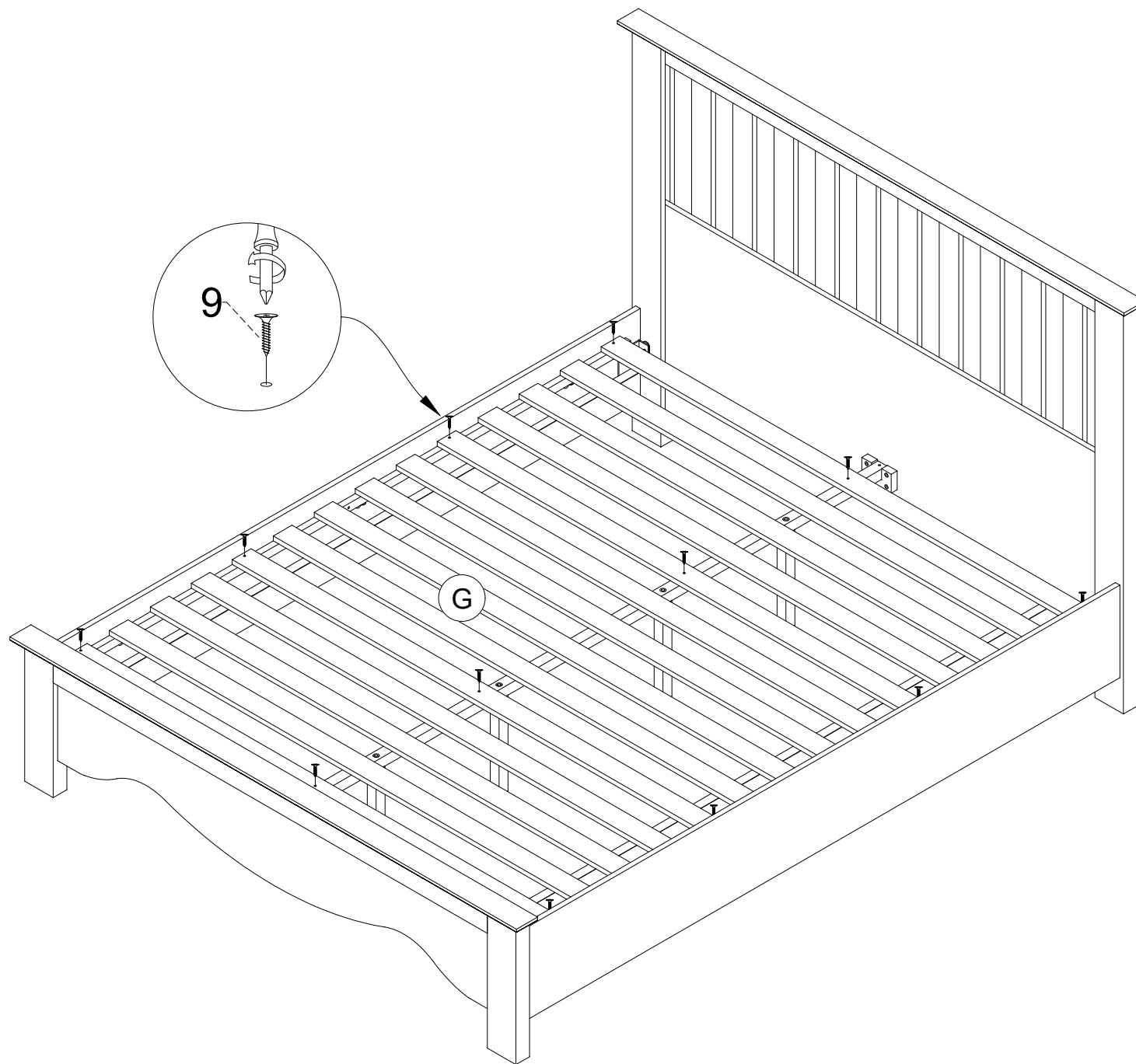


STEP 7

9



12 pcs



G