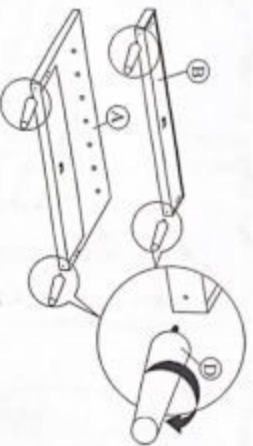


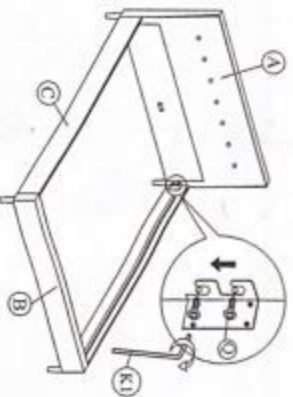
ASSEMBLY INSTRUCTION

MODEL : CF 9148 (S)

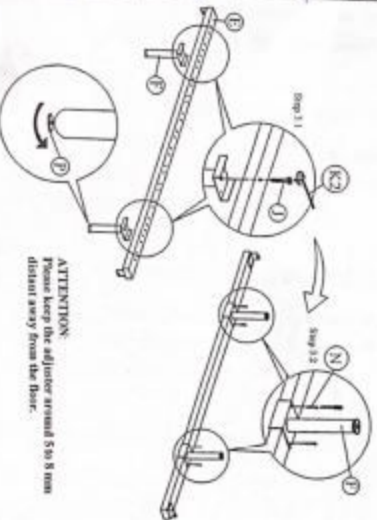
Step 1 : Insert the top (D) to forehead (B) and headboard (A).



Step 2 : Attach side rail (C) to forehead (B) and headboard (A) by pushing the bracket down to fit it.

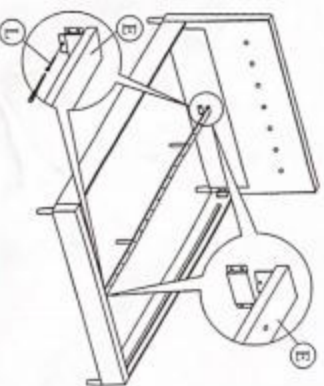


Step 3 : Attach the support legs (F) to the center rail (E) of the bed as shown.



ATTENTION:
Please keep the adjuster around 5 to 8 mm distant away from the base.

Step 4 : Slide the central (D) to the headboard (A) and footboard (B). Tighten screws (L) using screw driver (not included) to the headboard (A) and footboard (B).



Attention : Please ensure that (L) screw is being attach as per the A1 shows to avoid base being collapse.

A	Headboard	1 pc
B	Footboard	1 pc
C	Side Rail	2 pcs
D	Top Rail	4 pcs
E	Center Rail	1 pc
F	Support Leg	2 pcs
G	Slat	28 pcs
H	Washer Slides	14 pcs
I	Ball Holder	28 pcs
J	Adjuster	2 pcs
K	K1: Nut x 5mm, 4M x 10mm K2: Washer	1 pc
L	CR1.6M x 15mm	2 pcs
M	CR1.6M x 15mm	6 pcs
N	CR1.6M x 15mm	4 pcs
O	Adjuster (1.1 Item)	2 pcs
P	Adjuster	2 pcs
Q	CR3.6M x 24	8 pcs

Step 5 : Affix the Stiffener Slat (O) to the side rail support wood and the center rail (E). Tighten all the 4 corner, follow by assembly of the slat holders with L.VL slats as shown.

