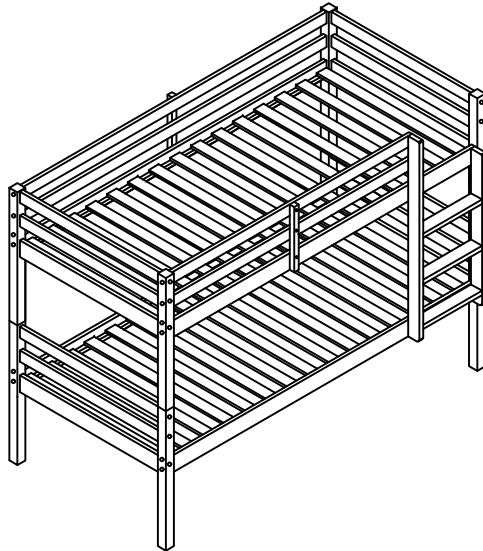




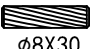
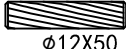


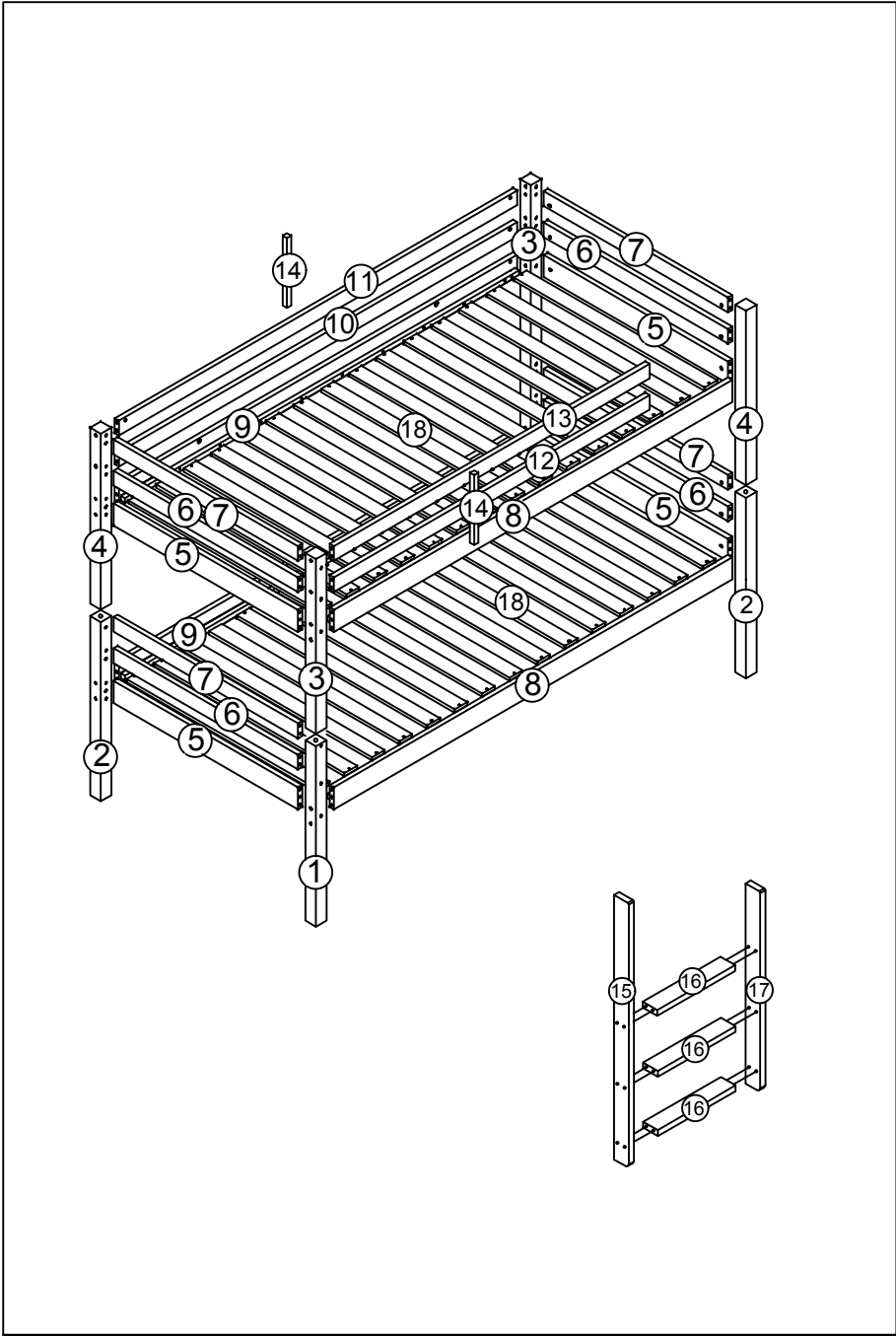


Assembly Instructions

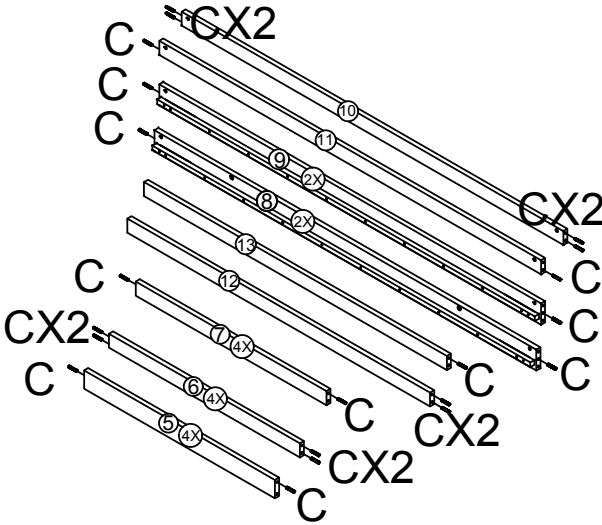



HARDWARE

A	 M6X90mm	35	E	 M4X35mm	14
B	 M6	35	F	 M4X30mm	56
C	 $\phi 8 \times 30$	49	G	 $\phi 12 \times 50$	4
D	 $\phi 6 \times 50 \text{mm}$	18	H		1

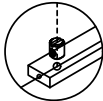
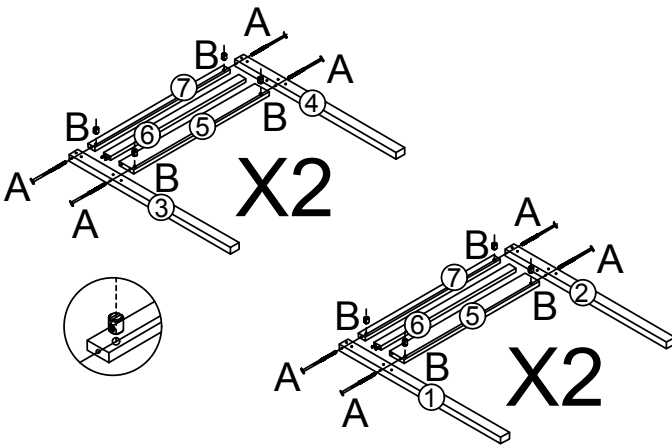



1 Insert 49X small dowel (C) into panel [5] [6] [7] [8] [9] [10] [11] [12] [13] as below.



C	 $\varnothing 8 \times 30$	49
---	---	----

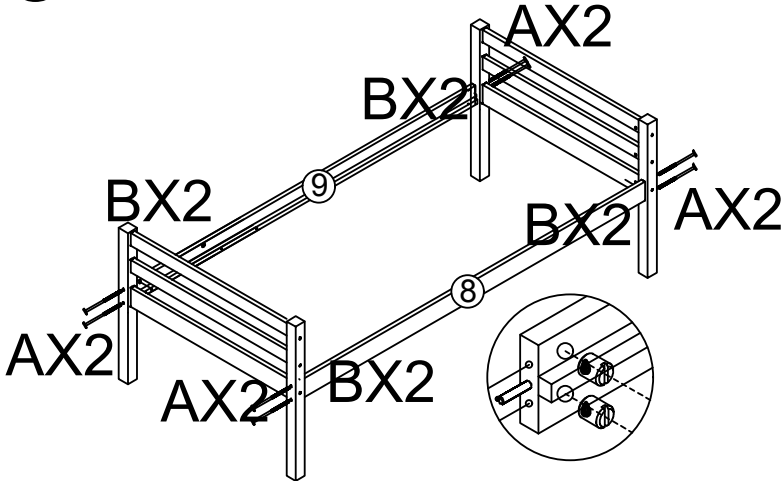
2 Attach bar [3][4] to panel [5][6][7] and secure with 8x socket screw (A) and nut (B). Attach bar [1][2] to panel [5][6][7] and secure with 8x socket screw (A) and nut (B). The other one is the same.





A	 $M6 \times 90mm$	16
B	 M6	16

3

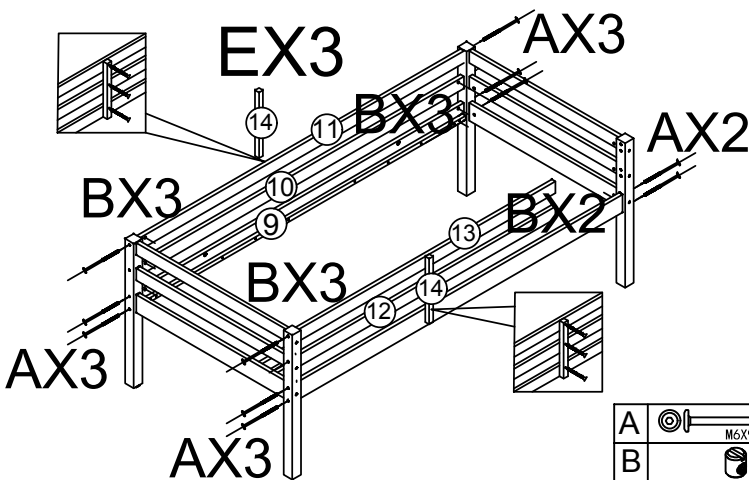
Attach headboards [1][2] to side board [8][9] and secure with 8x socket screw (A) and nut (B).



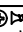


A		M6X90mm	8
B		M6	8

4

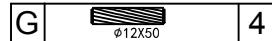
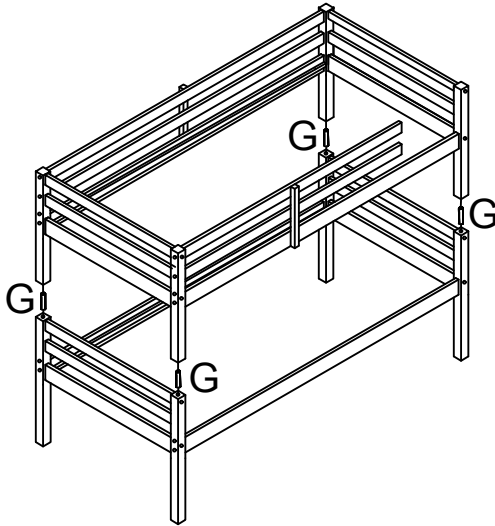
Attach headboards [3][4] to side board [8][9][10][11][12][13] and secure with 11x socket screw (A) and nut (B) as below. Attach bar [14] to panel [9][10][11] with 3x screw (E); attach bar [13] to panel [8][12][13] with 3x screw (E).



A		M6X90mm	11
B		M6	11
E		M4X35mm	6

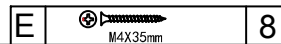
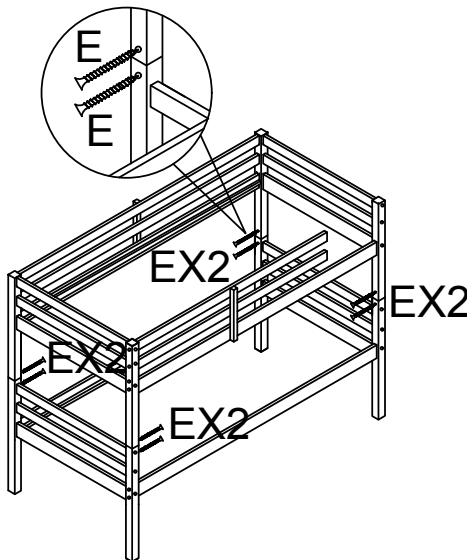
5

Connect the two beds with 4x big dowel (G).

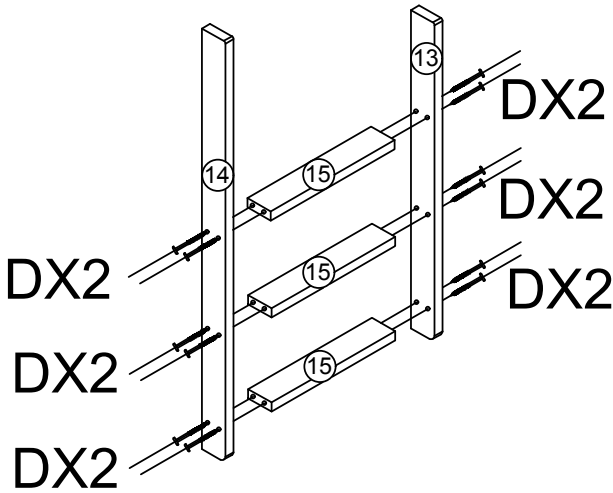


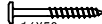
6

Secure the two beds with 2x screw (E) in each connection.

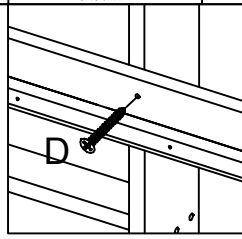
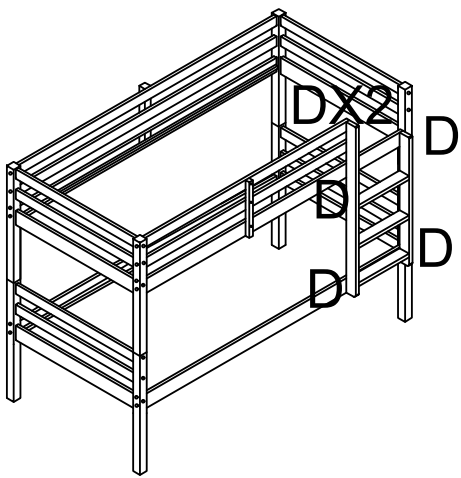


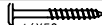
7 Attach panel [13][14] to 3x panel [15] and secure with 12x socket screw (D).



D	⊙		12
			⌀6x50mm

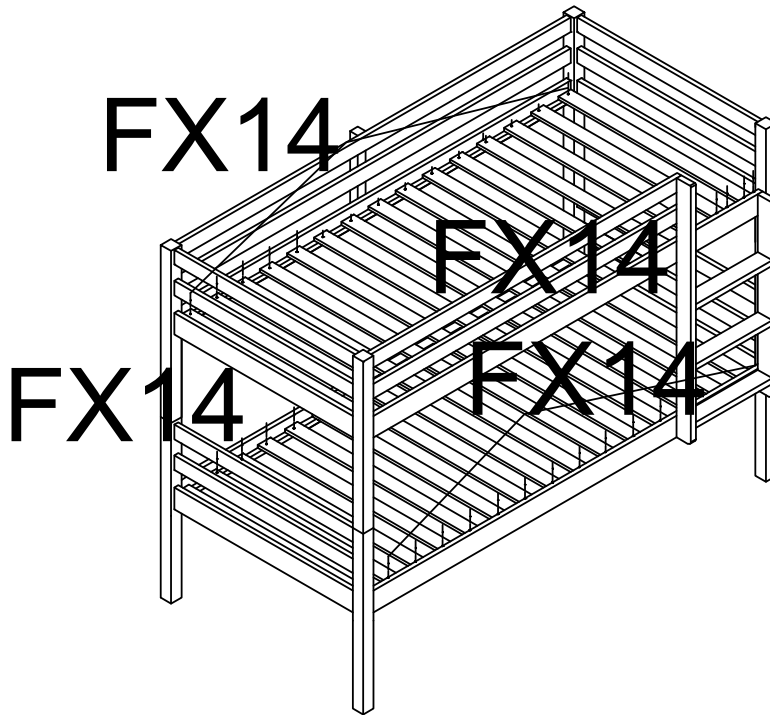
8 Attach the ladder to the bed and secure with 6x screw (D).



D	⊙		6
			⌀6x50mm

9

Install the slats to connect the side boards with 56x screw (F).



10

This product can be split up into two beds.

