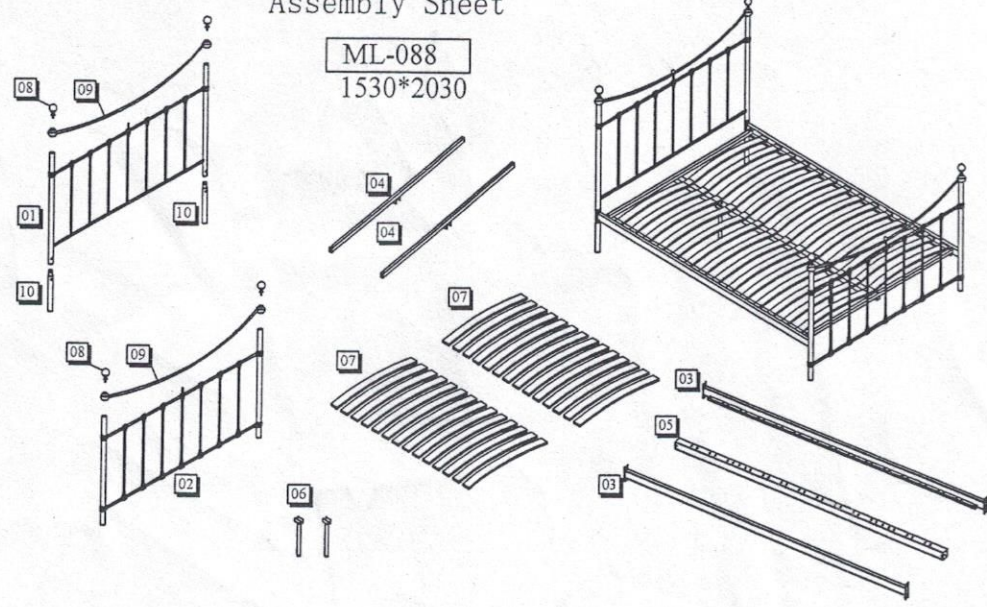


Assembly Sheet

ML-088  
1530\*2030

Parts check list		
NO	Specification	QTY
01	Headboard	1
02	Footboard	1
03	Side rail	2
04	Horizontal pipe	2
05	Intermedium tube	1
06	Supporting leg	2
07	Bentwood slat	28
08	Ball sets	4
09	Bent Pipe	2
10	Extension leg	2



Hardware list

A  M6 x 20MM 6 PCS	C  M6 x 35MM 6 PCS	E  钢珠 2 PCS	G  CENTER SLAT STOPPER 14 PCS	I  4 x 4MM 2 PCS
B  M6 x 30MM 4PCS	D  M6 10 PCS	F  M6 x 40MM 2 PCS	H  SIDE SLAT STOPPER 28 PCS	J  tube plug Ø19 2 PCS
				K  Ø38 4 PCS

