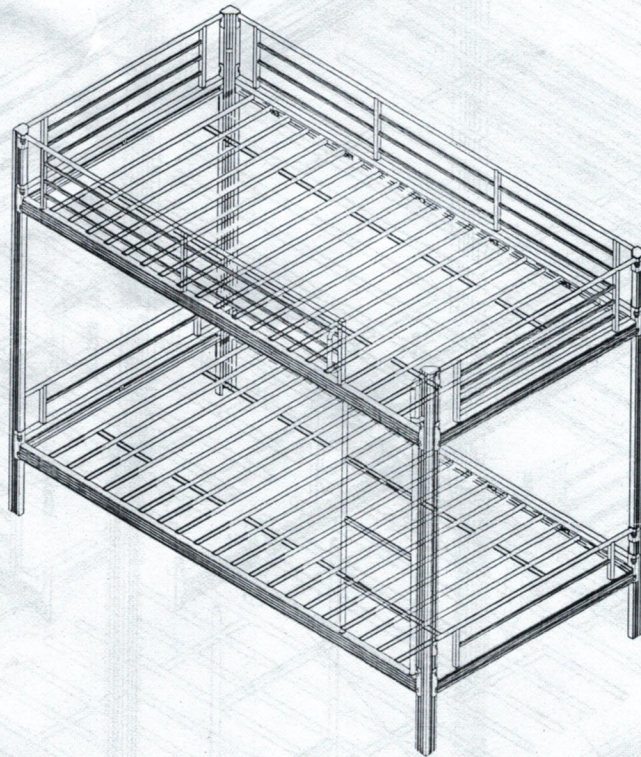


# ASSEMBLY INSTRUCTIONS

## 3' EASY FIX BUNK



Remarks: Two adults are required to assembly this bed.



**WARNING: TOP BUNKS AND ELEVATED BEDS ARE DANGEROUS AND ARE NOT RECOMMENDED FOR CHILDREN UNDER THE AGE OF 9**



Falls from elevated beds can be fatal and deaths have occurred where children have fall from elevated beds. This is relevant for all ages.

The risk is greater for younger children.

The risk of injury or death from a fall from an elevated bed compared to a non-elevated bed is

10 x greater for 7-8 years old

7x greater for 9-10 years old

3x greater for 11-12 years old

### IMPORTANT STATEMENT

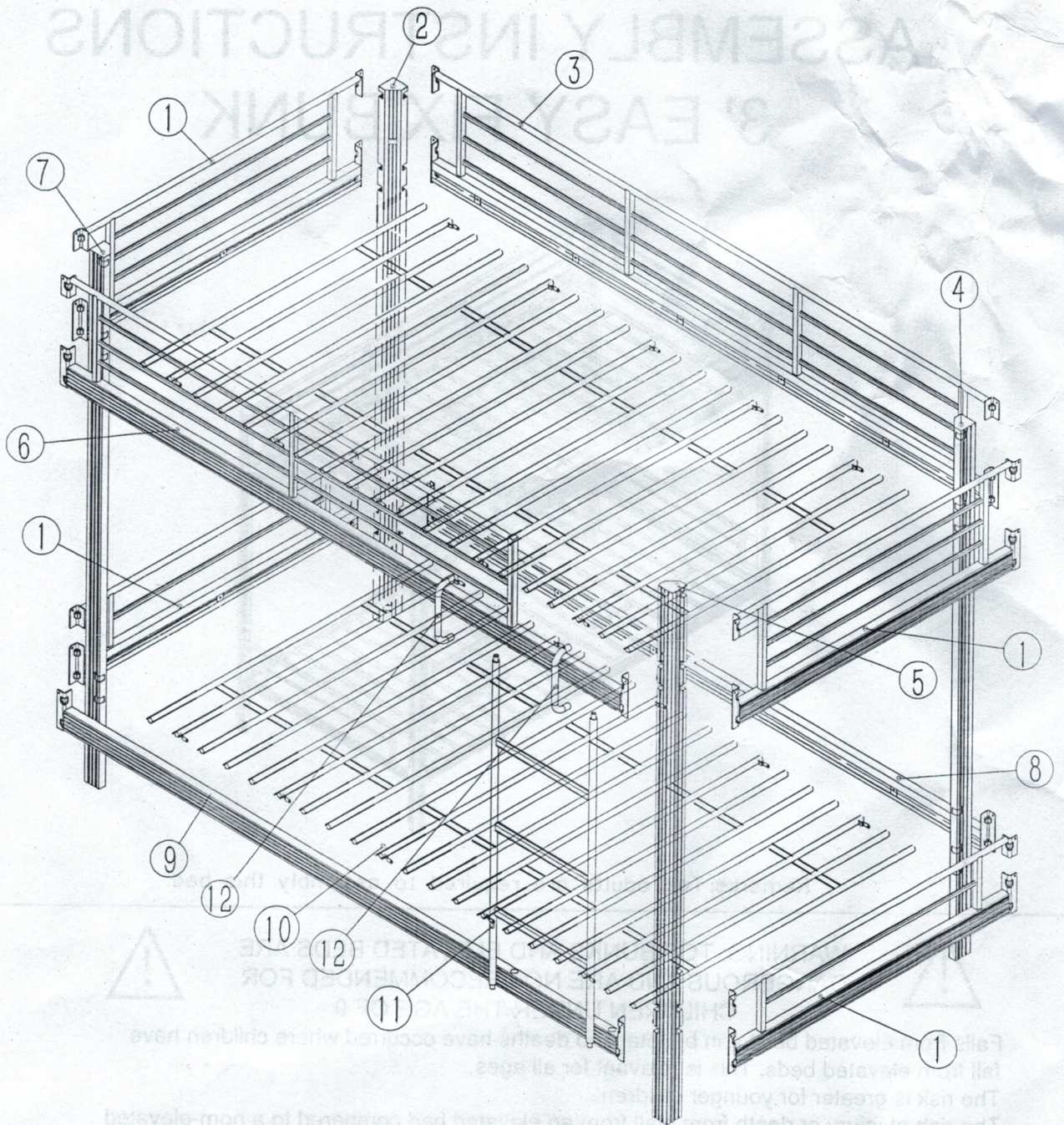
1. Children should be discouraged from playing on the bunk bed
2. The bunk bed should be checked periodically to ensure that the guardrail, access device and other components are maintained in the correct position and state of repair and that all connectors are tight.





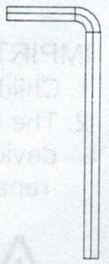


**WARNING: THE UPPER BUNK MUST BE MORE THAN 2 M FROM ANY CEILING FAN**



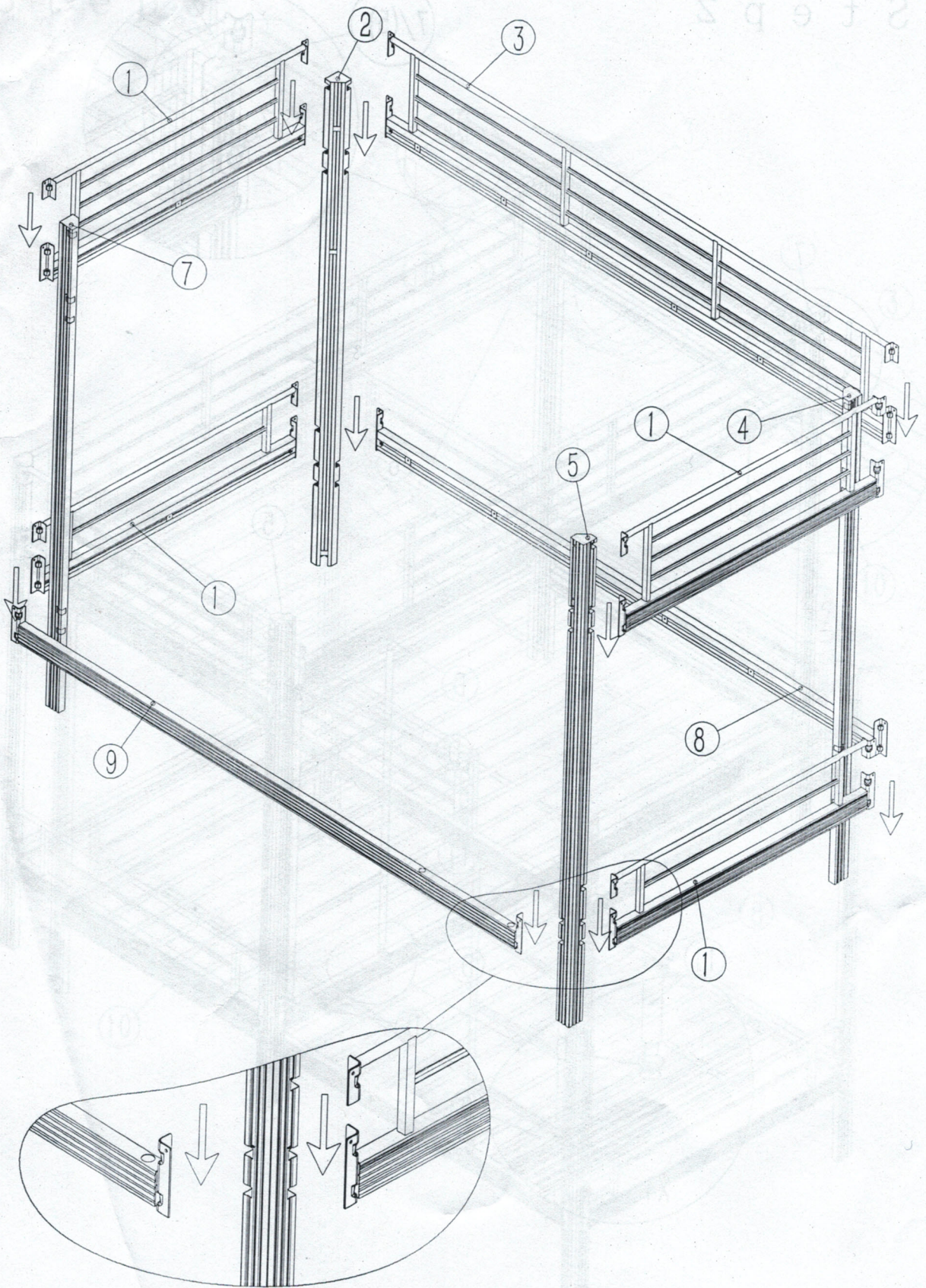




<p><b>A</b></p>  <p>M6X12 2PCS</p>	<p><b>B</b></p>  <p>M6X35 2PCS</p>	<p><b>C</b></p>  <p>36PCS</p>	<p><b>D</b></p>  <p>4PCS</p>	<p><b>E</b></p>  <p>1PCS</p>
---	---	--	---	---

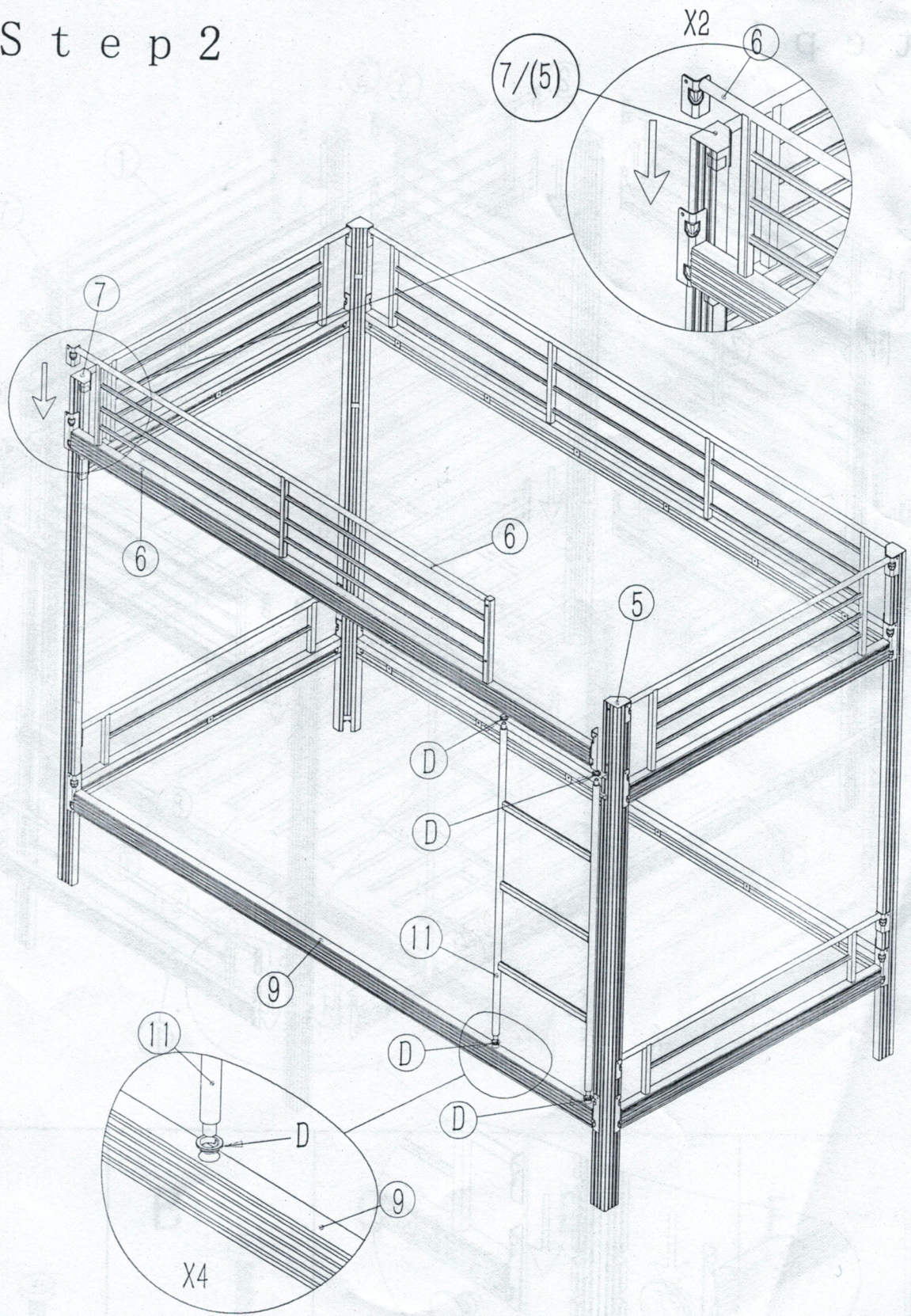


# Step 1



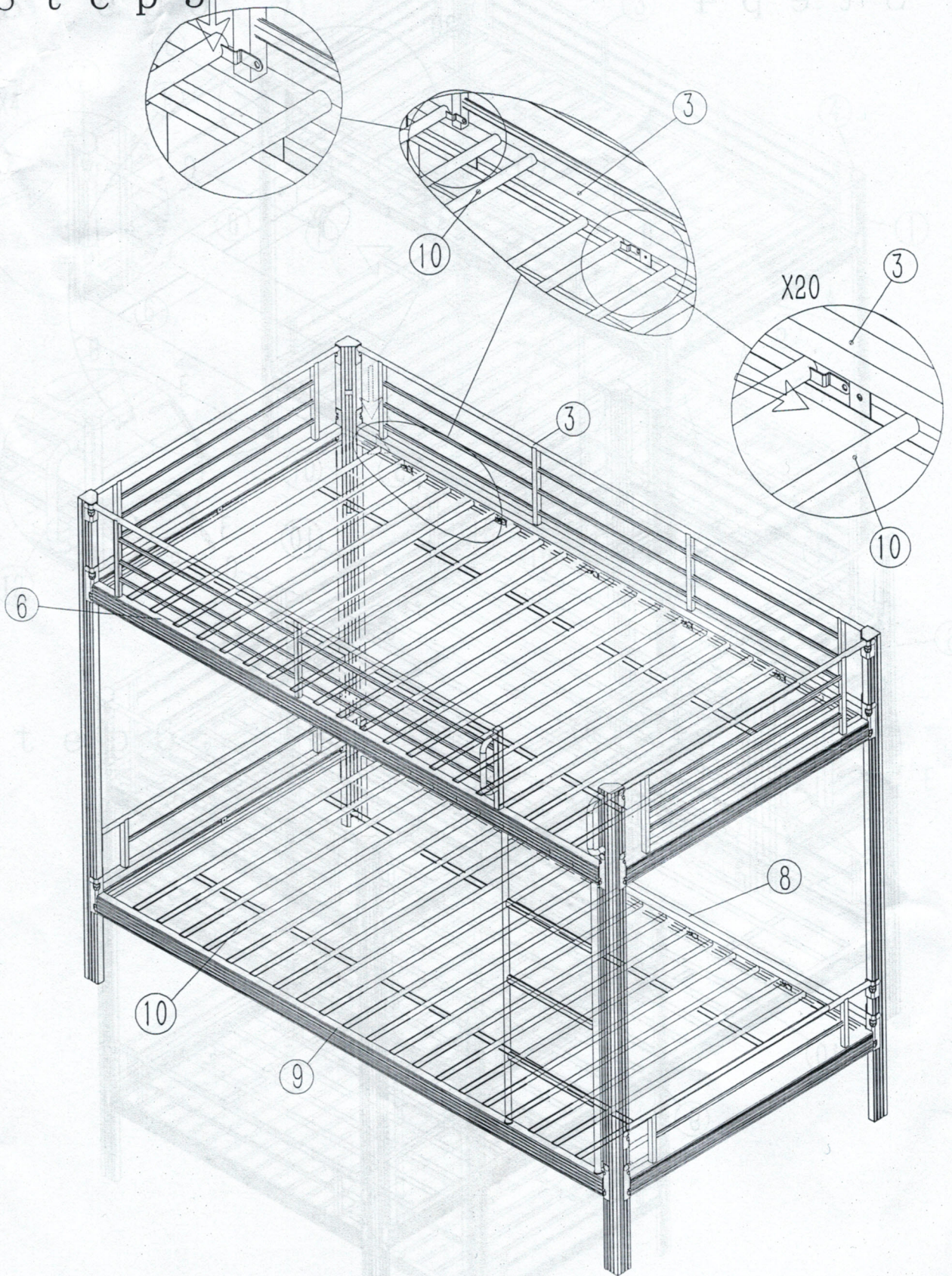


# Step 2



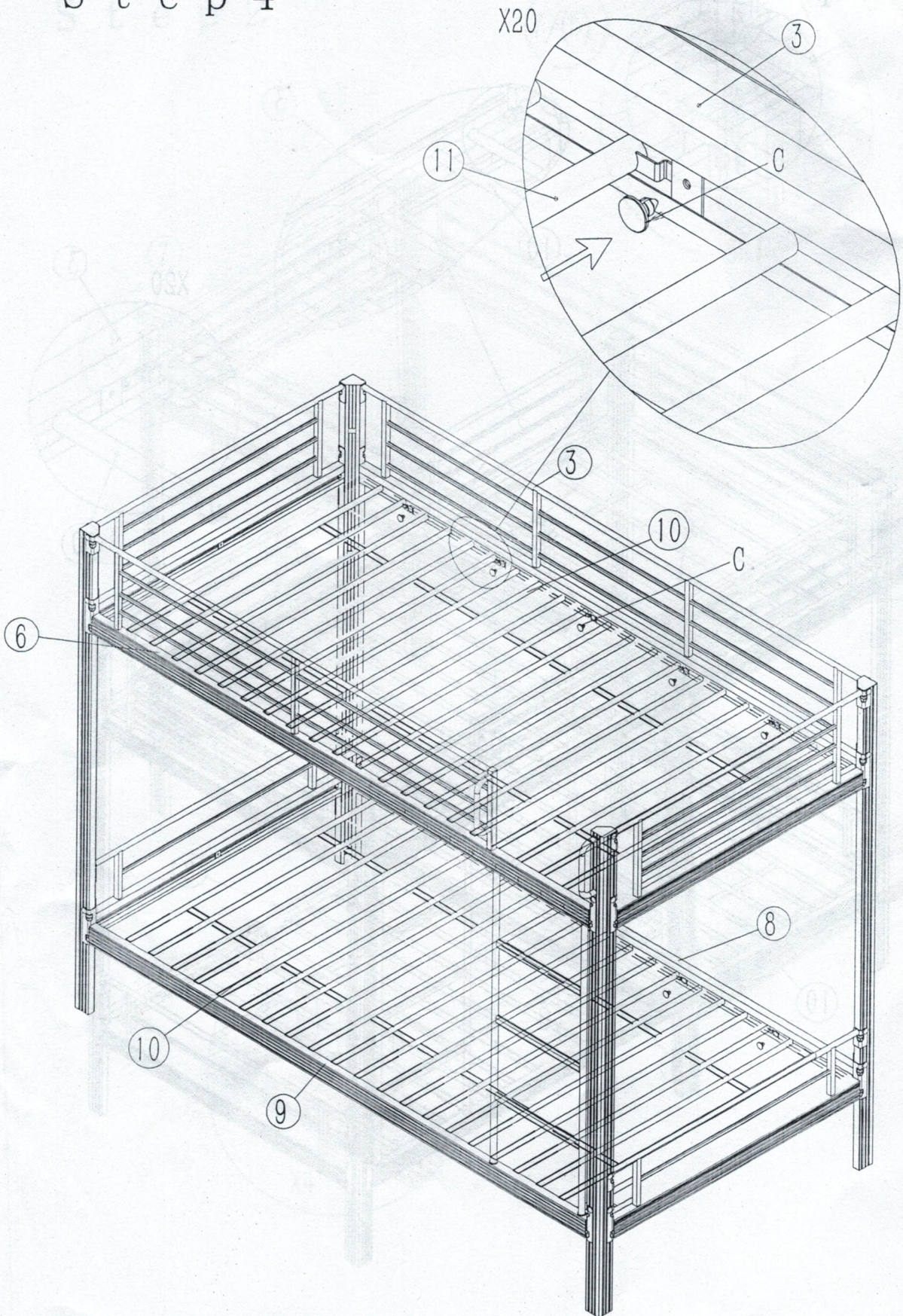


# Step 3



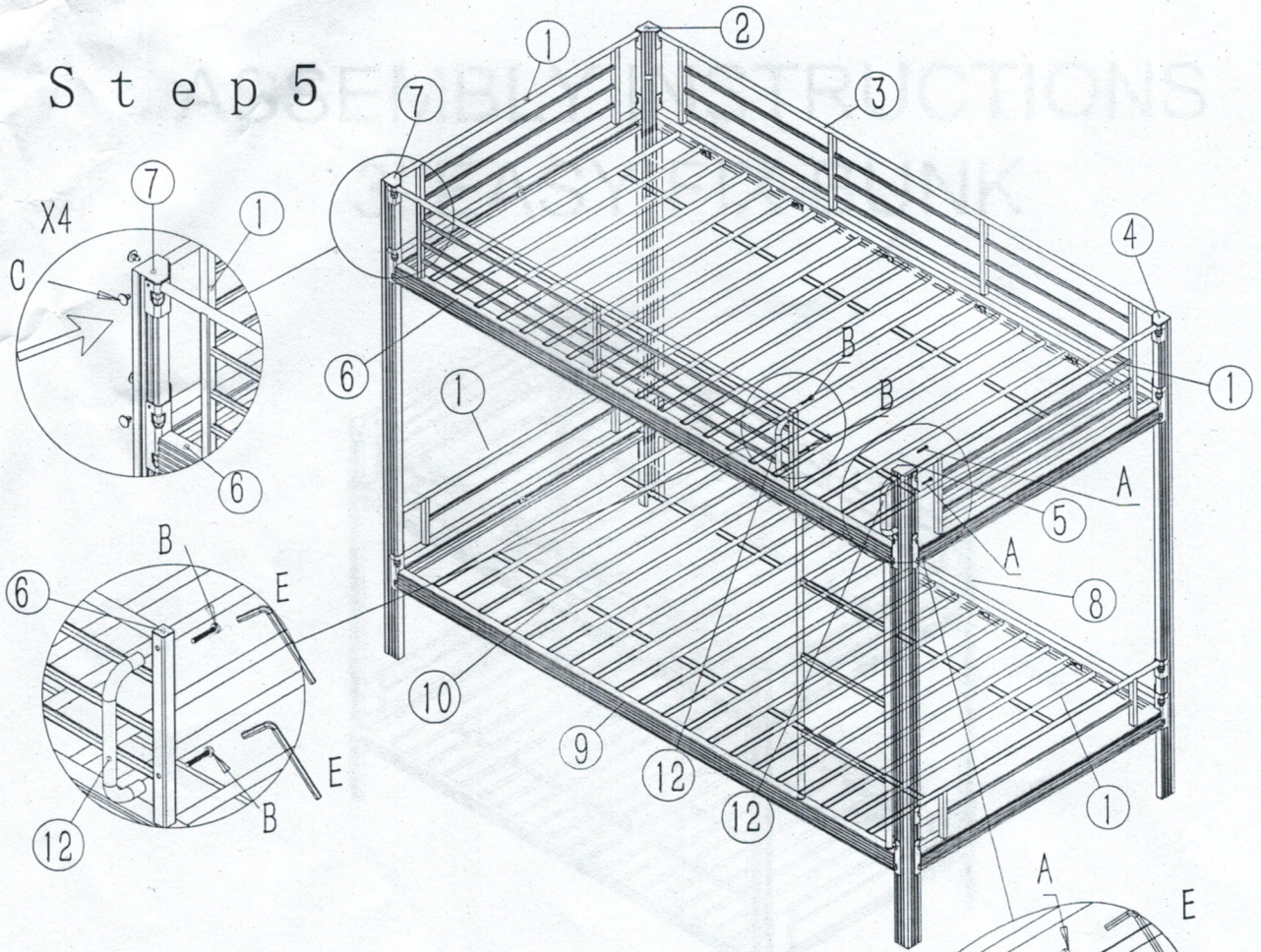


# Step 4





# Step 5



# Step 6

