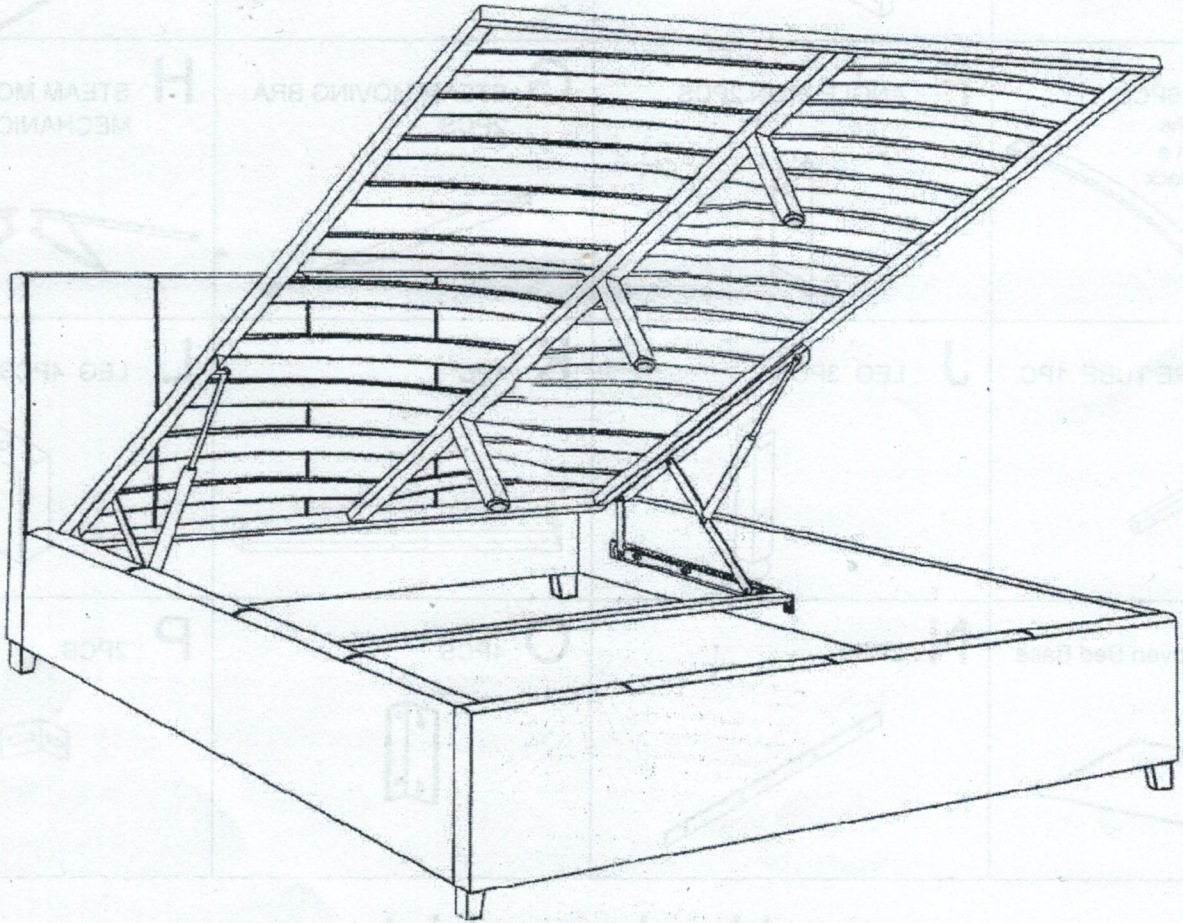
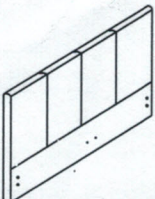
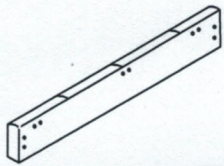
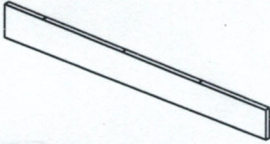
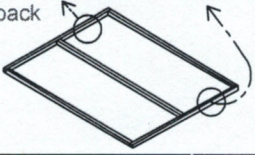
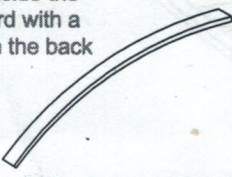
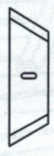
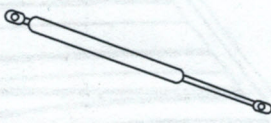
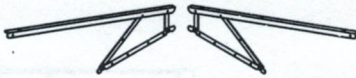
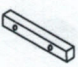
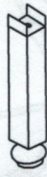
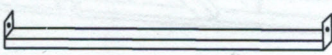
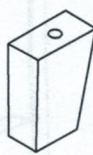

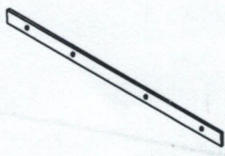







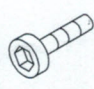













# BDS33 ASSEMBLY DIAGRAM



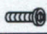
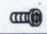

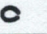

# Parts List

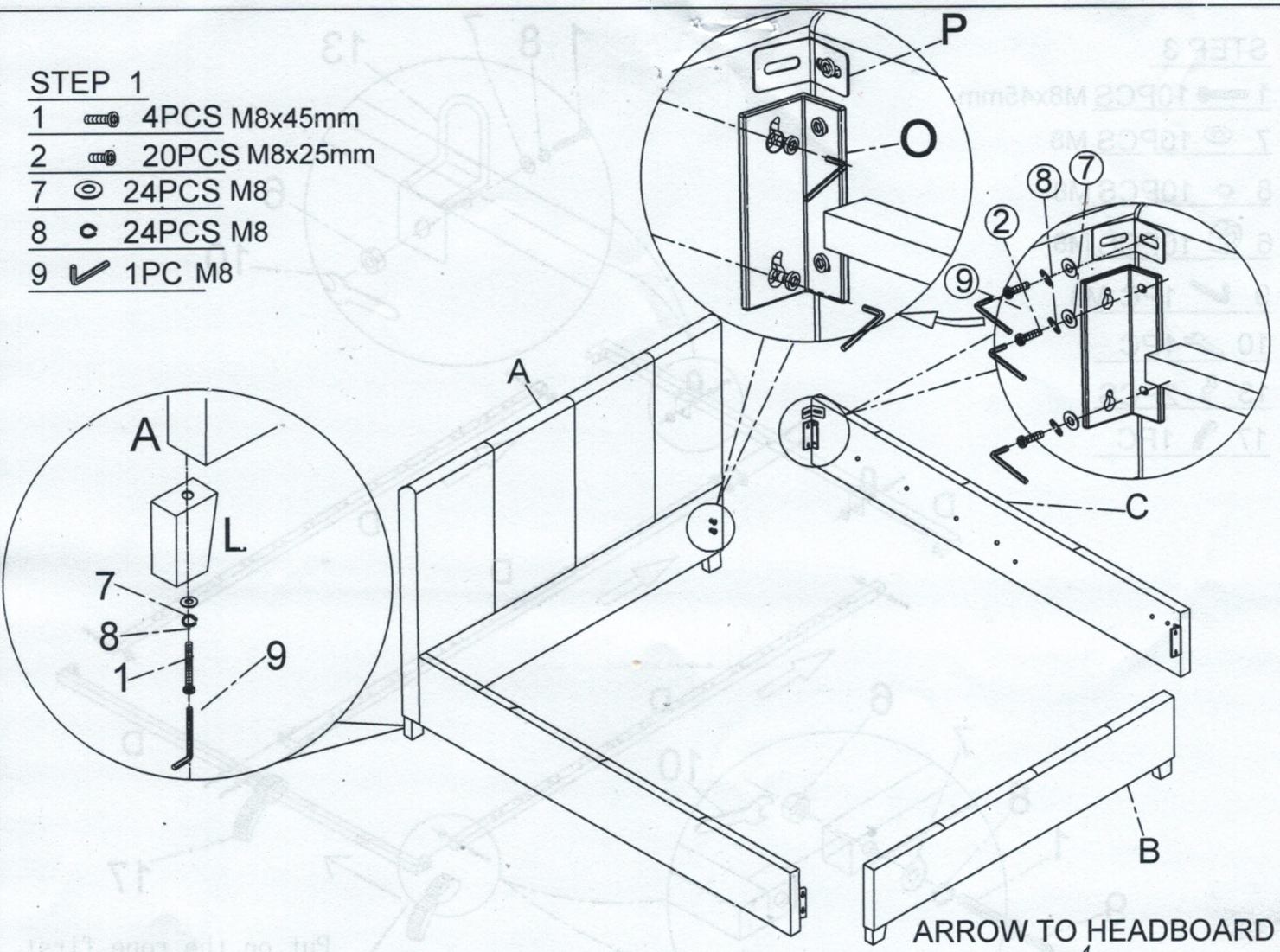
<b>A</b> : HEAD BOARD 1PC 	<b>B</b> : FOOT BOARD 1PC 	<b>C</b> : SIDE RAIL 2PCS 	<b>D</b> : BEDSTEAD KD 1SETS Two shorter iron frames: placed inside the headboard with a zipper on the back 
<b>E</b> : SLAT 26PCS Placed inside the headboard with a zipper on the back 	<b>F</b> : ANGLE IRON 2PCS 	<b>G</b> : STEAM MOVING BRA 2PCS 	<b>H</b> : STEAM MOVING MECHANICA 2PCS 
<b>I</b> : SQUARE TUBE 1PC 	<b>J</b> : LEG 3PCS 	<b>K</b> : 1PC 	<b>L</b> : LEG 4PCS 
<b>M</b> : Non-Moven Bed Base 1PC 	<b>N</b> : 2PCS 	<b>O</b> : 4PCS 	<b>P</b> : 2PCS 

# Hardware List

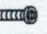

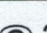
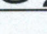
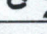


<b>1</b> : BOT 21PCS  M8x45mm	<b>2</b> : BOT 20PCS  M8x25mm	<b>3</b> : BOT 10PCS  M6x40mm	<b>4</b> : BOT 10PCS  M6x20mm	<b>5</b> : FLANGE NUT 4PCS  M6x10mm	<b>6</b> : NUT 14PCS 
<b>7</b> : FLAT WASHER 41PCS  M8	<b>8</b> : SPRING WASHER 41PCS  M8	<b>9</b> : ALLEN KEY 1PC  M8	<b>10</b> : SPANNER 1PC 	<b>11</b> : SLAT CAP 26PCS 	<b>12</b> : DOUBLE PLASTIC CAP 13 PCS 
<b>13</b> : ANGLE IRON 2PCS 	<b>14</b> : ALLEN KEY 1PC  M6	<b>15</b> : FLAT WASHER 20PCS  M6	<b>16</b> : SPRING WASHER 20PCS  M6	<b>17</b> : 1PC 	

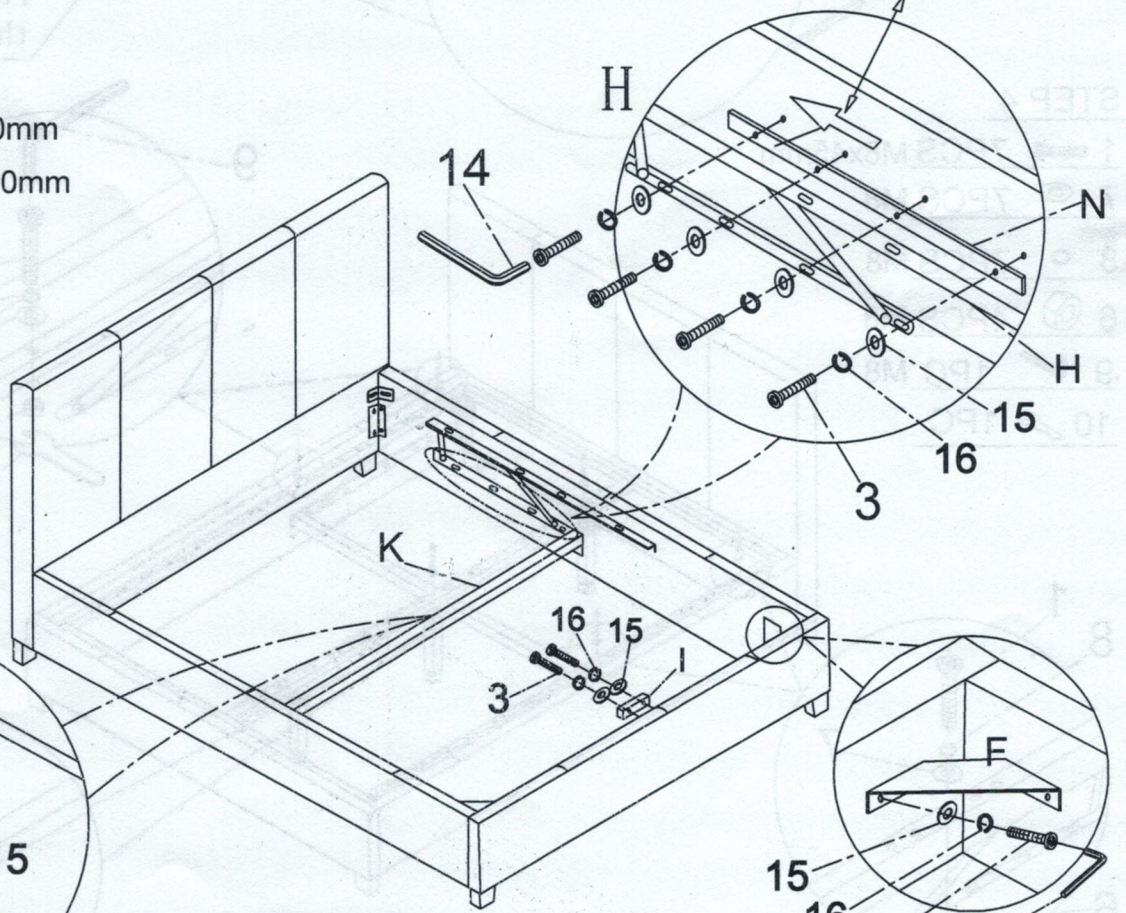
**STEP 1**

- 1  4PCS M8x45mm
- 2  20PCS M8x25mm
- 7  24PCS M8
- 8  24PCS M8
- 9  1PC M8



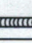
**STEP 2**


- 3  10PCS M6x40mm
- 4  10PCS M6x20mm
- 15  20PCS M6
- 16  20PCS M6
- F  2PCS
- 14  1PC M6
- I  1PC




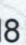
Assemble Hardware  
 I /instal steam moving mechanica  
 II /instal central support rail


**STEP 3**


1  10PCS M8x45mm


7  10PCS M8

8  10PCS M8

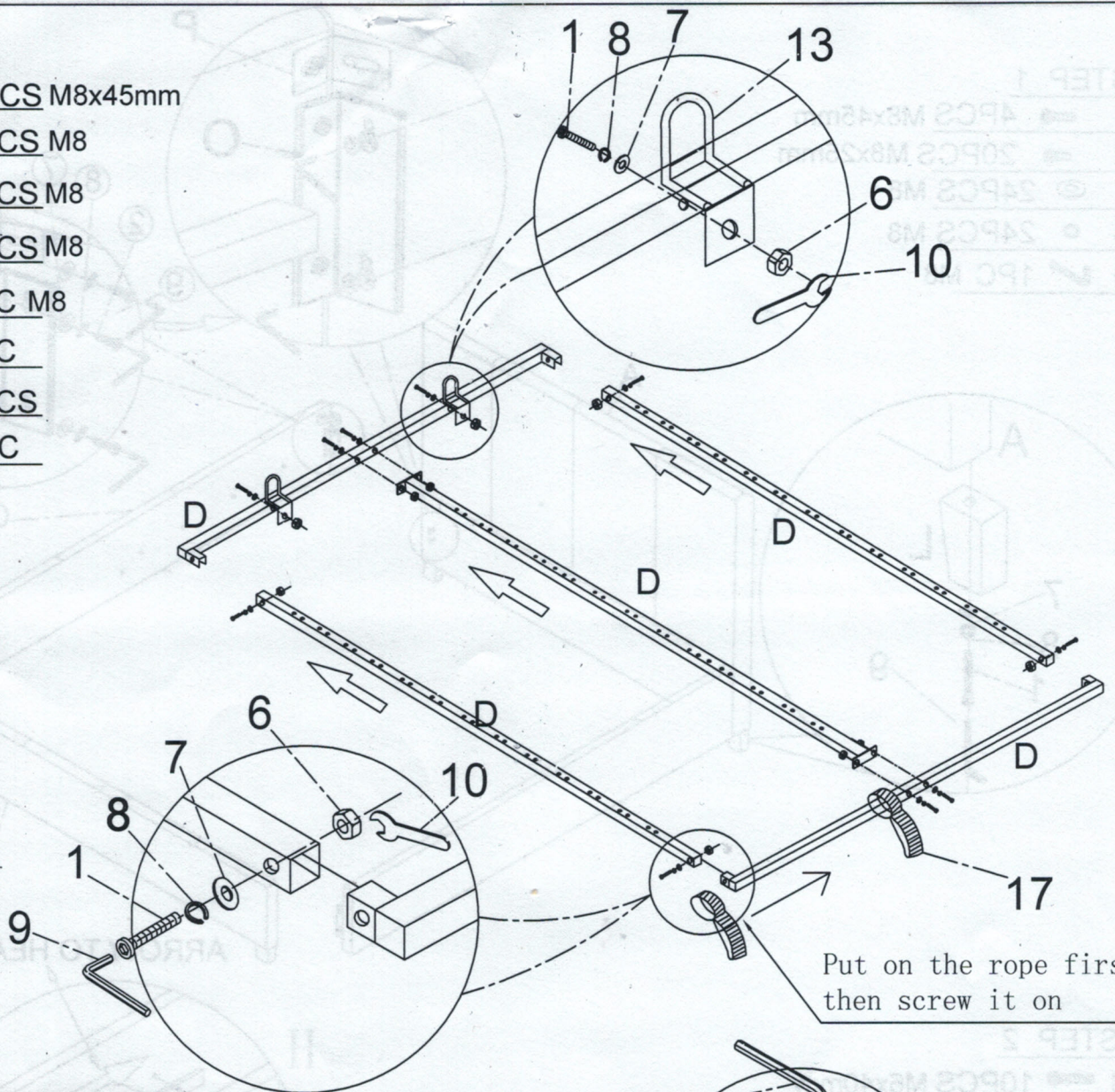
6  10PCS M8

9  1PC M8


10  1PC


13  2PCS


17  1PC

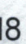



**STEP 4**


1  7PCS M8x45mm

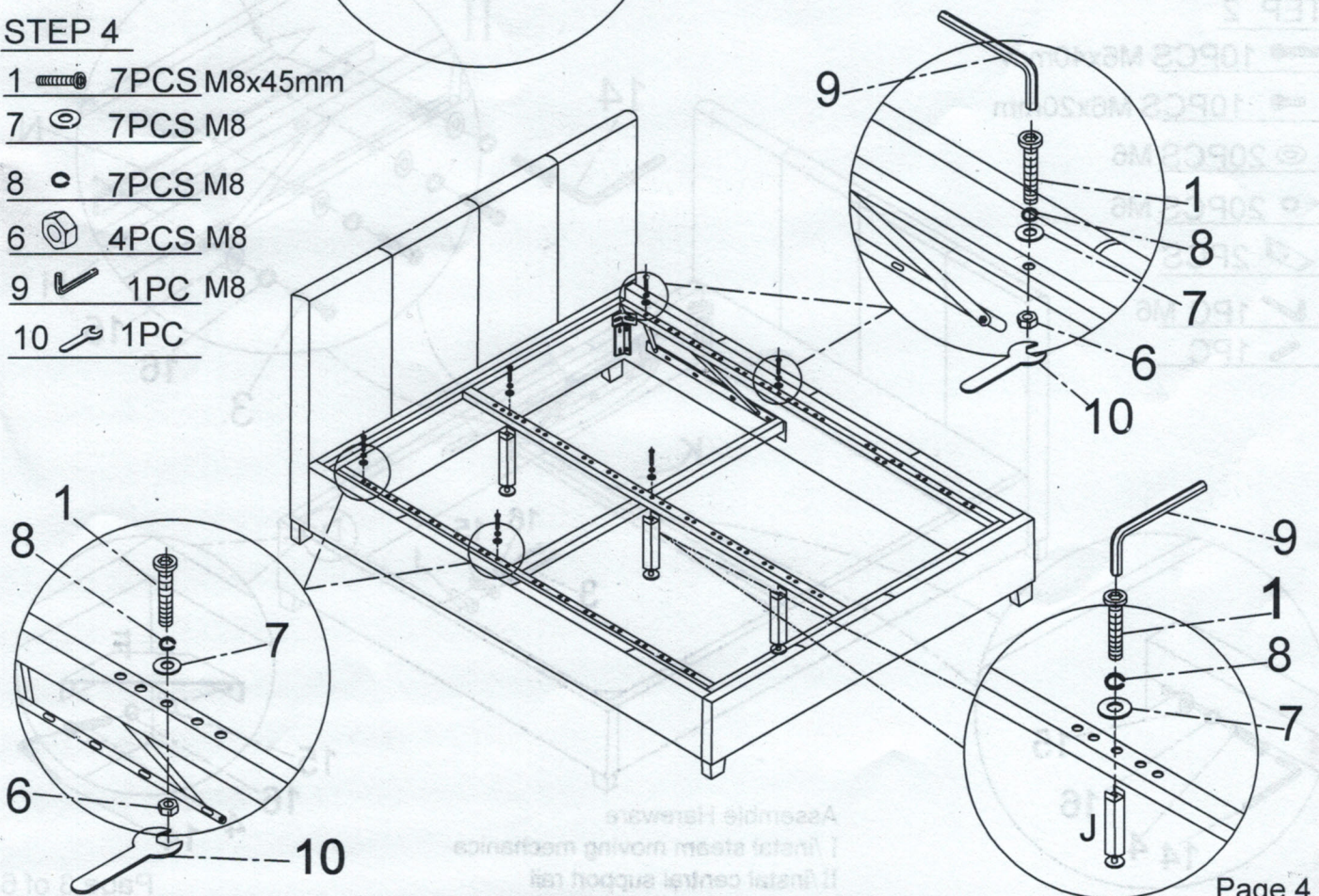
7  7PCS M8

8  7PCS M8


6  4PCS M8


9  1PC M8

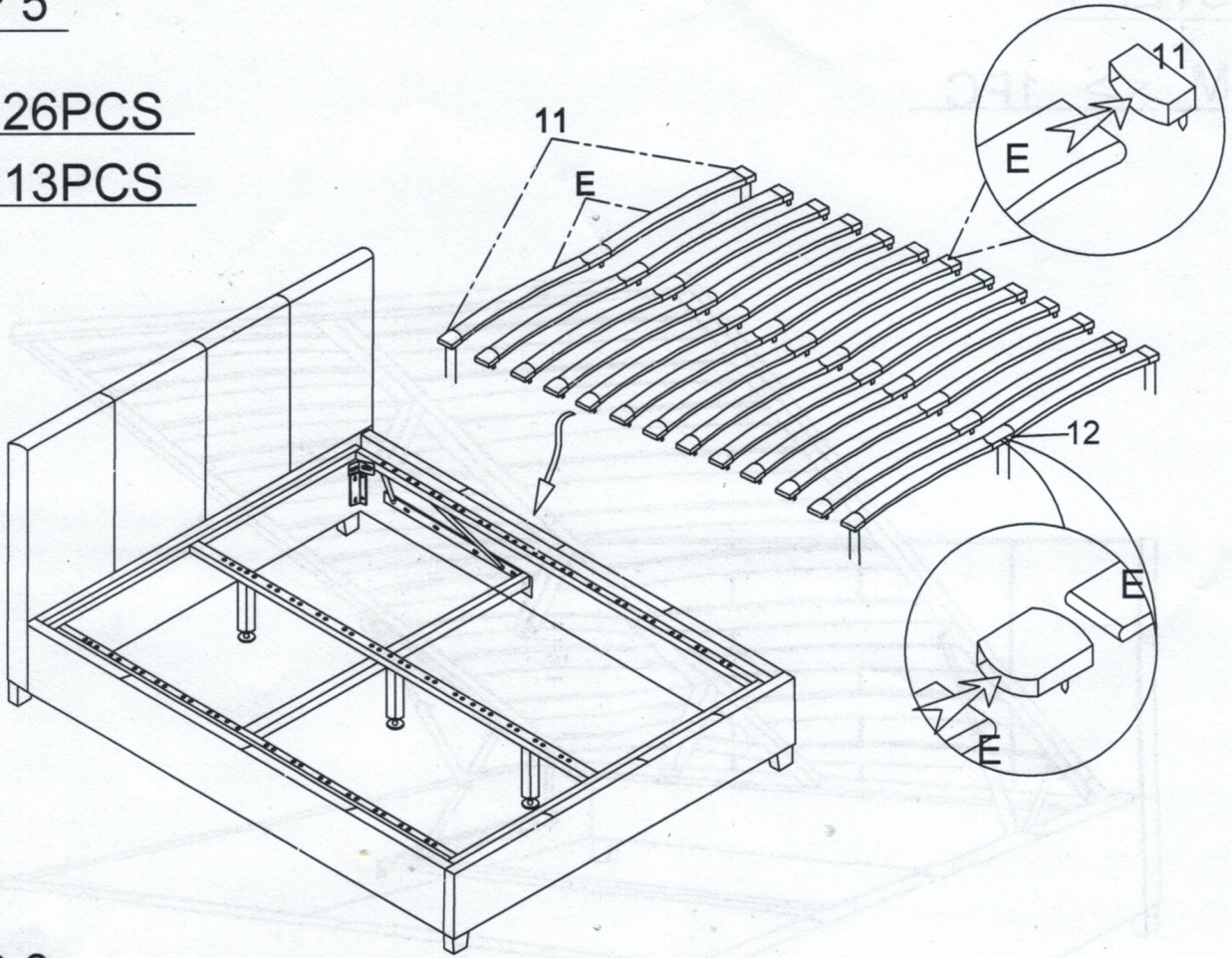
10  1PC




## STEP 5

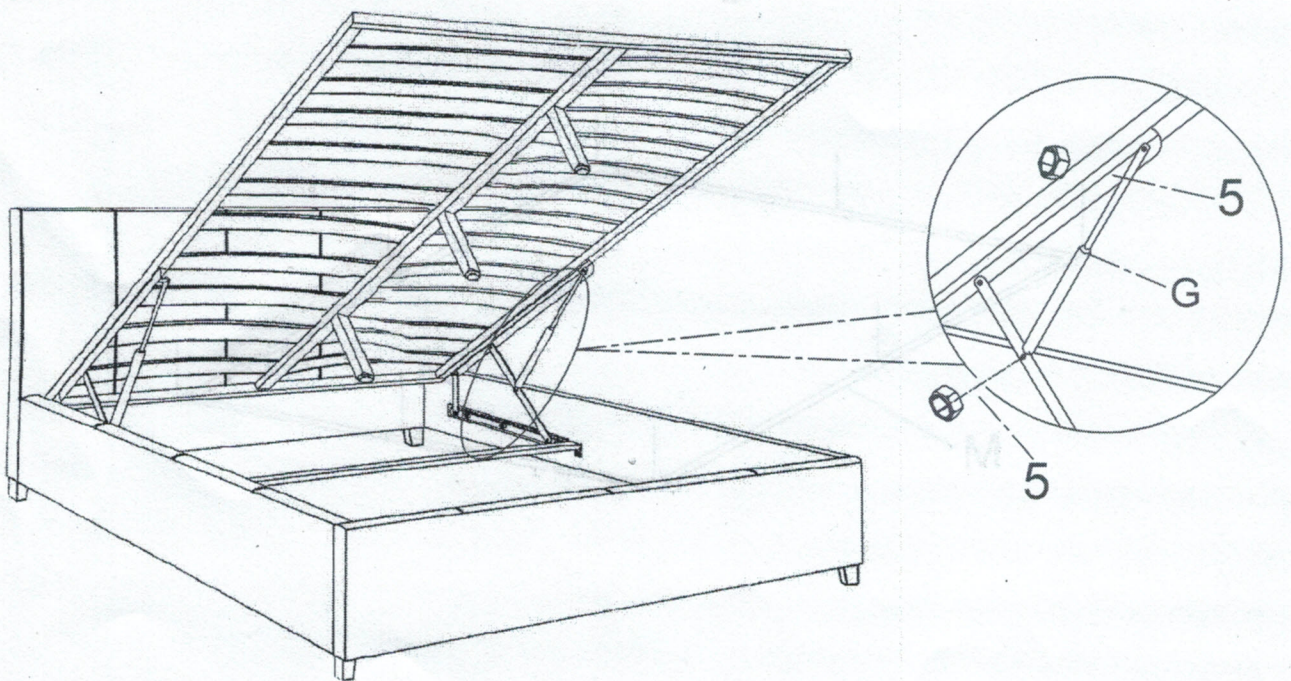
11  26PCS

12  13PCS

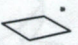


## STEP 6

5  4PCS



STEP 7

M  1PC

