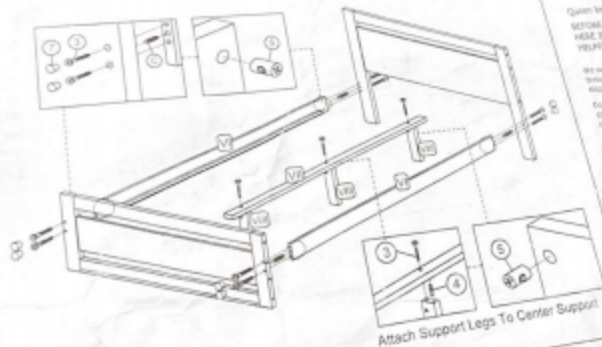


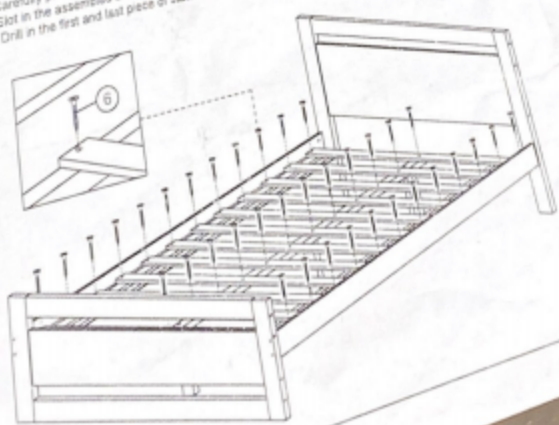
STEP 5 Required Fittings ③ 11 pcs ④ x 7 pcs ⑤ x 11 pcs ⑦ x 4 pcs  
 Attach Head & Footboard With Side Rails



Attach Support Legs To Center Support

STEP 6 Required Fittings ⑥ x 42 pcs  
 Attach Slats To Bed Frame.

- Useful Tips:
- Carefully place those slats onto the bed frame to prevent scratches.
  - Slot in the assembled center support from underneath the bed.
  - Drill in the first and last piece of slats in order to hold the position before drilling the rest of the slats.



## ALEXIS

Queen Bed Frame  
 BEFORE YOU START,  
 MAKE US SOME  
 HELPFUL NOISES

We suggest you spend a short time reading through this guide and follow the simple step-by-step assembly instructions.

Do not discard any of the packaging as you have checked that you have all the parts and the parts of fittings.

Assemble this product on a flat surface.

Assemble all parts loosely before tightening any bolts.

Discard all spare fittings and keep fittings out of reach of children.

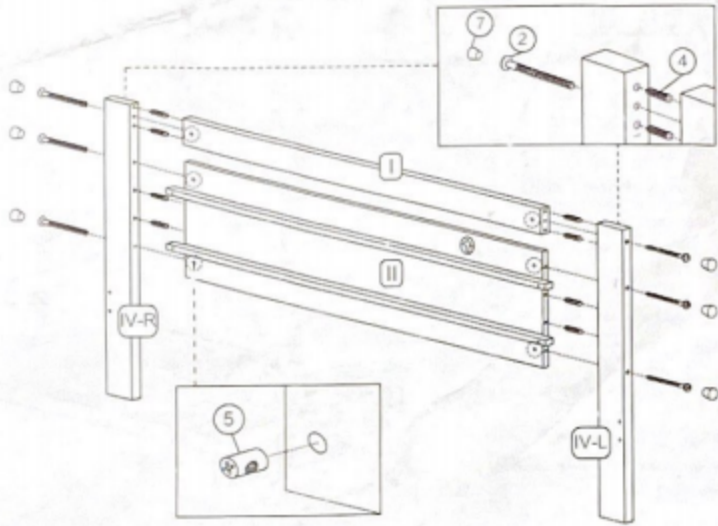
To clean, wipe clean with a damp cloth.  
 Return Assembly Instruction for future reference.

### PARTS AND FITTINGS LIST

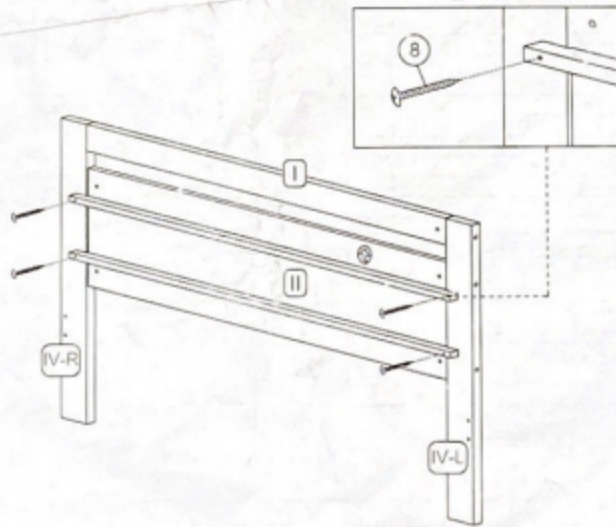
PARTS LIST		QTY
CODE	DESCRIPTION	
1	HEADBOARD/HORIZONTAL RAIL	1
2	HEADBOARD PANEL	1
3	POSTBOARD PANEL	1
4	HEADBOARD POST (LEFT & RIGHT)	2
5	HEADBOARD FOOT (LEFT & RIGHT)	2
6	SLAT	42
7	CENTER SUPPORT	1
8	SUPPORT LEG	2
9	SLATS	

FITTINGS LIST	
CODE	DESCRIPTION
1	ALLEN KEY
2	SCREW
3	SCREW
4	SCREW
5	SCREW
6	SCREW
7	SCREW
8	SCREW

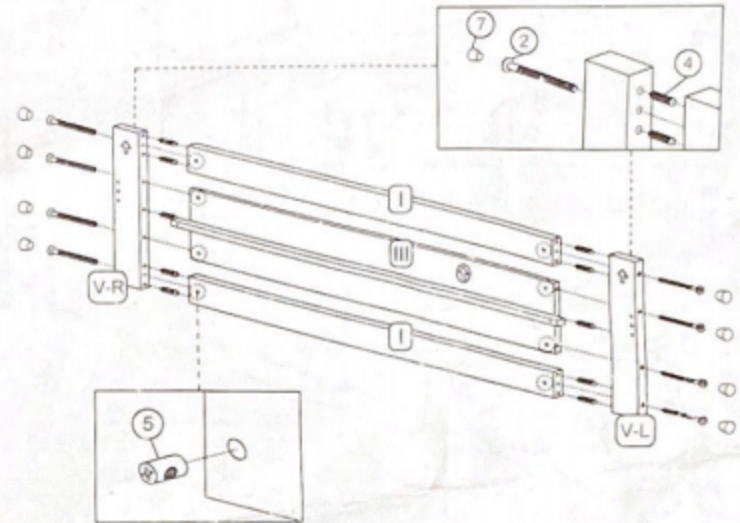
STEP 1 Required Fittings : ② x 6 pcs ④ x 8 pcs ⑤ x 6 pcs ⑦ x 6 pcs  
Headboard Assembly



STEP 2 Required Fittings : ⑧ x 4 pcs  
Fitting Headboard Panel With Post



STEP 3 Required Fittings : ② x 8 pcs ④ x 10 pcs ⑤ x 8 pcs ⑦ x 8 pcs  
Footboard Assembly



STEP 4 Required Fittings : ⑧ x 2 pcs  
Fitting Footboard Panel With Post

