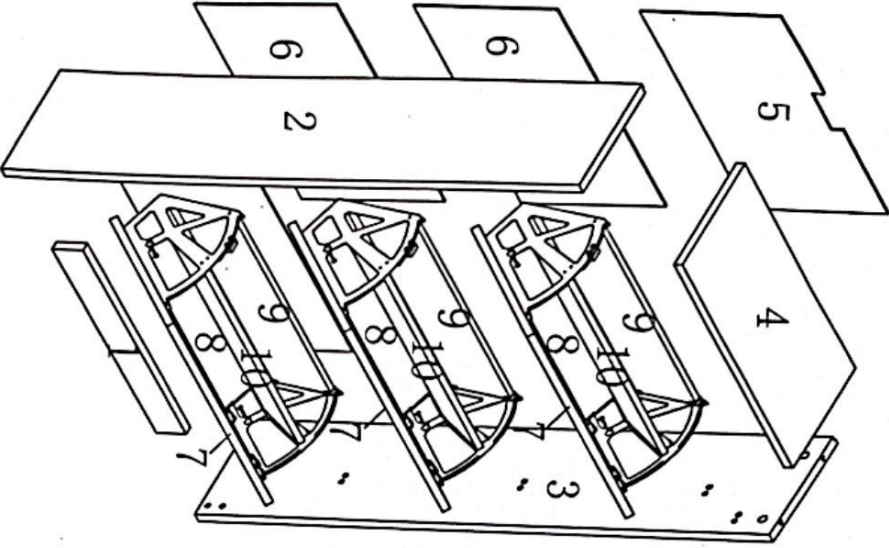


NS0032-1 3-DSHOE CASE



	ACCESSORIES	QUANTITY
A		8PCS
B		8PCS
C	 M3.5*14	6PCS
D	 M4*16	44PCS
E		32PCS
F		3SET
G		6PCS
H		6PCS
I		6PCS
J		1PC
K		2PCS
L	 M4*40	2PCS

<input checked="" type="checkbox"/>	<input checked="" type="checkbox"/>	<input checked="" type="checkbox"/>	<input checked="" type="checkbox"/>
CHEMICAL		HAND SURFACE	
<input checked="" type="checkbox"/>	<input checked="" type="checkbox"/>	<input checked="" type="checkbox"/>	<input checked="" type="checkbox"/>
HANDLE WITH CARE		KEEP DRY	
<input checked="" type="checkbox"/>	<input checked="" type="checkbox"/>	<input checked="" type="checkbox"/>	<input checked="" type="checkbox"/>

