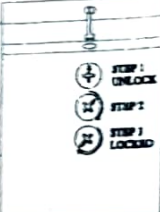


HARDWARE LIST

MINIFIX SETUP

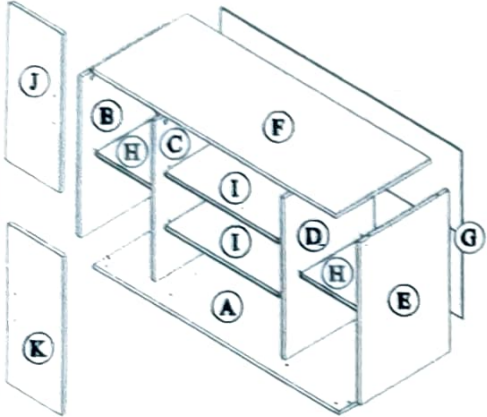


I	II	III	IV	V	VI	VII	VIII	IX	X	XI	XII	XIII	XIV	
Screw M6x45mm	Allen Key	Minifix Cam	Minifix Pin	Nail	Leg	Leg	4x30mm Screw	Magnet Magnet Plate	3.5x12mm Screw	Shelf Support	Door Holder	3.5x16mm Screw	Handle	Handle Screw 19mm
8 Pcs	1 Pc	8 Sets	42 Pcs	2 Pcs	3 Pcs	10 Pcs	2 Sets	2 Pcs	16 Pcs	4 Pcs	8 Pcs	2 Pcs	4 Pcs	

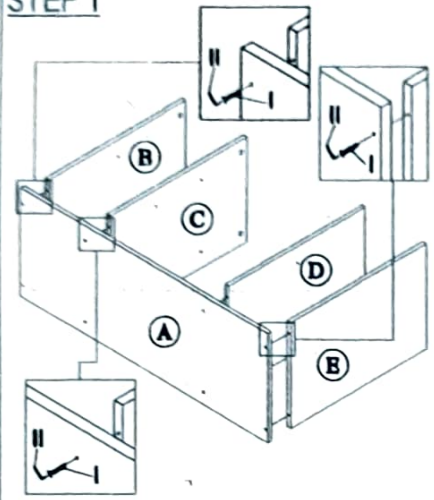
PR603

PART LIST

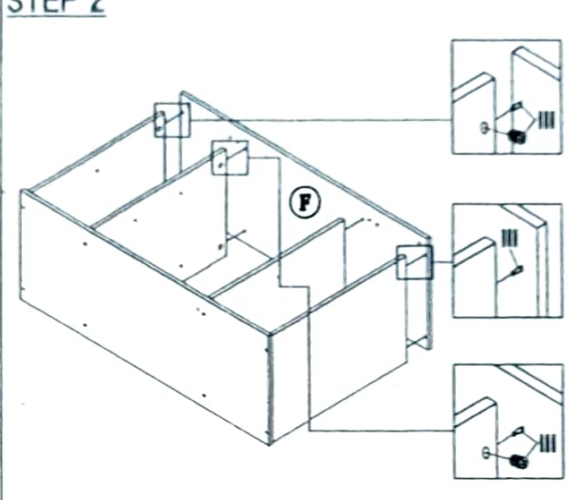
CODE	QTY
A	1
B	1
C	1
D	1
E	1
F	1
G	1
H	2
I	2
J	1
K	1



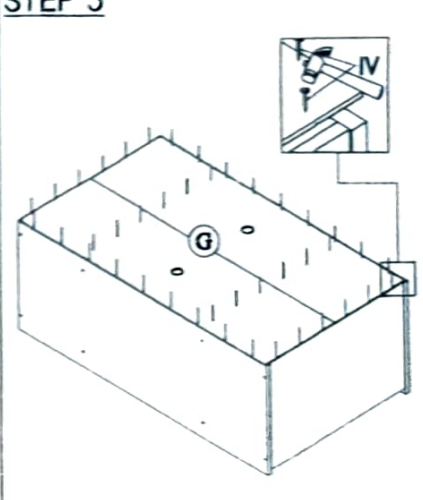
STEP 1



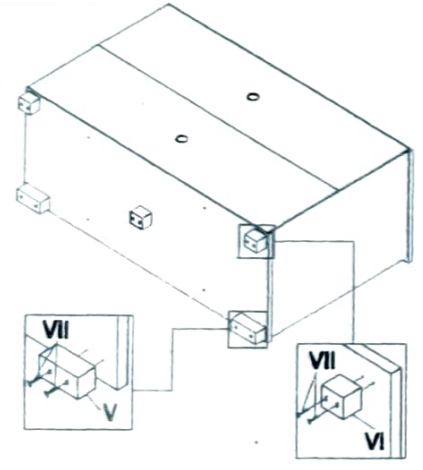
STEP 2



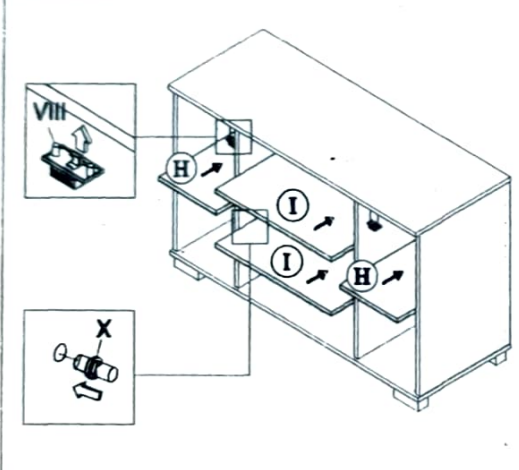
STEP 3



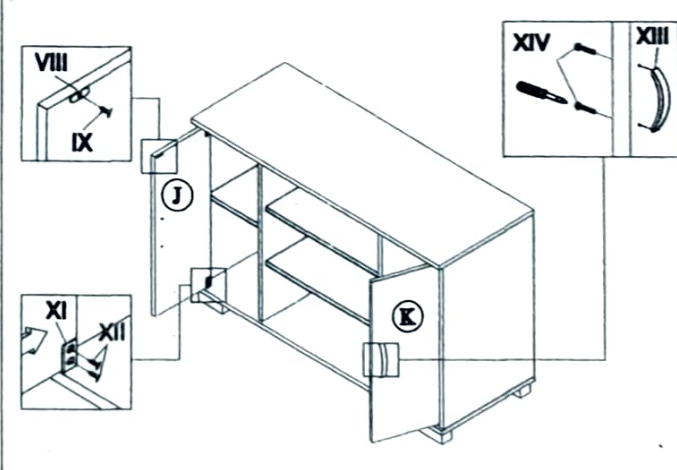
STEP 4



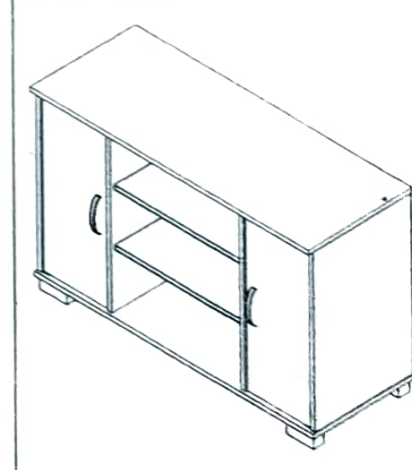
STEP 5



STEP 6



COMPLETE



ASSEMBLY INSTRUCTION

1) DO NOT FULLY TIGHTEN THE NUT OR BOLT UNTIL THE PRODUCT IS ASSEMBLED.
(TO AVOID CAUSING DAMAGE TO THE THREAD DO NOT OVER TIGHTEN THE NUT OR BOLTS)

DRAWN BY:
C. S. ENG

MODEL :
TSB-EC9119