



*Midea is my idea*

World's No.1  
Air Treatment Brand



\* Source Euromonitor International (Shanghai)Limited; Consumer Appliances 22ed, retail volume sales in unit, 2021 data

Midea Appliances New Zealand  
372 - 376 Broadway, Newmarket Auckland  
P 09 930 0902  
W [mideaappliances.co.nz](http://mideaappliances.co.nz)  
E [sales@jhappliance.co.nz](mailto:sales@jhappliance.co.nz)



Heating and Cooling Solutions

R32 DUCTED  
**SYSTEMS**





# Midea is My Idea

Midea, established in 1968 is a public company listed and since July 2016 a Fortune 500 company offering one of the most comprehensive ranges in the home appliances industry. Midea specializes in air treatment (residential and commercial solutions), refrigeration, laundry, cooking appliances, small kitchen appliances, water appliances, floor care and lighting.



## Midea is My Idea

Our objective is to deliver the best home solutions for every New Zealand family. Our home solutions are inspired by the ideas and needs of New Zealand consumers. Therefore, we created the slogan "Midea is My Idea"

## Midea Appliances New Zealand

Midea Appliances New Zealand Commenced operation in July 2016. Our current business domains include air conditioning, kitchen appliances, refrigerators, laundry, floor care appliances and small household appliances. While enhancing our presence in New Zealand, Midea Appliances New Zealand will continue pursuing in in producing full range of Midea products.

## Local After Sales Service and Support

Midea has an established service department for all service and technical enquiries.

## 5 Year Parts and Labour Warranty

Midea New Zealand aims at providing high performance and quality products for the New Zealand market. The R32 duct system are standard with 5 years warranty including parts and labor.



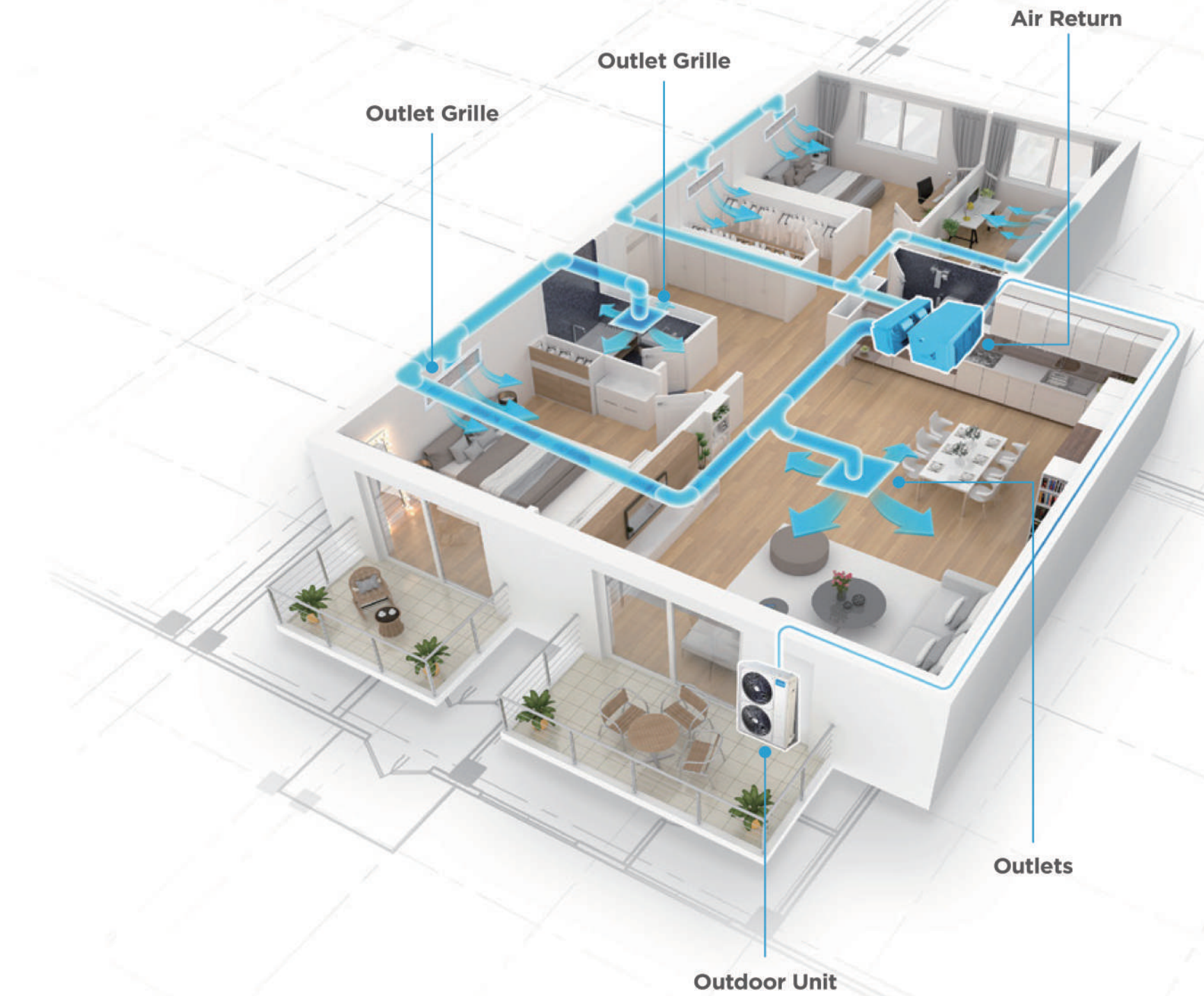
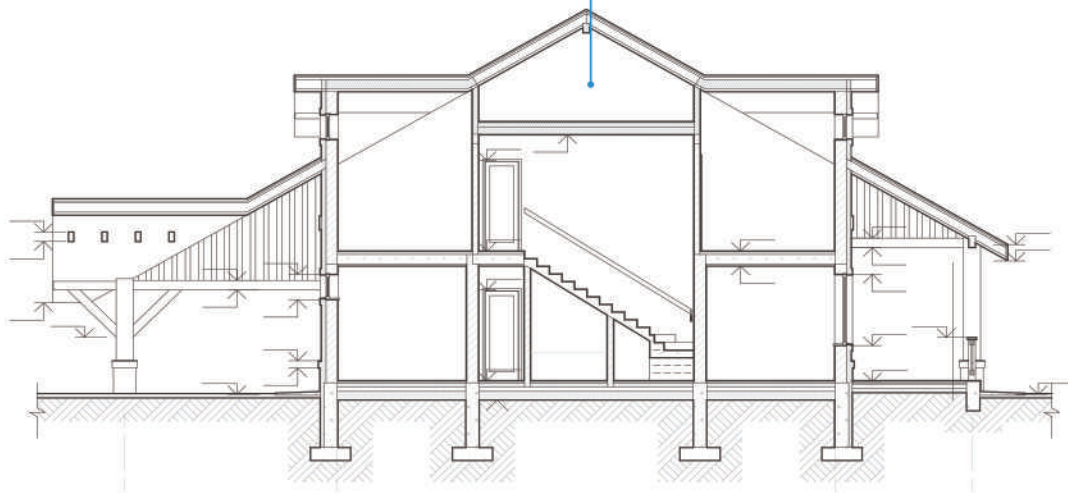


# Midea Ducted Systems

Midea Ducted system can provide air conditioning through the air ducts and provide cooling or heating comfort for the whole house. Since it is concealed in the ceiling, only the wired controller and air grilles are visible inside the room. Its invisible beauty can fit harmoniously to your interior design and make your room more esthetic, bringing you more beautiful and comfortable home.



Ducted Systems





# Midea Technology

01

## Easy installation and Maintenance

- Split Design HSP duct indoor unit\*
- Aerostic (Constant Airflow)
- Optimized Outdoor (Compact 7kw and Optimized 2 Fan Outdoor)
- Safer Design
  - 1.Functional Auxiliary Board
  - 2.Optimized Wire Terminals
  - 3.Standard with DR Connection Ports
  - 4.Reserved Wire Connection Holes
  - 5.Ingression Proof Metal Shield Plate

02

## Reliability and High Efficiency

- Inner Groove High Efficiency Tubes
- Indoor and Outdoor Units Prime Guard
- Durable R32 GMCC Compressor
- Refrigerant Cooling
- Heating Belt for Compressors and Base Pan Heater (optional)
- Outdoor Unit Active Clean

03

## Comfort and Energy Saving

- GA Genetic Algorithm Inverter
- ECO Energy Saving
- 8°C Geating(FP)

04

## Health

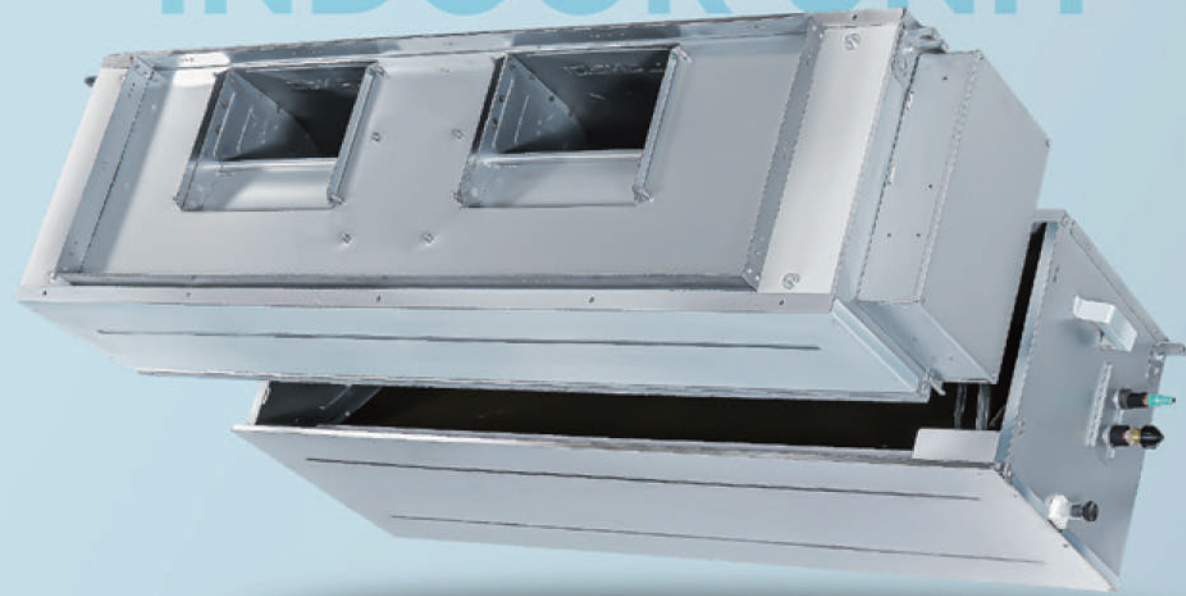
- I-Clean Active Clean
- Fresh Air

05

## SMART

- Color Screen Wireless Network Wired Controller
- Dual Control
- Centralized Control
- Remote Control

INDOOR UNIT



OUTDOOR UNIT



# Indoor Unit Technology



## A6 MSP Duct



### Constant Air Volume Control

With constant air volume control technology, optimal air flow cools every room consistently and accurately with both short pipes and long pipes.

### Fresh Air

Ducted (low profile) are equipped with fresh air intake, which can continuously brings outdoor air into the room.

### I-clean Active Clean

To make the use of condensing water to clean evaporator and dry it automatically.

### Energy Saver

Compared with fixed-speed air conditioners, full DC inverter air conditioners can reduce approximately 55% of power consumption in a year.

## HSP Duct



### Split Design HSP Duct Indoor Unit

With split design structure, the HSP duct indoor unit\*for 17kw model only can be easily separated into coil part and fan part, and reassembled within the ceiling for installation.

This saves installation labor and make it easier for maintenance too.

### Constant Air Volume Control

With constant air volume control technology, optimal air flow cools every room consistently and accurately with both short pipes and long pipes.

### Fresh Air

Ducted (low profile) are equipped with fresh air intake, which can continuously brings outdoor air into the room.

### I-clean Active Clean

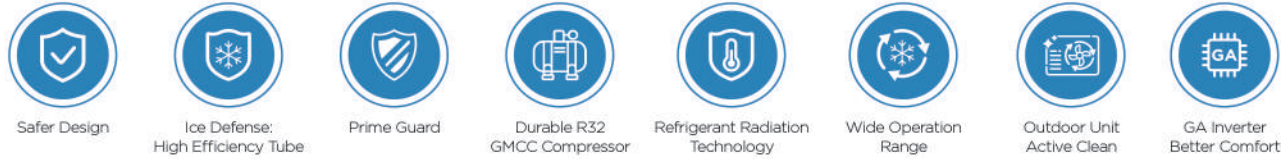
To make the use of condensing water to clean evaporator and dry it automatically.

### Energy Saver

Compared with fixed-speed air conditioners, full DC inverter air conditioners can reduce approximately 55% of power consumption in a year.



# Outdoor Unit Technology



## Safer Design

### Reserved Wire Connection Holes

Lower part reserved wire connection holes, easier for PVC tube installation of connection wires between indoor and outdoor unit.

### Ingression Proof Metal Shield Plate

Ingression proof metal shield plate can prevent rats, frogs, geckoes, bugs, etc. from entering the outdoor. This will make the outdoor unit more durable.

## Ice Defense: High Efficiency Tube

The increase of heat exchange area improves the efficiency of heat transfer, enabling fast heating.

## Prime Guard

The unique anticorrosive golden coating on the heat exchangers can withstand the salty air, rain and other corrosive elements. It also effectively prevents bacteria from breeding and improves heat efficiency.

## Durable R32 GMCC Compressor

Midea New Zealand R32 full DC Inverter Duct Split use GMCC R32 twin rotary compressors which adopts rare earth materials for its long term lifespan and high efficiency. About 1/3 of world AC compressors are from GMCC because of its stable quality and excellent performance. GMCC is one of the largest AC compressor manufacturers in the world.

## Refrigerant Radiation Technology

The new designed refrigerant circuit radiator utilizes the refrigerant to cool down the E-Box efficiently, which can highly improve the unit reliability and performance under high ambient temperature.

## Wide Operation Range

### Heat Shield

Even in an environment with high temperature of up to 60°C the compressor still works well to ensure continuous cooling.

### Refrigerant Radiation Technology

The new designed refrigerant circuit radiator utilizes the refrigerant to cool down the E-Box efficiently, which can highly improve the unit reliability and performance under high ambient temperature.

### Ice Defense

Heating mode: Work under lowest outdoor ambient -20°C

## Outdoor Unit Active Clean

The outdoor unit will reverse the fan flow direction and blow away the dust, sand, leaves, etc. on the heat exchanger of outdoor unit. This will clean the heat exchanger automatically and keep high heat exchange efficiency in the long run.

## GA Inverter, Better Comfort

### Incomparable Comfort Control

Full DC inverter air conditioners outperform fixed-speed air conditioners in the aspect of precision temperature control.

### GA Compressor Frequency Control

The frequency of traditional air conditioner has  $\pm 1^\circ\text{C}$  fluctuation of room of room temp during operation. However, Midea core genius inverter technology breaks away from this pattern. This technology control 0.6HZ for every Step. Its inverter frequency variation is so smooth that you wouldn't notice the room temperature  $\pm 0.5^\circ\text{C}$  fluctuation at all.

# Control Options

## Wired Controller



## Dual Control

The 2 wired controls connected with the same AC can be installed on different positions so that people can adjust AC settings through nearest wired controller conveniently in large space instead of moving long distance to reach the control. It needs both air conditioners and wired control have dual control function.



## Centralized Controller

The XYE port on the indoor unit PCB can support centralized control through a centralized controller or BMS gateway (BACnet, LonWorks, Modbus). One centralized controller (eg. CCM30) can control up to 64 indoor units.

## Midea Extra



4.3 In LCD Display Screen



Wireless Network



Programmable Weekly Timer



Group Control Dual Control



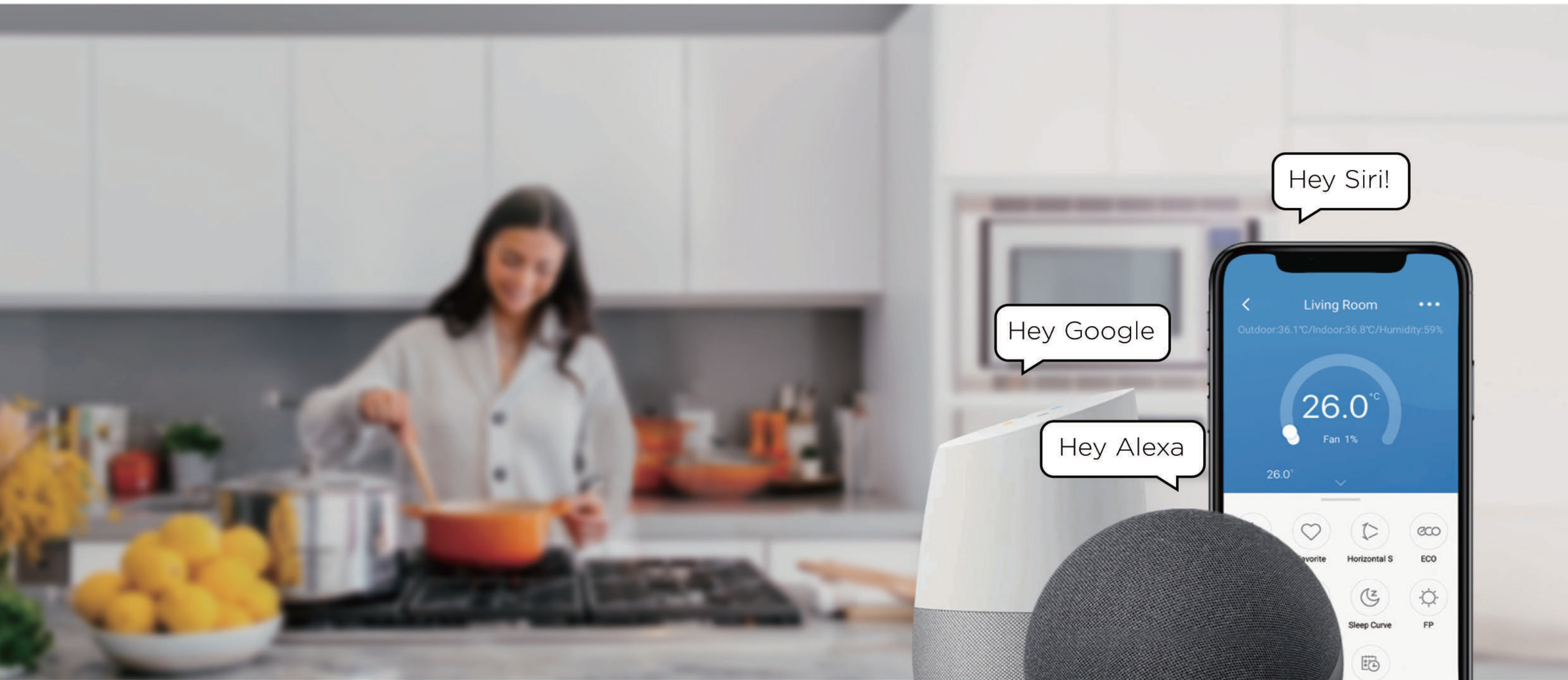
Error Code Display



Touch Button



# Control Options



## Voice Control

Based on the M-Smart Security Protocol, Midea ducted system provides wireless solutions such as MSmartHome App control and voice control options.



# Features and Functions

CATEGORY	FEATURE (● standard ○ optional)	DESCRIPTION	DUCTED UNITS		
			(low profile A6) INVERTER	(high static MHG) INVERTER	
ECONOMY	ECO Mode	Midea new energy-saving AC apply Innovative ECO Mode, by pressing this button, AC will run into a 8-hour saving mode.	●	●	
	GA compressor Frequency Control	The frequency of traditional air conditioner has dramatic fluctuation during operation, leading to the instability of room temperature. However, Midea air conditioners break away from this pattern with our unique GA Stepless Comfort Technology. Its inverter frequency variation is so smooth that you wouldn't notice the room temperature fluctuation at all.	●	●	
	Gear	Three operating power options 50% , 75% , 100%.	○ (Depend on remote and wire controller model)	○ (Depend on remote and wire controller model)	
	8°C Heating	In heating operation, the preset temperature of the air conditioner can be set as low as 8°C, which keeps the room temperature steady at 8°C and prevents the house from freezing when it is unoccupied for a long time in sever cold weather.	○ (Depend on remote and wire controller model)	○ (Depend on remote and wire controller model)	
	Multi Outdoor Fan Speed	Due to the DC fan motor, outdoor fan speeds are increased from 2 grades to 9 grades, more comfortable and energy saving.	●	●	
COMFORT	Indoor Stepless Fan Speed	Silent mode - between 1-20% Low mode - between 21-40% Medium mode - between 41-60% High mode - between 61-80% Super high - between 81-100%** Auto - selected by system Fan speed cannot be adjusted like this in Auto or Dry operation	○ (Depend on remote and wire controller model)	○ (Depend on remote and wire controller model)	
	Follow Me	Temperature sensor built in the remote controller will sense its surrounding temperature. So the unit can adjust room temperature more accurately to give you comfort.	○ Optional (depend on the remote / wire controller)	○ Optional (depend on the remote / wire controller)	
	Turbo Mode	This function gives you a boost in cooling and heating power for a period, and makes the room cool down or heat up rapidly.	●	●	
	Power Down Memory	Revert back to last settings in the event of power outage	●	●	
	Timer	Set the unit to start and stop automatically in a 24h period.	●	●	
	Weekly Timer	Preset the operation of every day on wired controller for a period of 7 days. And this presetting will rotate over every 7 days.	○ (Depend on remote and wire controller model)	○ (Depend on remote and wire controller model)	
	Anti-Cold Air Function	Indoor fan speed is regulated automatically from the lowest grade to the setting grade according to evaporator temperature when the unit just starts heating operation. This function can prevent cold air blowing out to avoid discomfort to the users.	●	●	
	Sleep Mode	The function enables the air conditioner to automatically increase cooling or decrease heating 1°C per hour for the first 2 hours, then holds steady for the next 5 hours, after that it will switch off. This function maintains both energy saving and comfort at night.	●	●	
	Fast Cool/Heat Function	Once start this function, the compressor will maximize running frequency, thus you can enjoy cooling and heating in seconds.	●	●	
	Temperature Compensation	The temperature sensed by indoor unit is always different from the actual floor temperature due to different installation heights of indoor unit. This function can revise this temperature difference to make a more accurate temperature control.	●	●	
	Independent Dehumidification	Under independent dehumidification mode, AC will efficiently dehumidify the room.	●	●	
	Auto Defrosting	Prevent evaporator from freezing and maintain dehumidifying effect under low temperature environment.	●	●	
	0.5	0.5 Display	The temperature display can be accurate to 0.5 degrees.	○ (Depend on remote and wire controller model)	○ (Depend on remote and wire controller model)
	Stream Cool Design	Outdoor Inverter PCB's are cooled by liquid refrigerant allowing for greater performance in higher ambients.	●	●	
	HEALTH	Prime Guard	Effectively prevent bacteria breeding and improve heat transfer efficiency. The unique anti-corrosive golden coating on the condenser can withstand the salty air rain and other corrosive elements.	●	●
		New Fresh Air	Reserver port for the new fresh air motor	●	●
		I-Clean	Indoor unit will continue running at special combined mode blow and dry indoor evaporator after the unit switched off so as to keep clean and healthy.	●	●
		Dual Sweep	After the air conditioner is shut down, the outdoor fan automatically reverses and uses the reverse air flow to clean the dust on the condenser, which can maintain the good heat exchange efficiency of the condenser for a long time, save energy and increase efficiency, and prolong the service life of the air conditioner.	●	●

IOT	App Control	With the mobile phone App control, you can easily turn off the AC outside your house via smart device. Furthermore, you can turn it on before you come back.	○	○	
	AI Speaker	Support google speaker , Alexa speaker and Apple SIRI	○	○	
	Self-Diagnosis and Auto-Protection	Once abnormal operation or parts failure happen, the unit will shut off automatically to protect the system. Meanwhile it will indicate protection or error code for fast service.	●	●	
	Emergency Using Function	When temperature sensor error happens, the air conditioner will display error code and stop immediately, while Midea AC will display error and continue running in a proper status, to avoid the case that AC is in urgent need.	●	●	
	Engineer Mode	Main Functions can be changed by modifying programs of remote controller or wire controller. You can design your most comfortable settings and delete those you don't need.	●	●	
CONVENIENCE	Easy Installation	Larger wiring terminals, single screw access to indoor PCB, spirit level on mounting bracket	●	●	
	Easy Disassembly	Single screw access, fastening clips to unlatch fan module and single cable disconnect to release	●	●	
	Water Drainage Pump Build-in	Up to 750mm water lift height ,easy to drainage water from indoor to outdoor	●	●	
	Easy Clean	Full removal of indoor fan module to clean fan wheel, magnetic tracks on filter, finds its own location instead of trying to slide rails in	●	●	
	Flexible Air Intake	Rear or bottom direction air-return installation	●	●	
	Easy Maintenance	Top or bottom maintenance	●	●	
	Front Desk Control	With a smart control board Midea air conditioners can be turned on/off via long distance control signals.	●	●	
	Central Control Management	The centralized controller is a multi-functional device that can control up to 64 indoor units within a maximum connection length of 1200m.	●	●	
	Group Control	1 wired controller can adjust the operation mode, temperature and fan speed of up to 16 indoor units together. It saves the cost and simplifies the control of multiple IDUs in big spaces where it needs even temperature. One command controls all of machines to keep them aligned.	○ (Depend on remote and wire controller model)	○ (Depend on remote and wire controller model)	
	2-Wires Wired Controller	Compared with infrared remote controller, wired controller can be fixed on the wall and avoid mislaying. It's mainly used for commercial zone and makes air conditioner control more convenient.	●	●	
	AeroStic	The AeroStic saves installation effort and time than traditional methods. It can automatically finish ESP(External Static Pressure) match between ducted units and duct. Three simple steps and few minutes are all it needs.	●	●	
	Auto Restart Function	If the air conditioner breaks off unexpectedly due to the power cut, it will restart with the previous setting mode automatically when the power resume.	●	●	
	SAFETY	Low Ambient Cooling	With built-in low ambient kit or special designed PCB, outdoor fan speed can be changed automatically according to condensation temperature. The air conditioner can run cooling operation even when the outdoor ambient temperature down to 15°C.	●	●
		Rear Net	Rear net made of steel can protect the fin & coil of outdoor unit.	●	●
		Fire-Proof Electric Box	Electrical control box adopts new design, which can meet higher fire safety requirement to prevent the internal fire due to electric spark accident.	●	●
		Refrigerant Leakage Detect	Indoor unit will show error code "EC" and stop automatically when refrigerant leakage is detected. This function can better protect compressor being damaged by high temperature due to refrigerant leakage.	●	●
		Rotation & Back-Up	Two air conditioners connected to same one wired controller can follow rotation setting. It allows to preset operation time and one AC will automatically switch on after another AC runs over setting time. If one of them meets operational problems or the temperature rise too high, the back-up unit turns on automatically.	○ Optional (depend on the remote / wire controller)	○ Optional (depend on the remote / wire controller)
		Low Voltage Operation	Lowest voltage can reach 163V	●	●
		DR Module	When connected to a Demand Response Enabling Device, this enables the Power Supplier to control the output of you air conditioner during peak power demand periods	●	●
		High-Efficiency Fan Blades	Improved fan air movement with lower noise output allowing for greater efficiency and greater comfort	●	●
T Shape Design		Stronger T shaped design on outdoor cabinet	●	●	

\*Functions can only be enabled using RC-EXZ3A wired controller.  
 FDU224KXZE1 and FDU280KXZE1 do not include built-in drain pumps.  
 Drain pump assembly can be purchased from MRE spare parts.  
 On/off timer, weekly timer and sleep timer are disabled if Wi-Fi accessory connected. Similar functions can be set via the AC Cloud application.



# Product Specifications

## A6 MSP Duct



Indoor			DUCM170IB	DUCM190IB
Outdoor			UCM1700B	UCM1900B
Power supply		Ph-V-Hz	220-240V,1Ph,50Hz	220-240V,1Ph,50Hz
Cooling	Capacity	KW	7.3	10.5
	Capacity range	KW	2.4-9	3.2-11.9
	Input	W	2100	3200
	Input range	W	537-2914	740-3945
	Rated current	A	9.8 (3.60-12.76)	14.5 (3.8-17.5)
	EER	W/W	3.452	3.281
	STAR(hot/average/cold)		★★★★/★★★★/★★★★	★★★★/★★★★/★★★★
Heating	Capacity	KW	7.4	11
	Capacity range	KW	1.8-10.5	3.5-13.5
	Input	W	1800	2650
	Input range	W	363-2955	480-3344
	Rated current	A	7.9 (2.47-12.92)	12.8 (3.75-14.85)
	COP	W/W	4.08	4.15
	STAR(hot/average/cold)		★★★/★★/★★	★★★/★★/★★
Rated Power Input		W	3400	4600
Maximum Current		A	16	21
Indoor air flow (Hi/Mi/Lo)(Some model No duct)		m3/h	1498/1298/1044	2213/1761/1173
External Static Pressure	Rated	Pa	25	37
	Range	Pa	0-160	0-160
Indoor sound power level		dB(A)	52.5	60
Indoor unit	Dimension(H*W*D)	mm	249x1100x774	249x1360x774
	Packing(H*W*D)	mm	315x1305x805	330x1570x805
	Net/Gross weight	kg	31.6/38.3	39.9/47.6
Outdoor air flow		m3/h	3800	5000
Outdoor sound pressure level		dB(A)	60	60
Outdoor sound power level		dB(A)	65	68
Throttle type		/	EXV+Throttle valve	EXV+Throttle valve
Outdoor unit	Dimension(H*W*D)	mm	673x890x342	810x946x410
	Packing (H*W*D)	mm	740x995x398	885x1090x500
	Net/Gross weight	kg	45/47.8	70.1/74.5
Refrigerant type(Units pre-charged for 5m pipe run)		kg	R32/1.75	R32/2.6
Pre-charged length		m	15	15
Additional Pre-Charge		g/m	24	24
Design pressure		MPa	4.3/1.7	4.3/1.7
Refrigerant piping	Liquid side/ Gas side	mm(inch)	9.52mm(3/8in)/15.9mm(5/8in)	9.52mm(3/8in)/15.9mm(5/8in)
	Max. refrigerant pipe length	m	50	75
	Min. refrigerant pipe length	m	3	3
	Max. difference in level	m	25	30
Supply Air Opening(H*W, ange)			16-30	175*1186
Return Air Opening(H*W, ange)			1001*228	228x1261
Room temperature	Indoor(cooling/ heating)	°C	17~32/0~30	17~32/0~30
	Outdoor(cooling/heating)	°C	0~50/-20~24	0~50/-20~24

### Remark

1. Cooling: indoor temperature 27 DB/19 WB and outdoor temperature 35 DB/24 WB; Heating: indoor temperature 20 DB/15 WB and outdoor temperature 7 DB/ 6 WB
2. All the product design and specifications are subject to change without prior notice.

## HSP Duct



Indoor			DUCM105IB	DUCM125IB	DUCM140IB	DUCM170IB
Outdoor			UCM1050B	UCM1250B	UCM1400B	UCM1700B
Power supply		Ph-V-Hz	220-240V,1Ph,50Hz	220-240V,1Ph,50Hz	220-240V,1Ph,50Hz	220-240V,1Ph,50Hz
Cooling	Capacity	KW	10	12.5	14	17
	Capacity range	KW	3.2-11.9	4.2-15.8	4.2-15.8	6.8-19.5
	Input	W	3100	3550	4200	5250
	Input range	W	613-3850	1010-6450	1010-6450	1063-6450
	Rated current	A	14.2 (4.6-17)	18.2 (6.57-28.5)	18.2 (6.57-28.5)	22.5(6.8-28.5)
	EER	W/W	3.226	3.521	3.333	3.238
	STAR(hot/average/cold)		★★★★/★★★★/★★★★	★★★★/★★★★/★★★★	★★★★/★★★★/★★★★	★★★★/★★★★/★★★★
Heating	Capacity	KW	11	13	14.5	17.5
	Capacity range	KW	3.5-13.5	4.4-16.7	4.4-16.7	2.9-21.1
	Input	W	2750	3000	3750	4450
	Input range	W	2700 (490-3300)	520-5260	520-5260	600-5000
	Rated current	A	12.8 (3.3-14.7)	16.3 (3.7-23)	16.3 (3.7-23)	19.5(4.6-22.2)
	COP	W/W	4.00	4.33	3.87	3.93
	STAR(hot/average/cold)		★★★/★★/★★	★★★/★★/★★	★★★/★★/★★	★★★/★★/★★
Rated Power Input		W	4600	7000	7000	7000
Maximum Current		A	21	31	31	31
Indoor air flow (Hi/Mi/Lo)(Some model No duct)		m3/h	2357/1753/1198	3091/2395/1430	3091/2395/1430	3800/3000/2285
External Static Pressure	Rated	Pa	37	50	50	50
	Range	Pa	0-200	0-200	0-200	0-200
Indoor sound power level		dB(A)	60.5	66	66	66
Indoor unit	Dimension(H*W*D)	mm	380x1200x625	380x1200x625	380x1200x625	440x1400x858
	Packing(H*W*D)	mm	460x1485x675	460x1485x675	460x1485x675	515x1605x910
	Net/Gross weight	kg	54/62	53.3/61.6	53.3/61.6	81.1/91.6
Outdoor air flow		m3/h	5000	7600	7600	7600
Outdoor sound pressure level		dB(A)	62	60	60	60.5
Outdoor sound power level		dB(A)	68	69.5	69.5	72.0
Throttle type		/	EXV+Throttle valve	EXV+Throttle valve	EXV+Throttle valve	EXV+Throttle valve
Outdoor unit	Dimension(H*W*D)	mm	810x946x410	1333x952x415	1333x952x415	1333x952x415
	Packing (H*W*D)	mm	885x1090x500	1480x1095x495	11480x1095x495	1480x1095x495
	Net/Gross weight	kg	70.1/74.5	95.1/109.2	95.1/109.2	95.8/110
Refrigerant type(Units pre-charged for 5m pipe run)		kg	R32/2.6	R32/3.6	R32/3.6	R32/4.0
Pre-charged length		m	15	15	15	15
Additional Pre-Charge		g/m	24	24	24	24
Design pressure		MPa	4.3/1.7	4.3/1.7	4.3/1.7	4.3/1.7
Refrigerant piping	Liquid side/ Gas side	mm(inch)	9.52mm(3/8in)/15.9mm(5/8in)	9.52mm(3/8in)/15.9mm(5/8in)	9.52mm(3/8in)/15.9mm(5/8in)	9.52mm(3/8in)/19mm(3/4in)
	Max. refrigerant pipe length	m	75	75	75	75
	Min. refrigerant pipe length	m	3	3	3	3
	Max. difference in level	m	30	30	30	30
Supply Air Opening(H*W, ange)			253x1000	253x1000	253x1000	385x1188
Return Air Opening(H*W, ange)			334x1145	334x1145	334x1145	385x1188
Room temperature	Indoor(cooling/ heating)	°C	17~32/0~30	17~32/0~30	17~32/0~30	17~32/0~30
	Outdoor(cooling/heating)	°C	0~50/-20~24	0~50/-20~24	0~50/-20~24	0~50/-20~24

### Remark

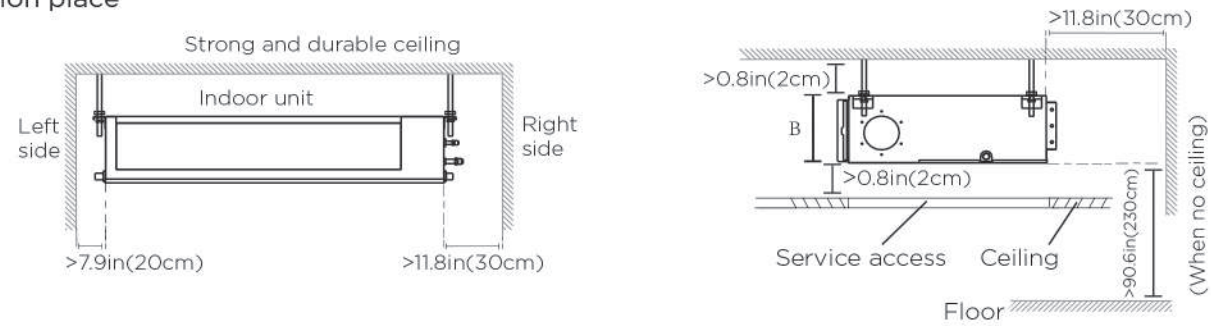
1. Cooling: indoor temperature 27 DB/19 WB and outdoor temperature 35 DB/24 WB; Heating: indoor temperature 20 DB/15 WB and outdoor temperature 7 DB/ 6 WB
2. All the product design and specifications are subject to change without prior notice.



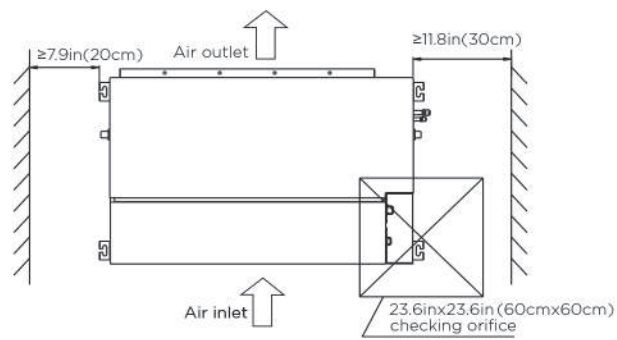
# Indoor Unit Installation

## A6 Duct

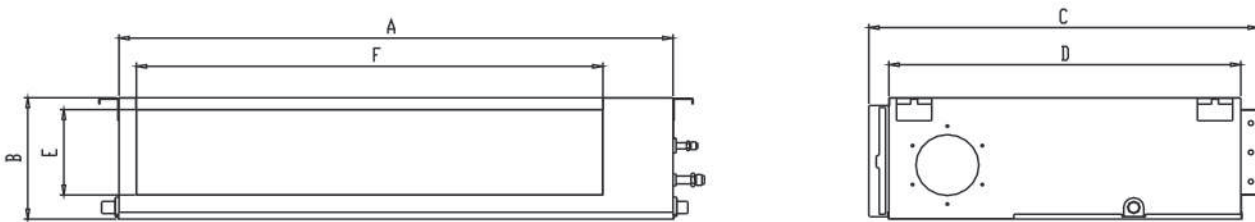
### Installation place



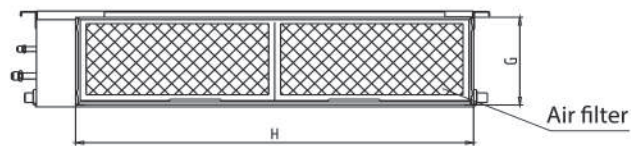
### Maintenance space



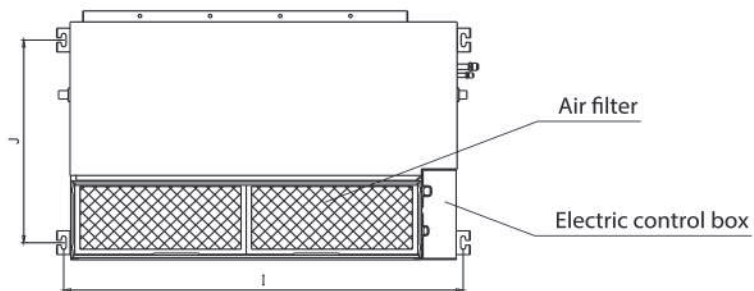
### Air outlet dimensions



### Air inlet dimensions



### Descending ventilation opening and mounted hook

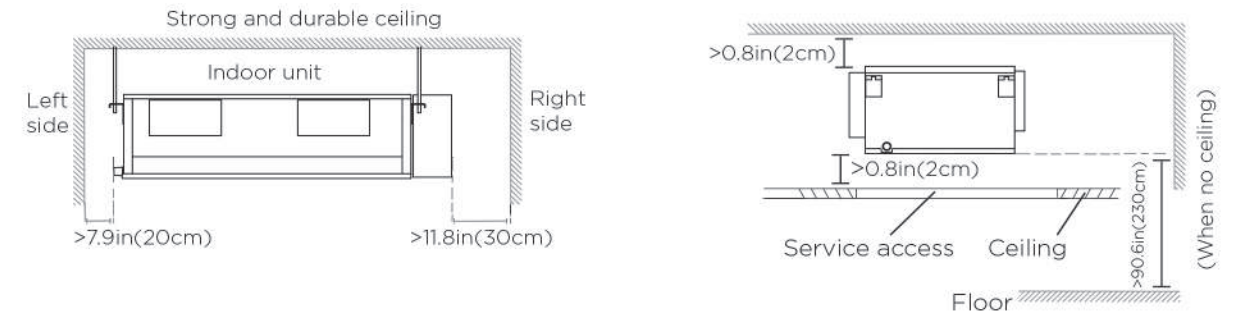


(unit: mm/inch)

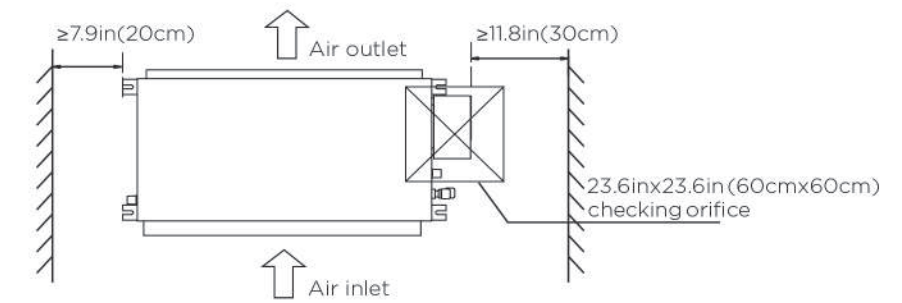
Model (kw)	Outline dimension				Air outlet opening size		Air return opening size		Size of mounted lug	
	A	B	C	D	E	F	G	H	I	J
7kw	1100/43.3	249/9.8	774/30.5	700/27.6	175/6.9	926/36.5	228/8.9	1001/39.4	1140/44.9	598/23.5
9kw	1360/53.5	249/9.8	774/30.5	700/27.6	175/6.9	1186/46.7	228/8.9	1261/49.6	1400/55.1	598/23.5

## High Static Pressure Duct

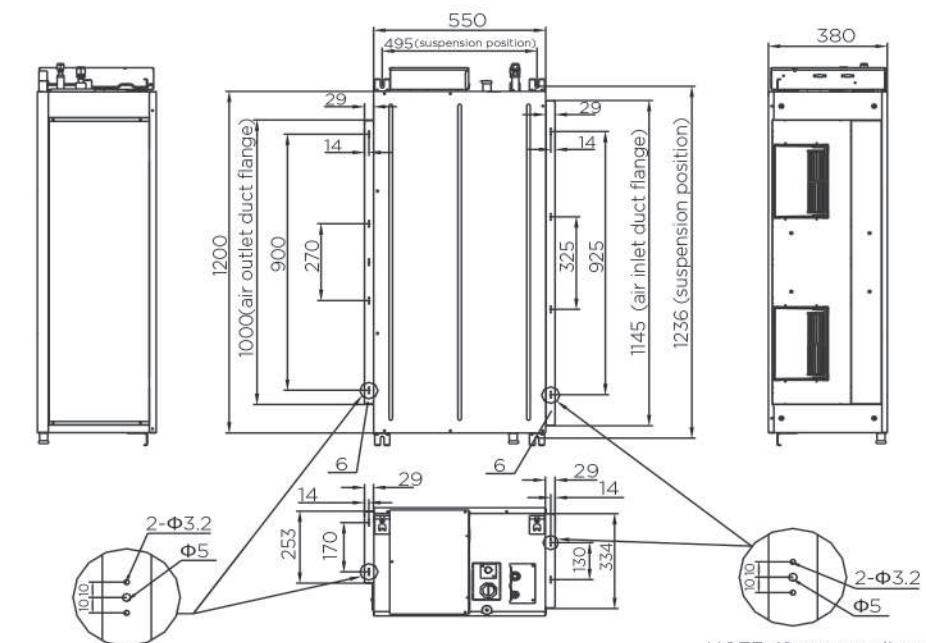
### Installation place



### Maintenance space



Applicable to 10.5kw/12.5kw/14kw only

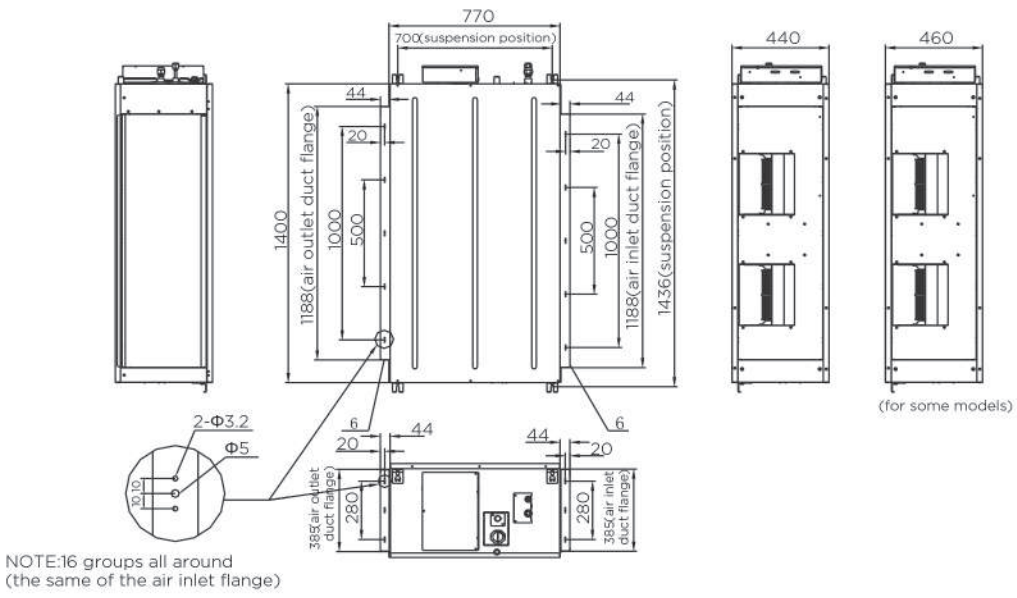


NOTE: 14 groups all around

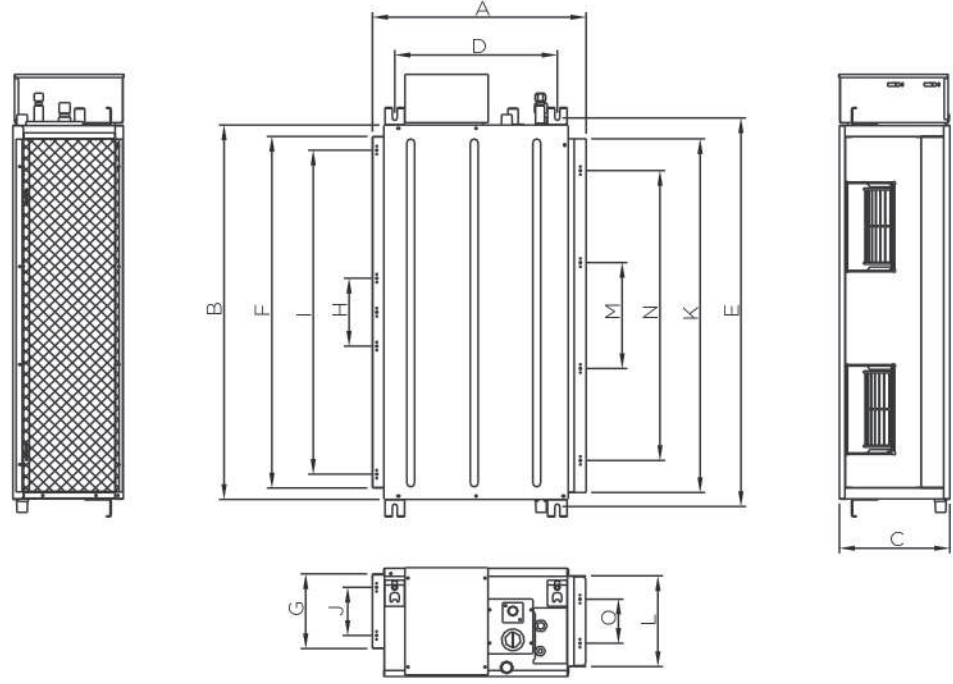
NOTE: 12 groups all around



Applicable to 17kw only



The size of installation for indoor unit following , this unit has installed with air filter.



(unit: mm/inch)

Model (kw)	Outline dimension			Size of mounted lug		Air outlet opening size (symmetry of air outlet opening)					Air inlet opening size (symmetry of air inlet opening)				
	A	B	C	D	E	F	G	H	I	J	K	L	M	N	O
10.5kw 12.5kw 14kw	625/24.6	1200/47.2	380/15	495/19.5	1236/48.6	1000/39.3	253/10	270/10.6	900/35.4	170/6.7	1145/45	334/13.1	325/12.8	925/36.4	130/5.1
17kw	858/33.8	1400/55.1	440/17.3 or 460/18.1	700/27.5	1436/56.5	1188/46.7	385/15	500/20	1000/39.3	280/11	1188/46.7	385/15	500/20	1000/39.3	280/11



