



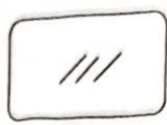




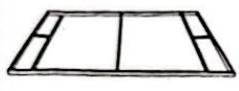


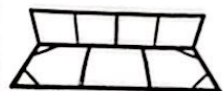
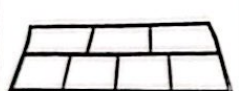
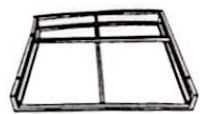
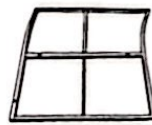

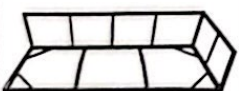

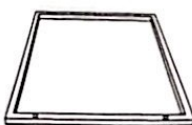
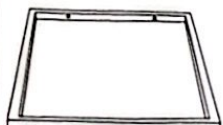





Warm tips:

Do not tighten the screws at the beginning of assembling each part
and tighten all screws after all parts are assembled!

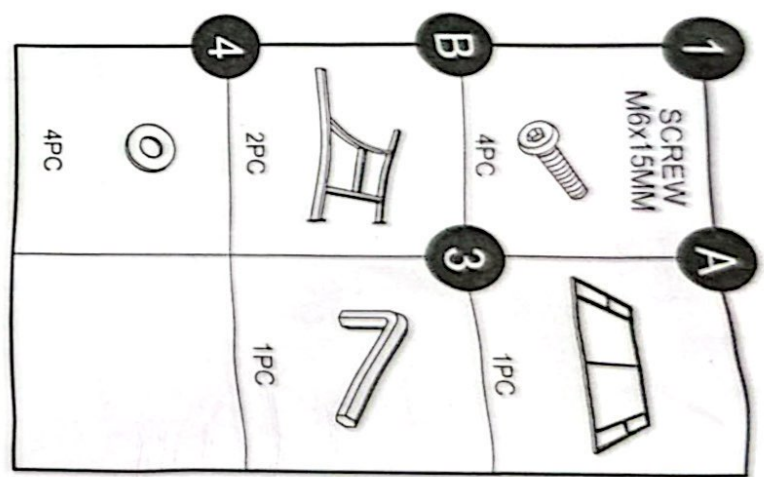
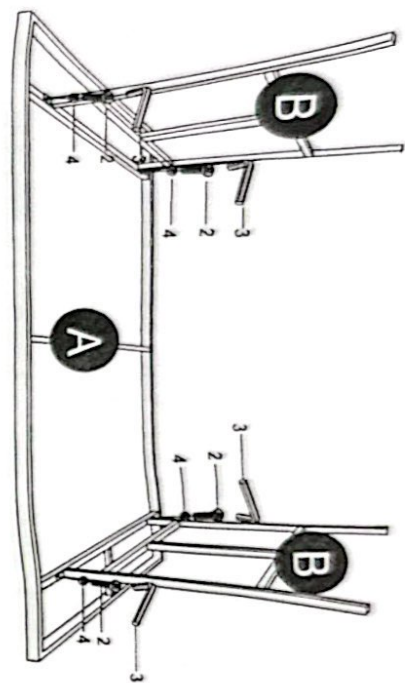
PARTS

- | | | | | |
|---|--|--|---|--|
| <p>1</p> <p>SCREW M6x15MM</p>  <p>4PC</p> | <p>2</p> <p>SCREW M6x35MM</p>  <p>50PC</p> | <p>3</p>  <p>1PC</p> | <p>4</p>  <p>54PC</p> | <p>5</p>  <p>1PC</p> |
|---|--|--|---|--|

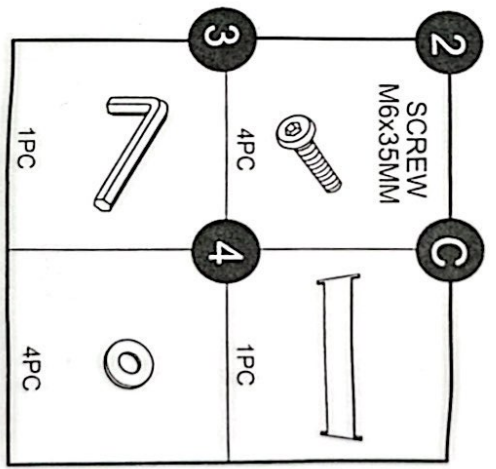
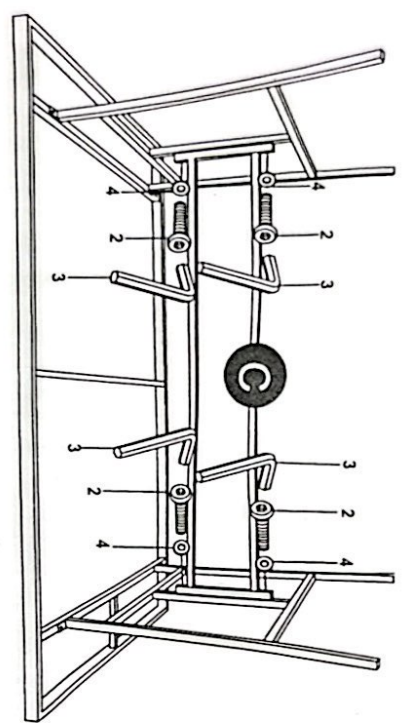
HARDWARE

- | | | | | |
|--|--|---|--|--|
| <p>A</p>  <p>1PC</p> | <p>B</p>  <p>2PC</p> | <p>C</p>  <p>1PC</p> | <p>D</p>  <p>1PC</p> | |
| <p>E</p>  <p>1PC</p> | <p>F</p>  <p>1PC</p> | <p>G</p>  <p>1PC</p> | <p>H</p>  <p>1PC</p> | |
| <p>I</p>  <p>1PC</p> | <p>J</p>  <p>1PC</p> | <p>K</p>  <p>2PC</p> | <p>L</p>  <p>4PC</p> | |
| <p>M</p>  <p>4PC</p> | <p>N</p>  <p>7PC</p> | <p>O</p>  <p>1PC</p> | <p>P</p>  <p>1PC</p> | <p>Q</p>  <p>2PC</p> |

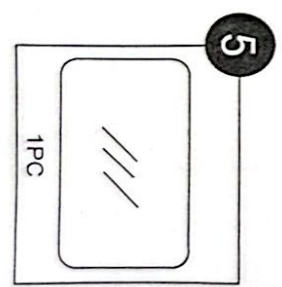
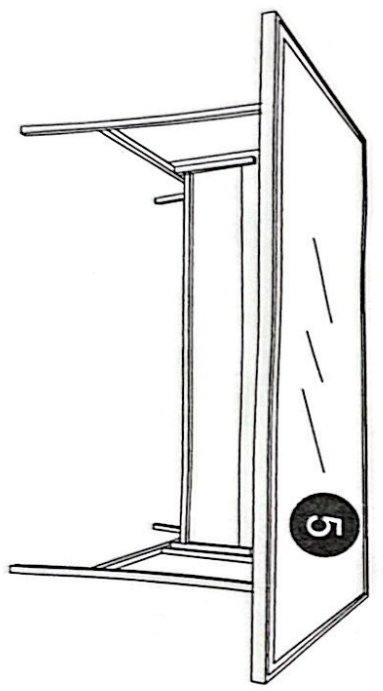
Step 1



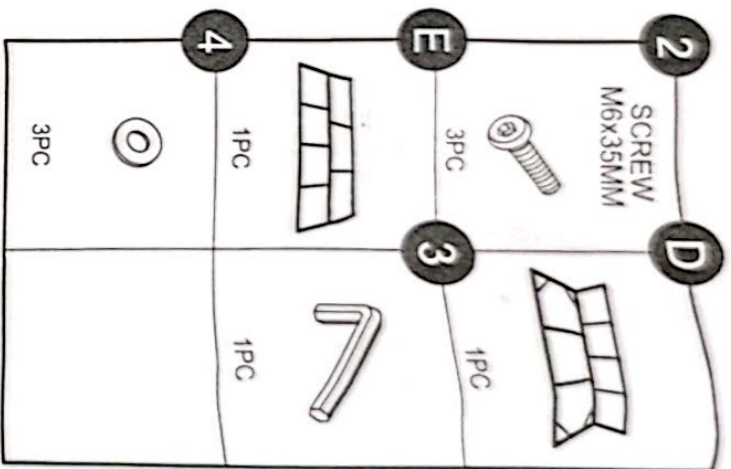
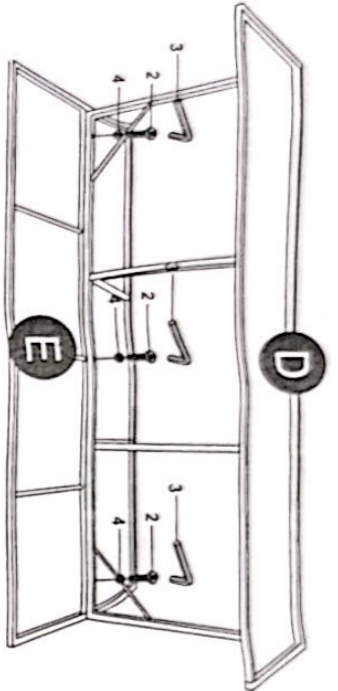
Step 2



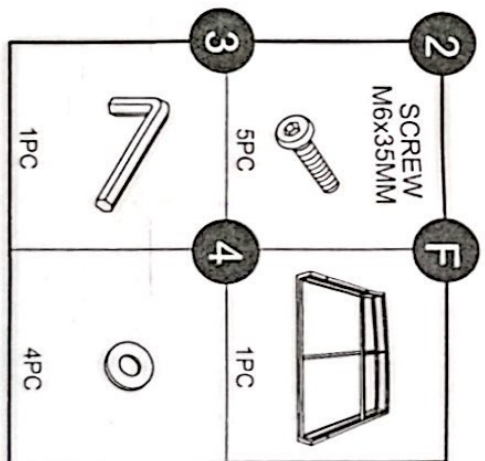
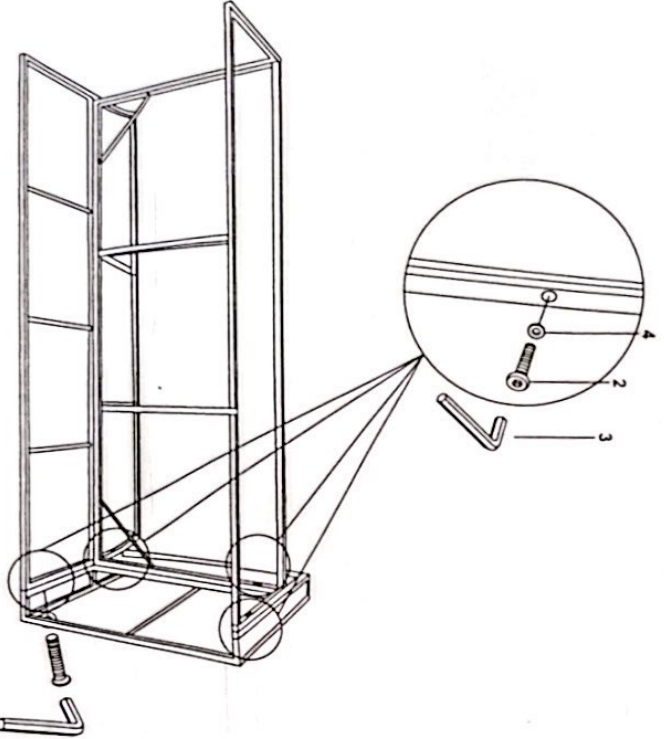
Step 3



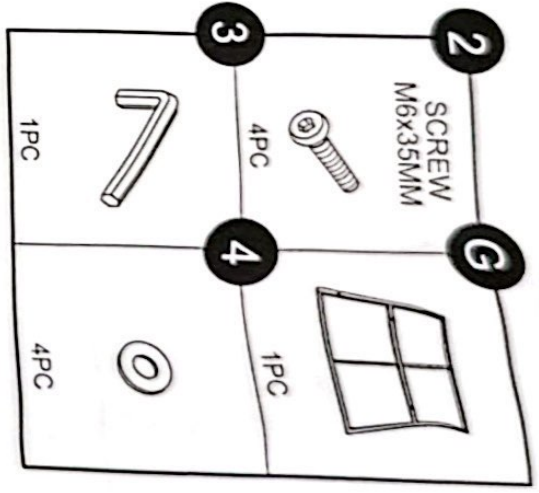
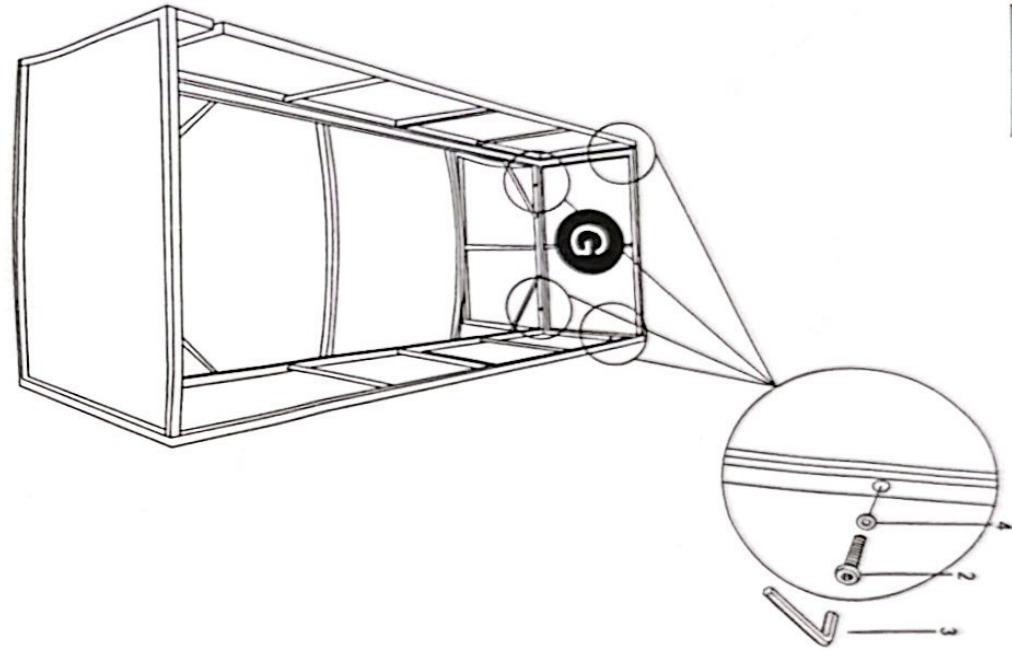
Step 1



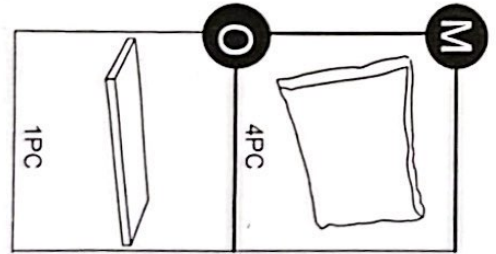
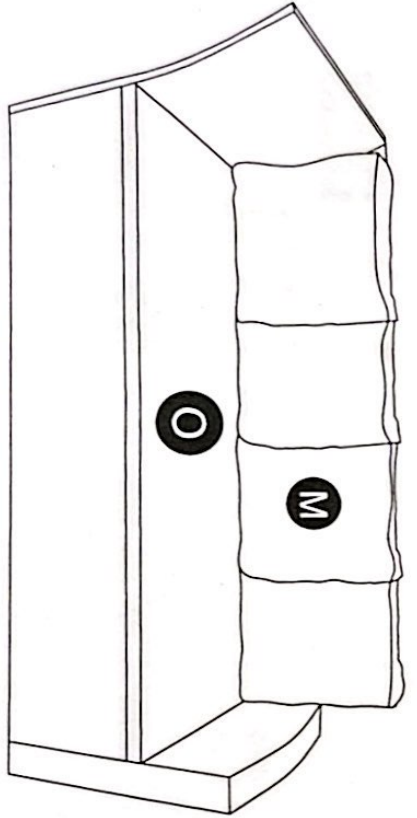
Step 2



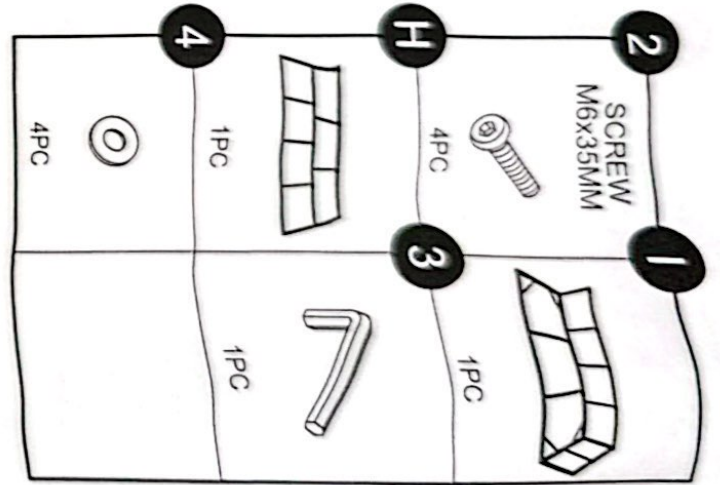
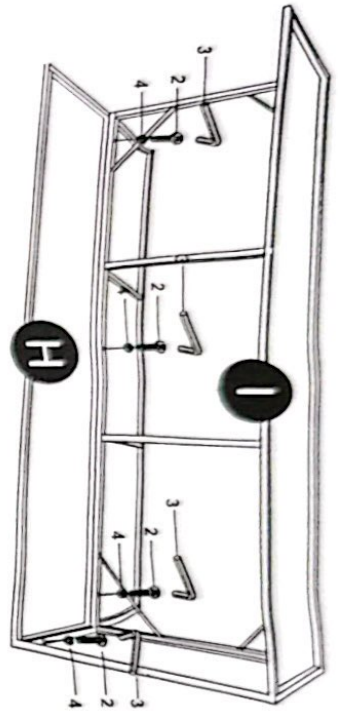
Step 3



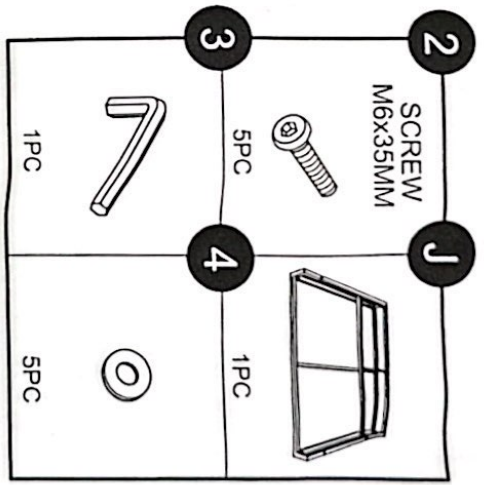
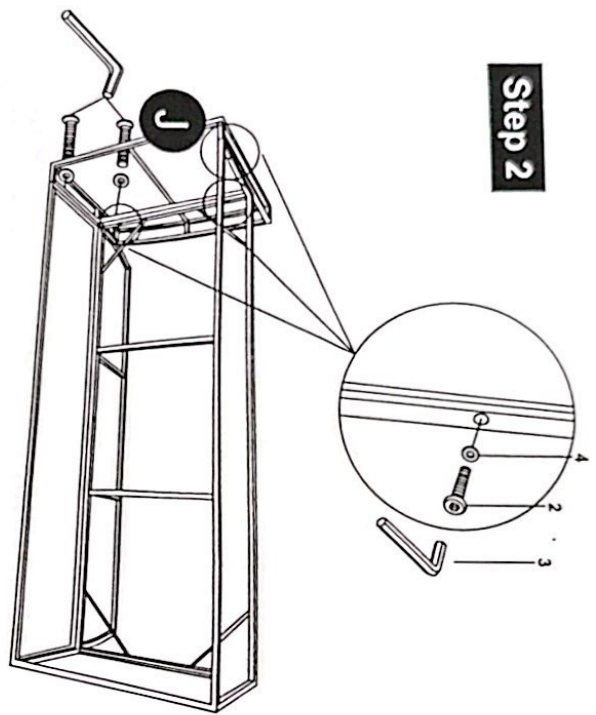
Step 4



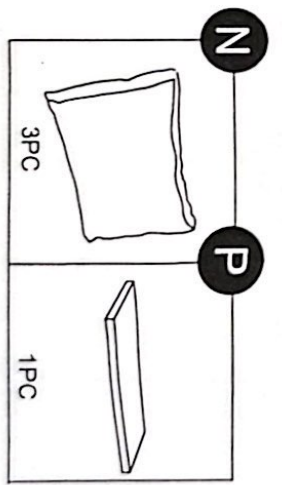
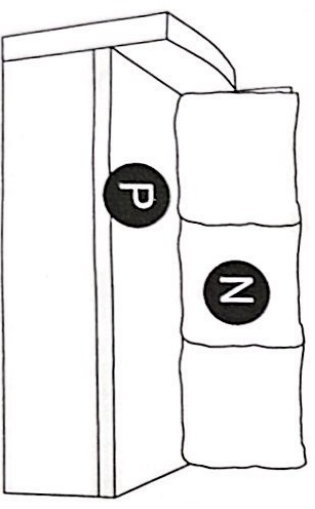
Step 1



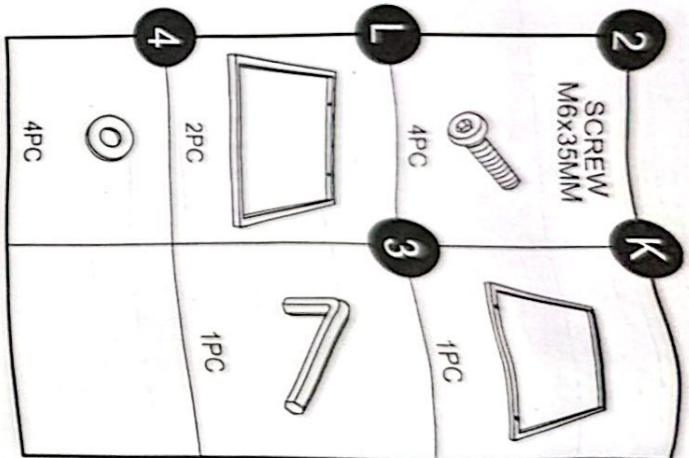
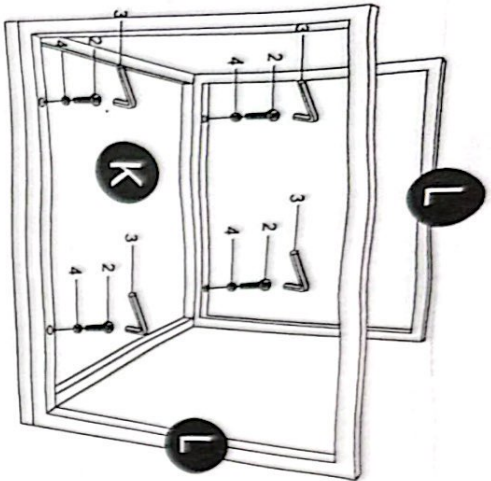
Step 2



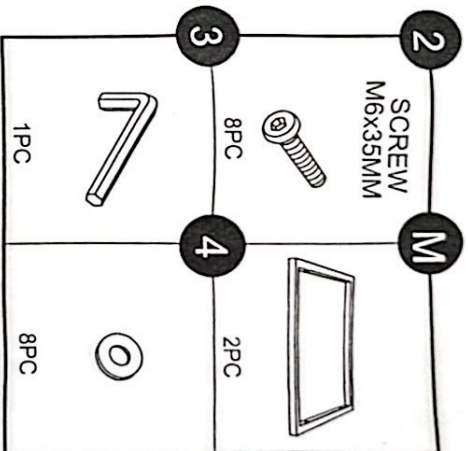
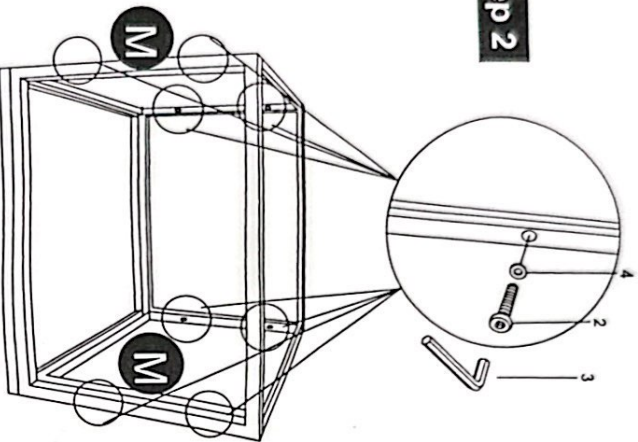
Step 3



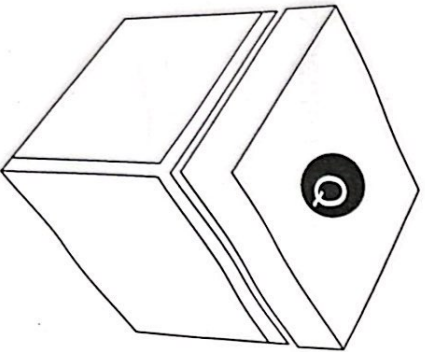
Step 1



Step 2



Step 3 Repeat to build another



x2

