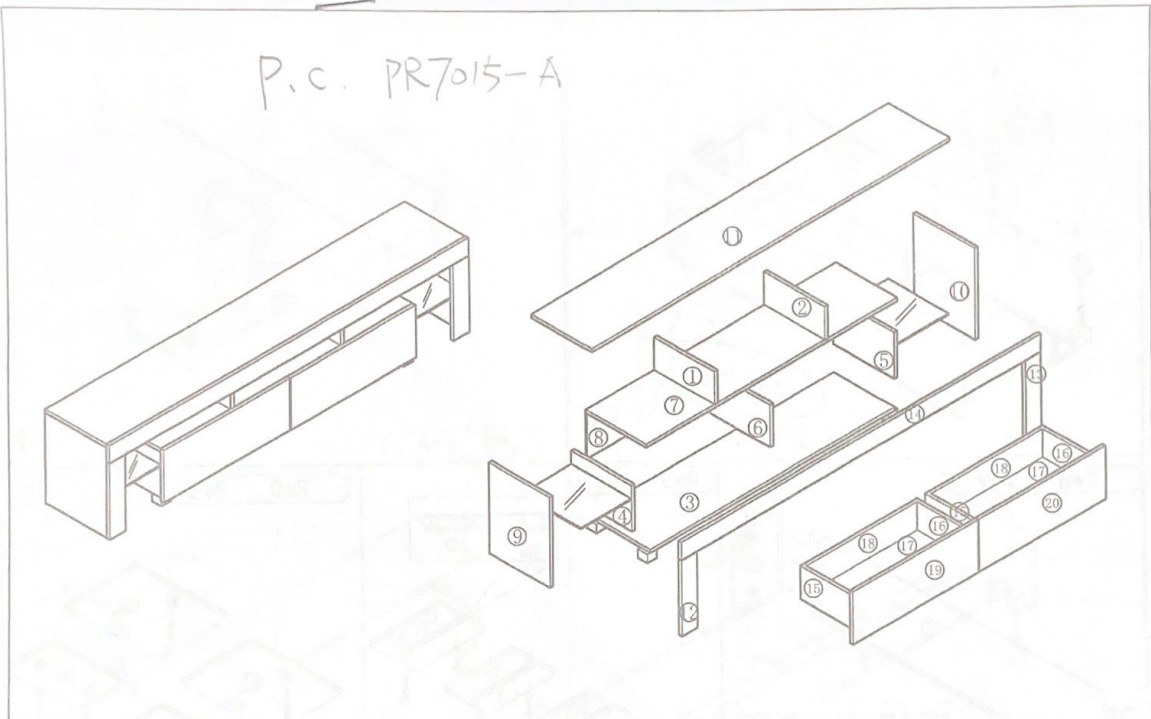
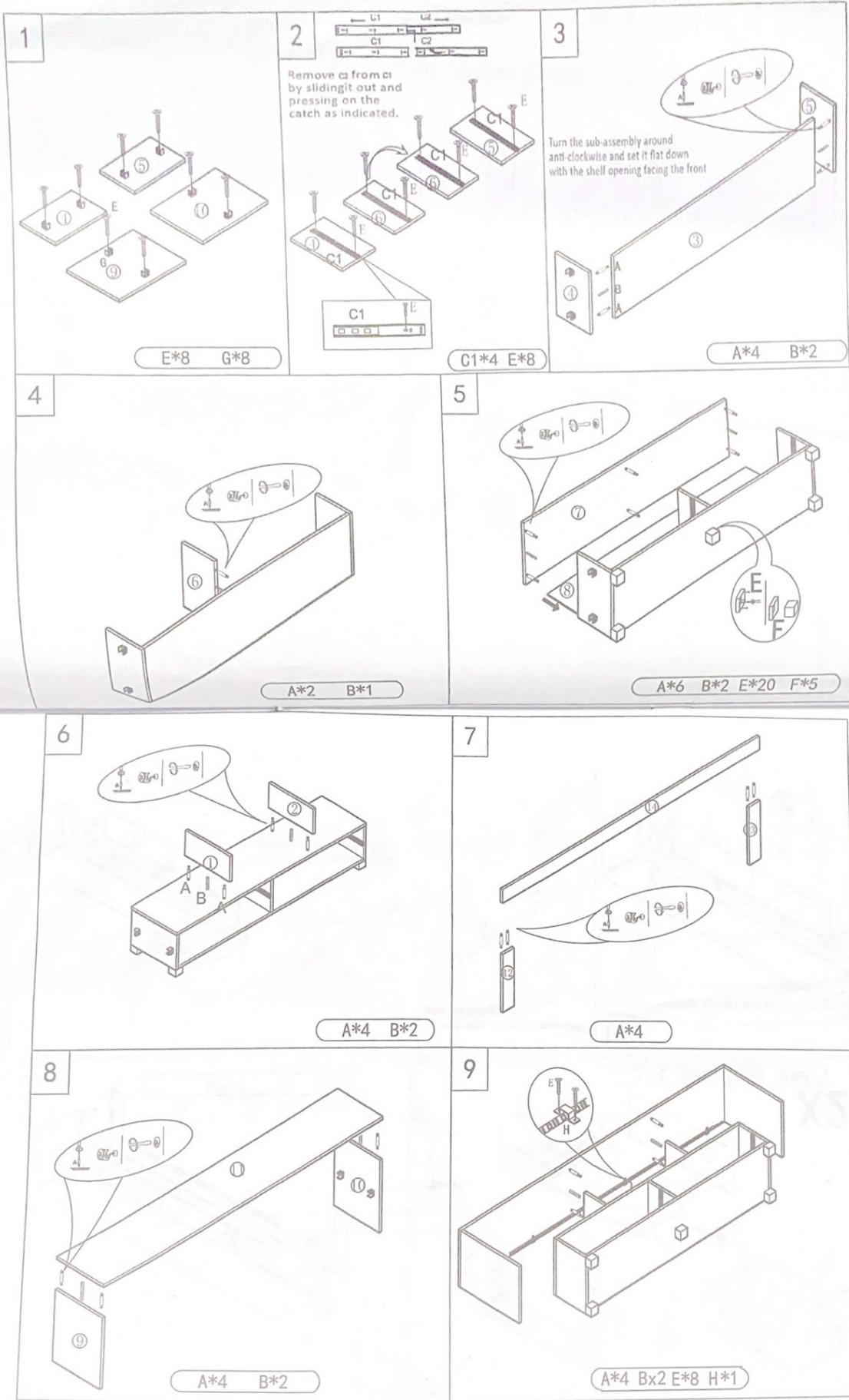


PR7015

P.c. PR7015-A



A 48pcs	B 11pcs	C 2pcs	D 8pcs	E 52pcs	F 5pcs	G 8pcs	H 1pcs



1

E*8 G*8

2

Remove \square from \square by sliding it out and pressing on the catch as indicated.

C1*4 E*8

3

Turn the sub-assembly around anti-clockwise and set it flat down with the shelf opening facing the front

A*4 B*2

4

A*2 B*1

5

A*6 B*2 E*20 F*5

6

A*4 B*2

7

A*4

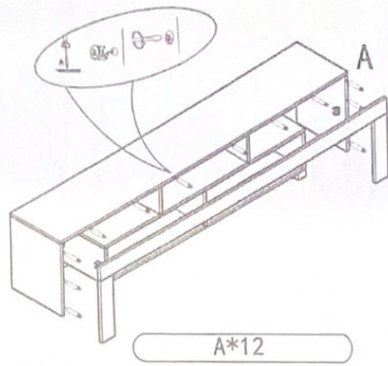
8

A*4 B*2

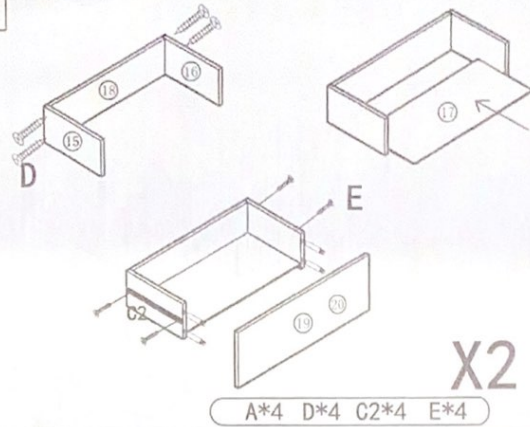
9

A*4 Bx2 E*8 H*1

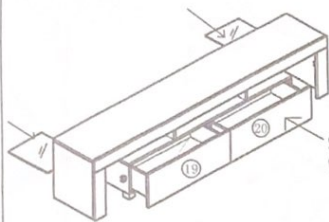
10



11

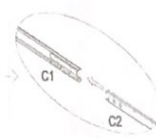
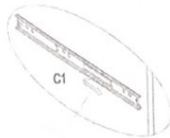


12



Slide the catch on runner C1 (affixed on cabinet) forward.

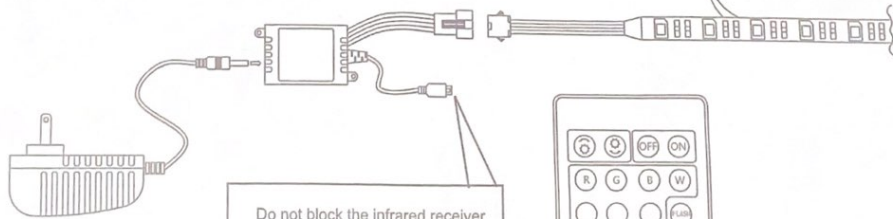
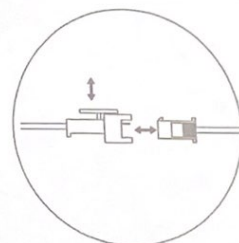
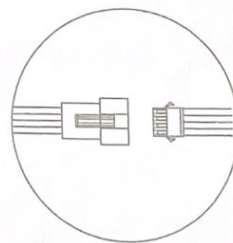
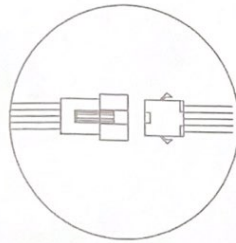
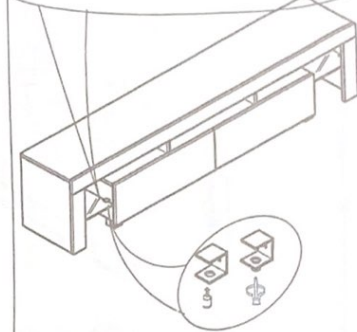
Slide in completed drawer with the steps outlined below.



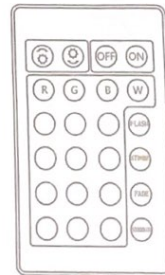
Next, slide in runner C2 (affixed to the drawer) as indicated in the diagram.

13

WARNING: FRAGILE, NO MOVING AFTER ASSEMBLE!



Do not block the infrared receiver, and also align the infrared receiver when operating.



Pull out the plastic sheet before use .