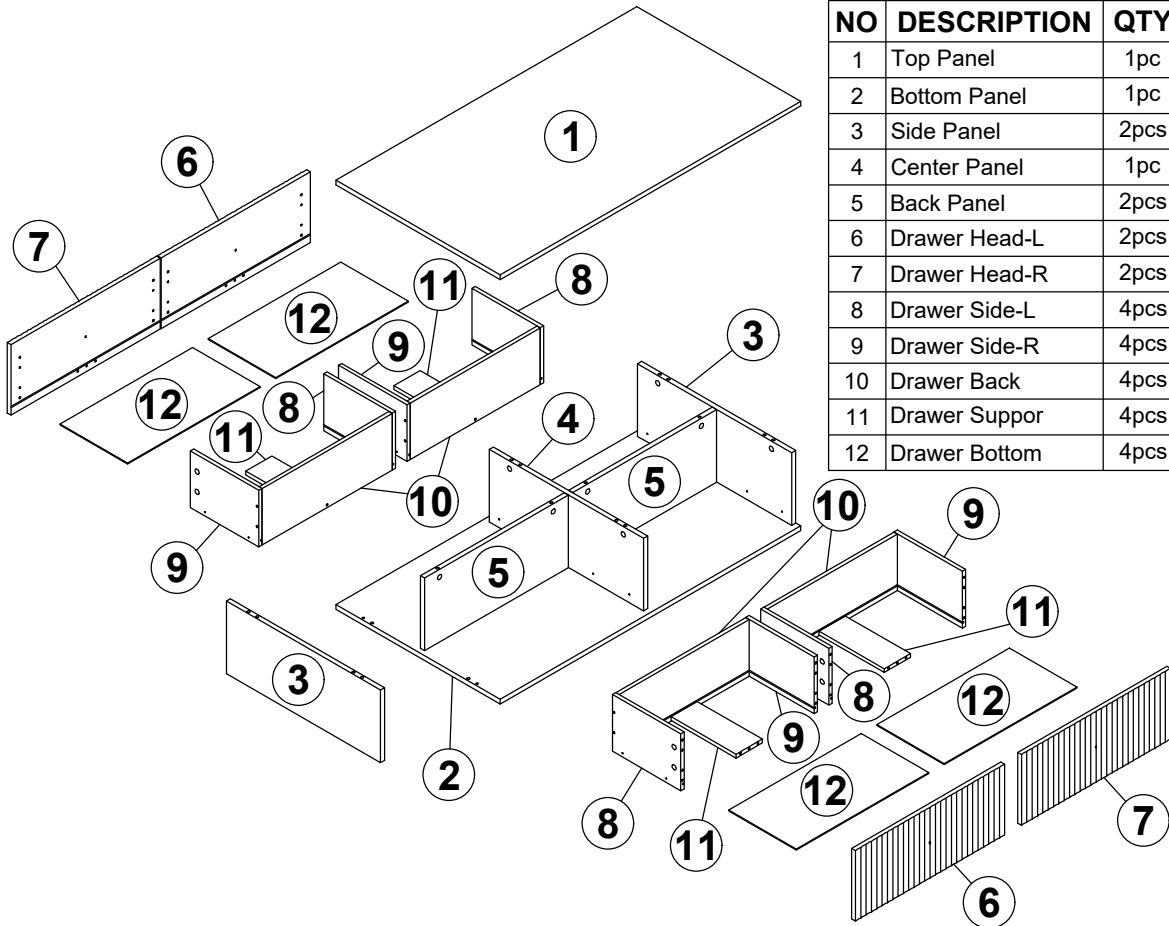
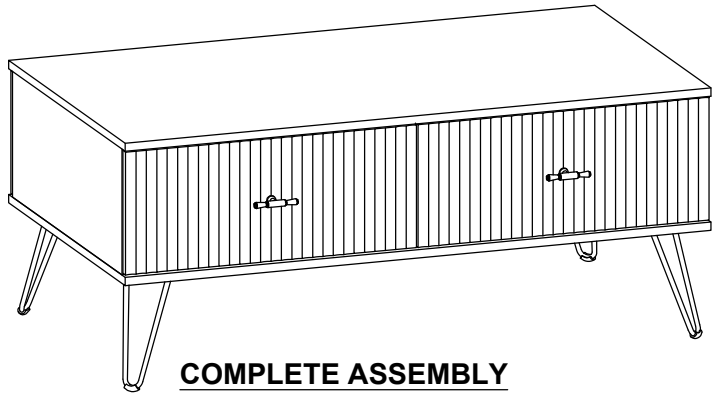


ASSEMBLY INSTRUCTIONS

MODEL: LILIUM COFFEE TABLE

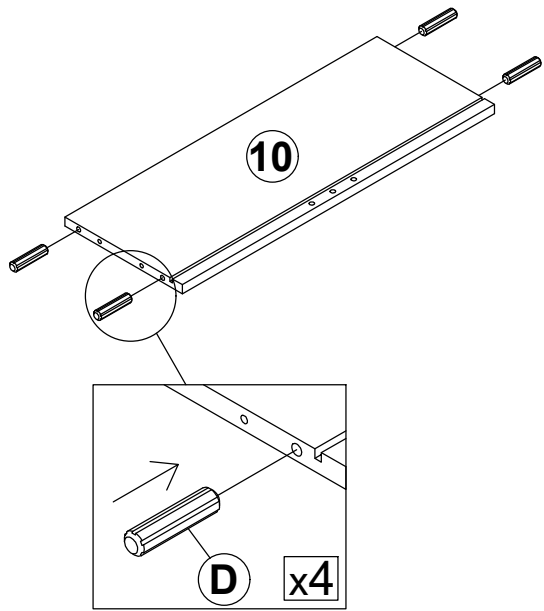


PART LIST		
NO	DESCRIPTION	QTY
1	Top Panel	1pc
2	Bottom Panel	1pc
3	Side Panel	2pcs
4	Center Panel	1pc
5	Back Panel	2pcs
6	Drawer Head-L	2pcs
7	Drawer Head-R	2pcs
8	Drawer Side-L	4pcs
9	Drawer Side-R	4pcs
10	Drawer Back	4pcs
11	Drawer Support	4pcs
12	Drawer Bottom	4pcs

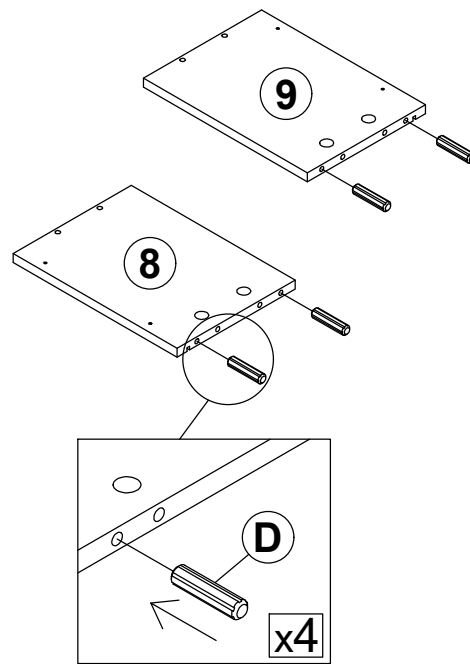
HARDWARE LIST

A 	B 	C 	D
CSK Cap Screw M6x50 10pcs	CSK Cap Screw M6x40 20pcs	Wood Dowel M8 x 25 12pcs	Wood Dowel M6 x 25 48pcs
E 	F 	G 	H
Quick Fix Bolt 30pcs	Quick Housing Ø15x12 10pcs	Quick Housing Ø15x9 20pcs	CSK Screw M3.5 x 12 40pcs
I 	J 	K 	L
CSK Screw M4 x 16 16pcs	Leg 4pcs	Handle With Screw 4sets	Allen Key M4 1pc
M 			
Drawer Slide (250mm) 8pcs			

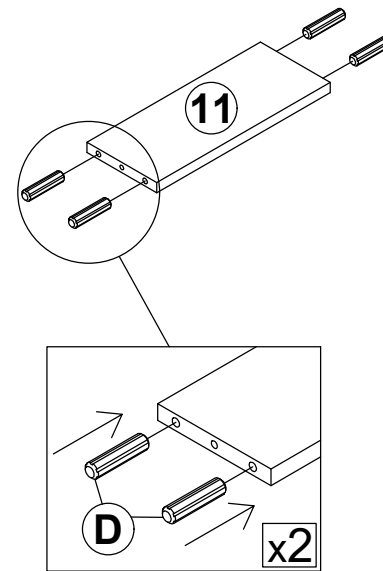
Step 1 (x4)



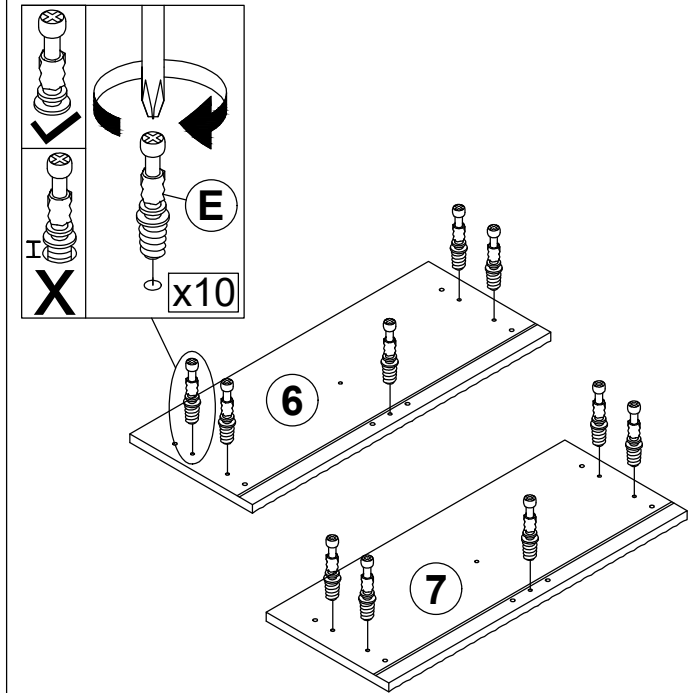
Step 2 (x4)



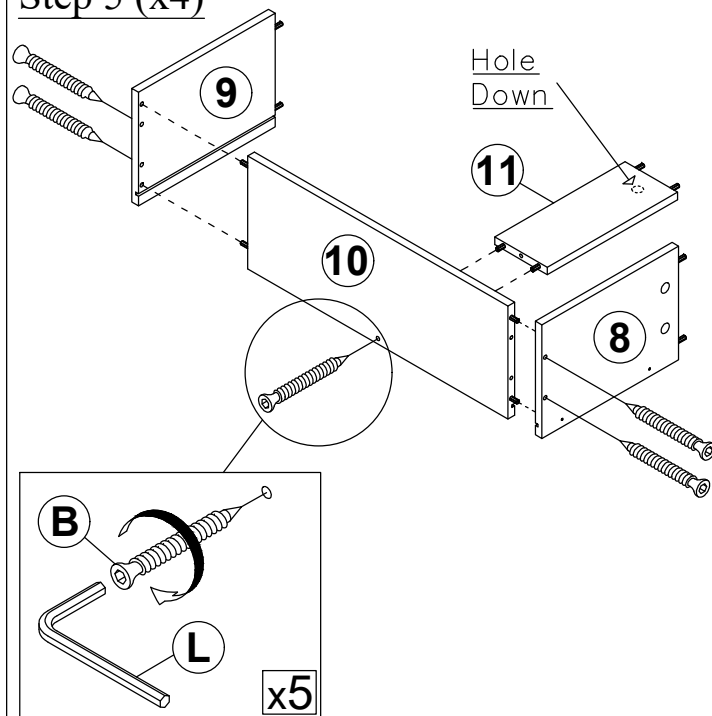
Step 3 (x4)



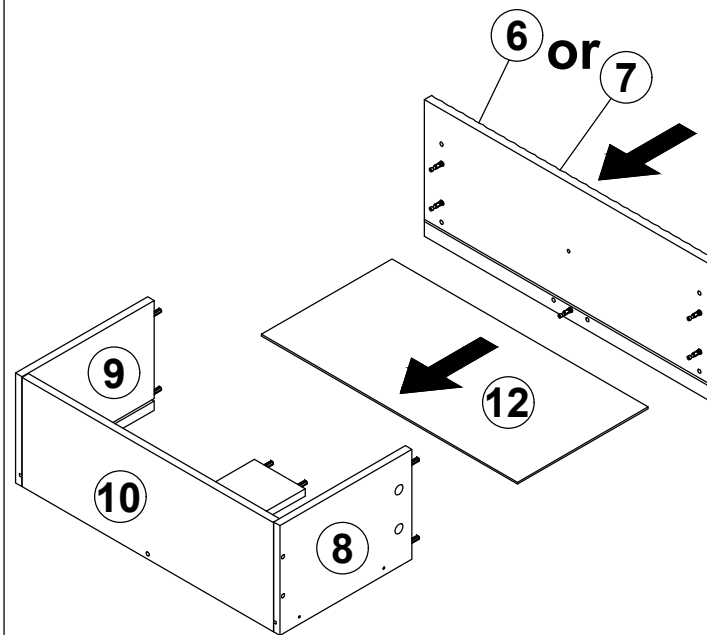
Step 4 (x2)



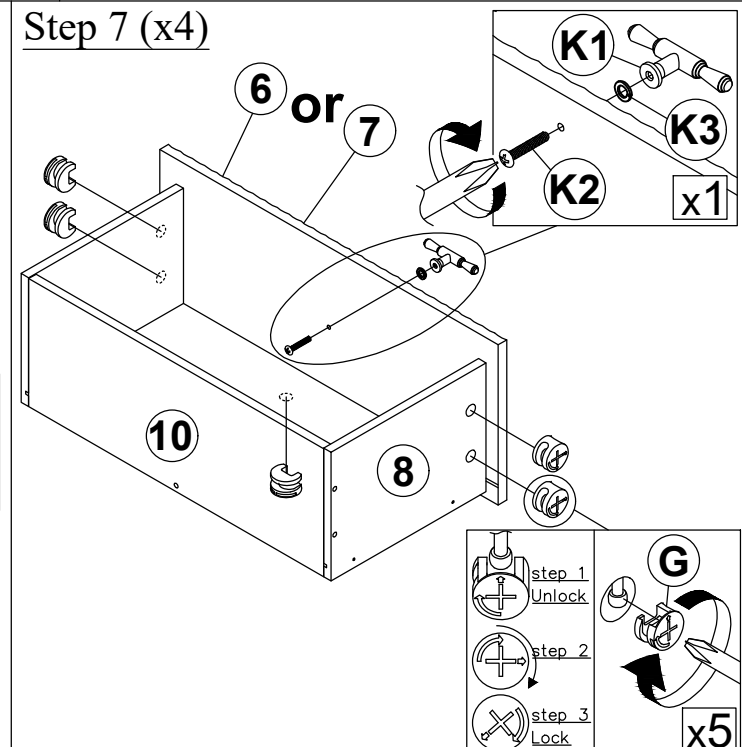
Step 5 (x4)



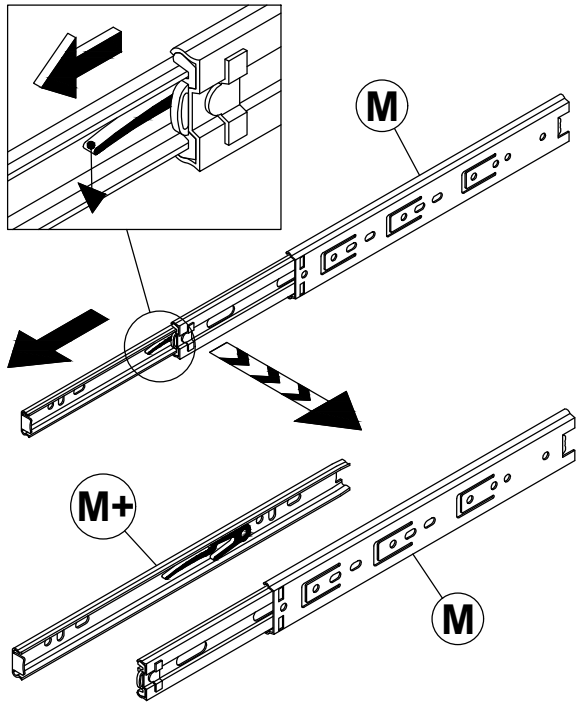
Step 6 (x4)



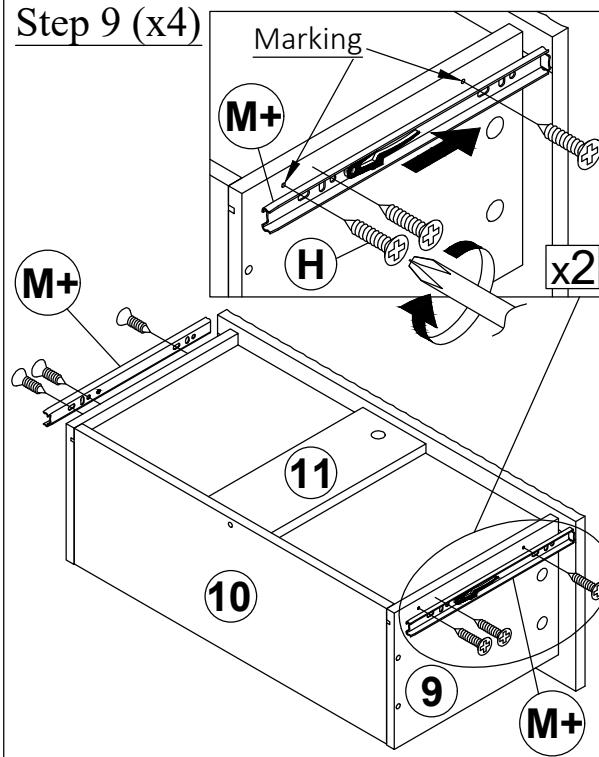
Step 7 (x4)



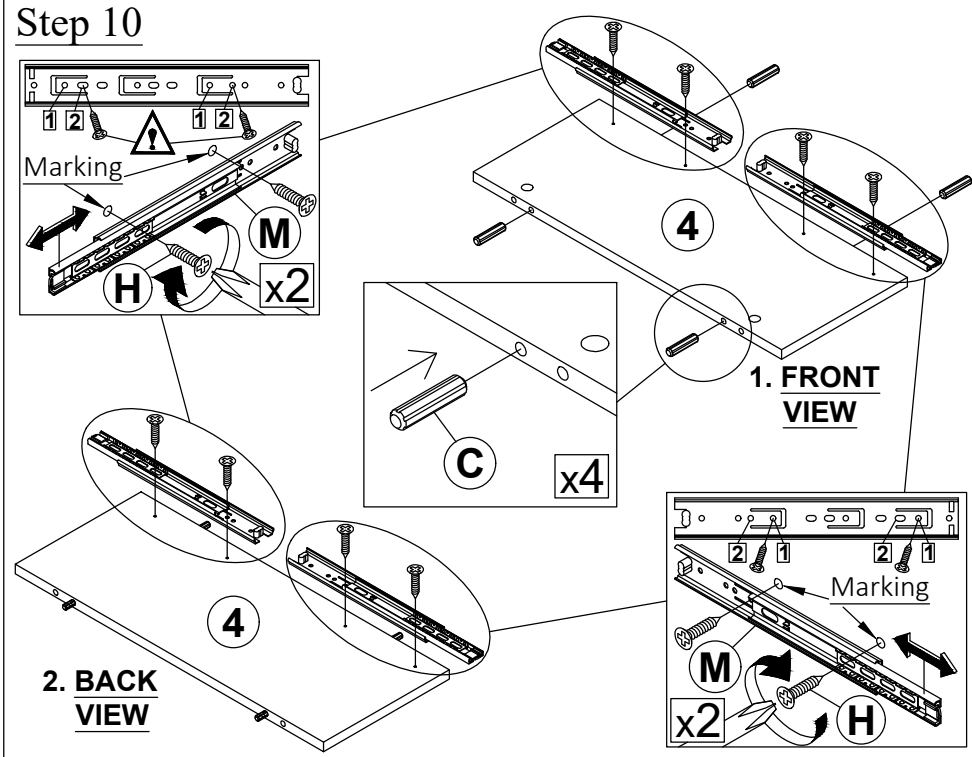
Step 8



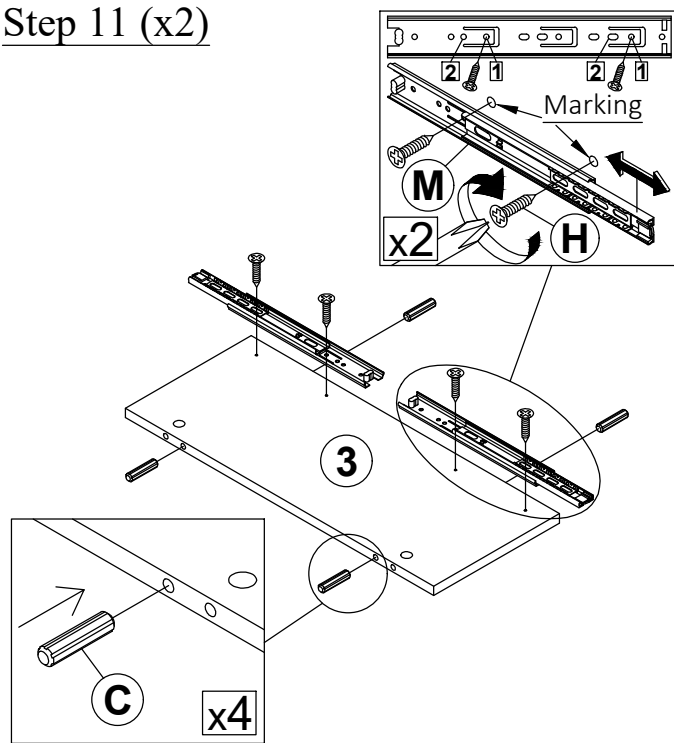
Step 9 (x4)



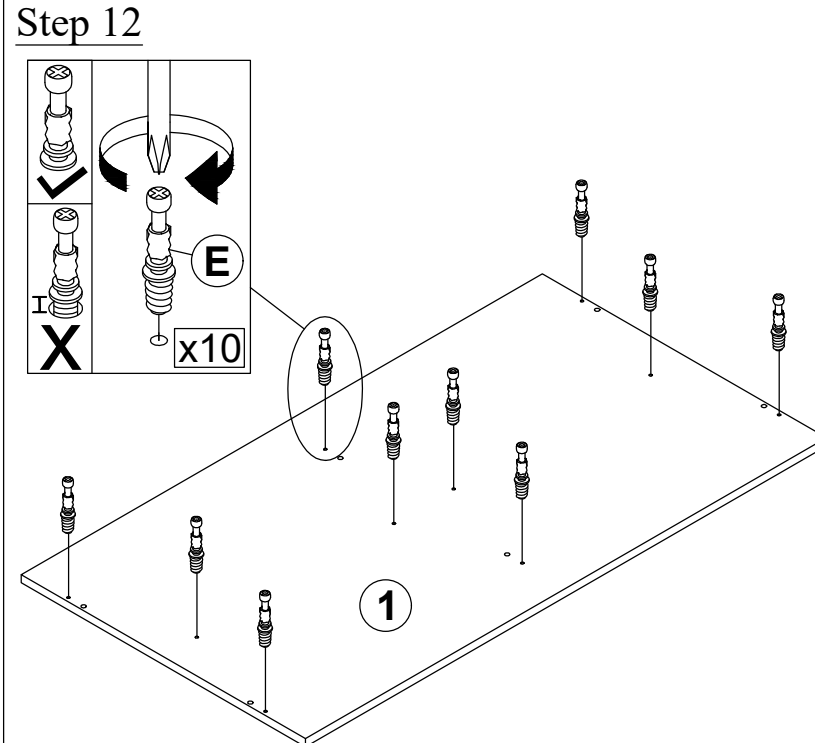
Step 10



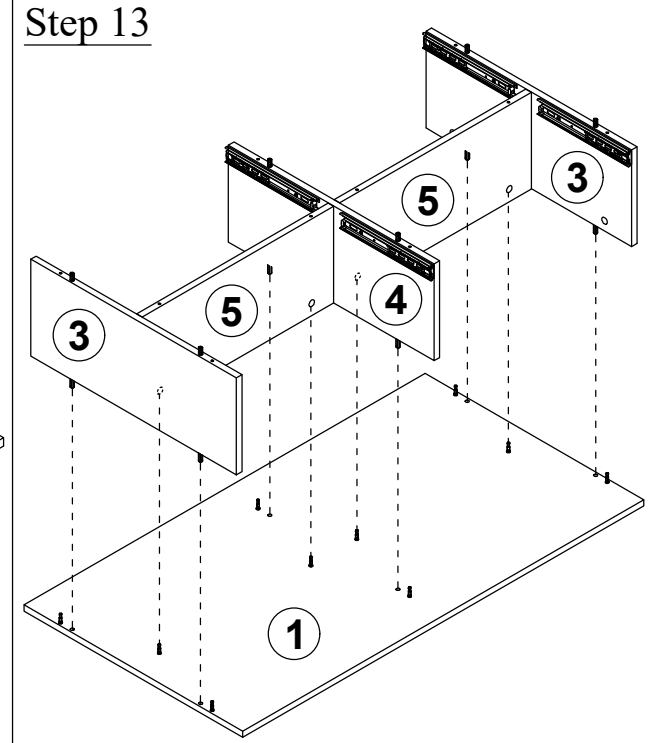
Step 11 (x2)



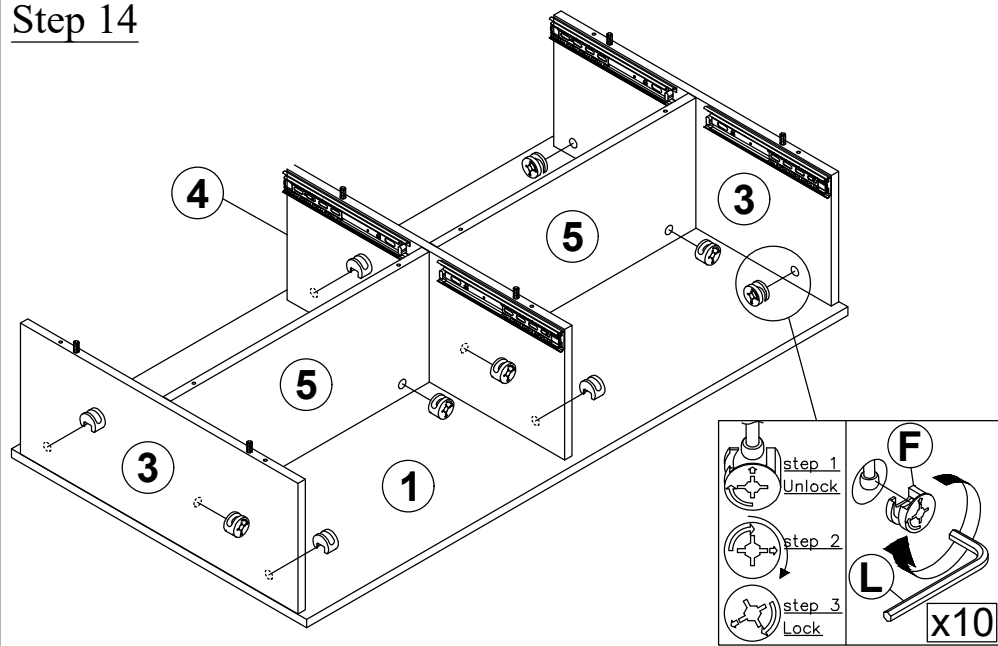
Step 12



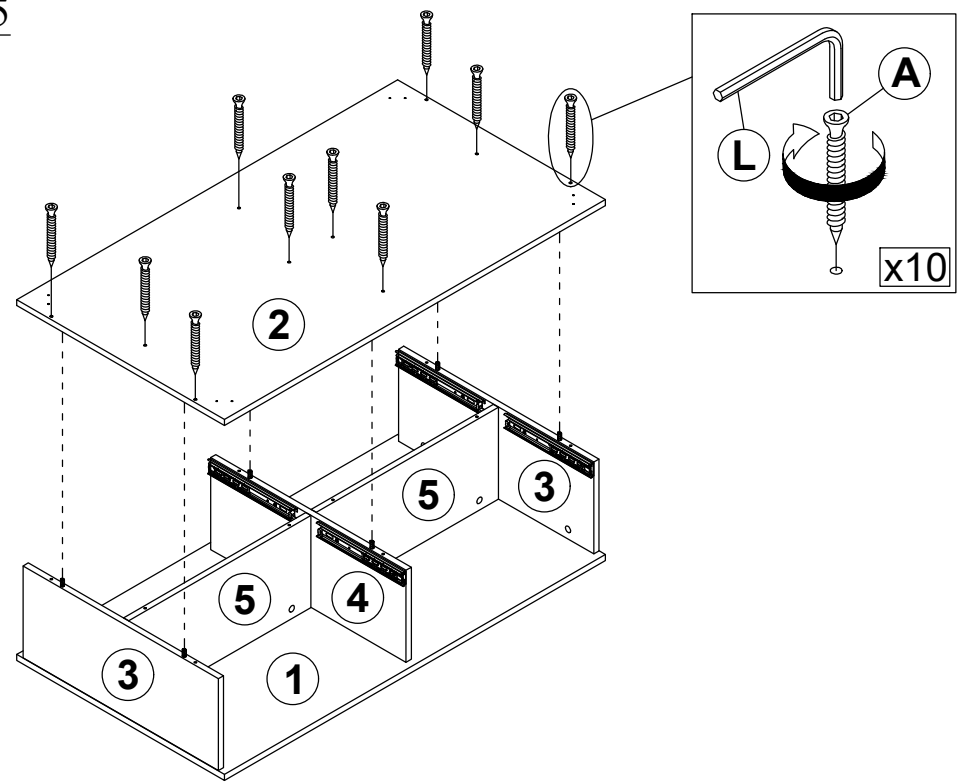
Step 13



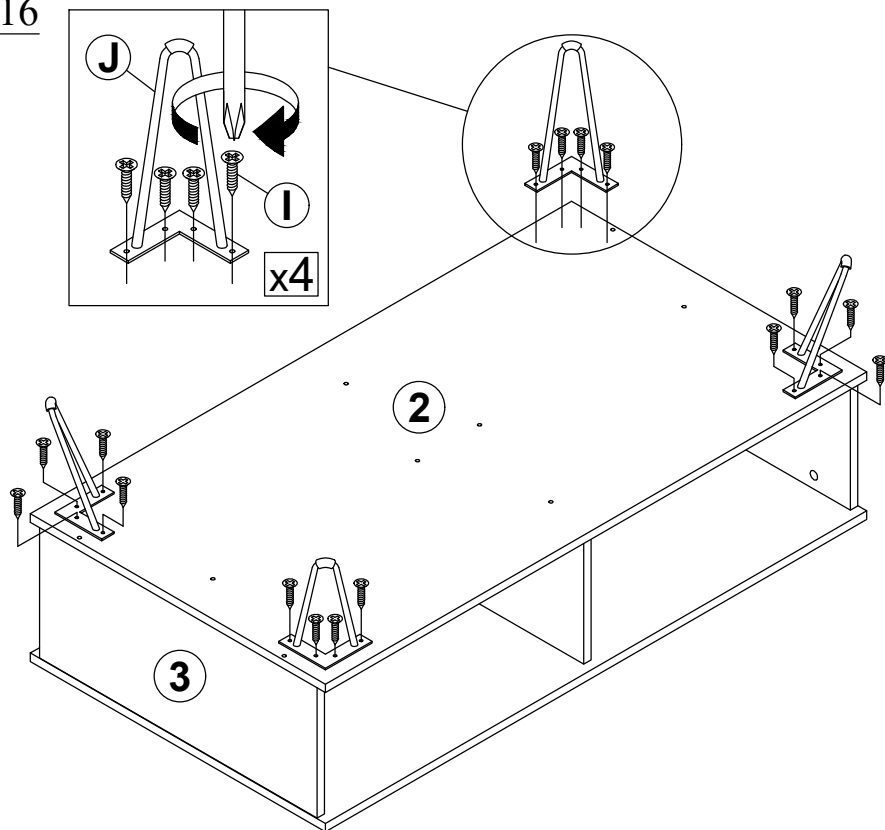
Step 14



Step 15



Step 16



Step 17 Finish

