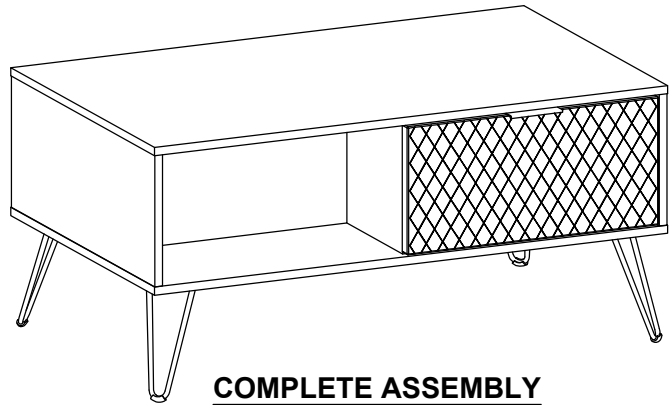
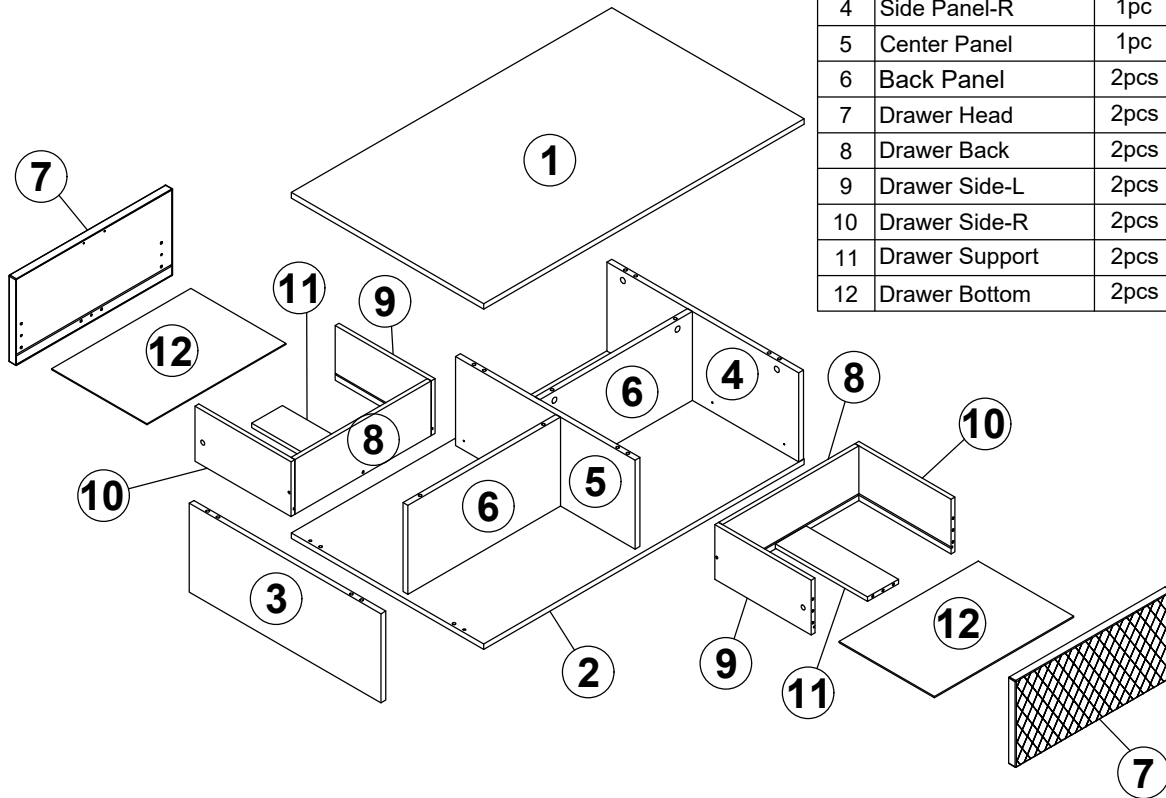


ASSEMBLY INSTRUCTIONS

MODEL: PETUNIA COFFEE TABLE



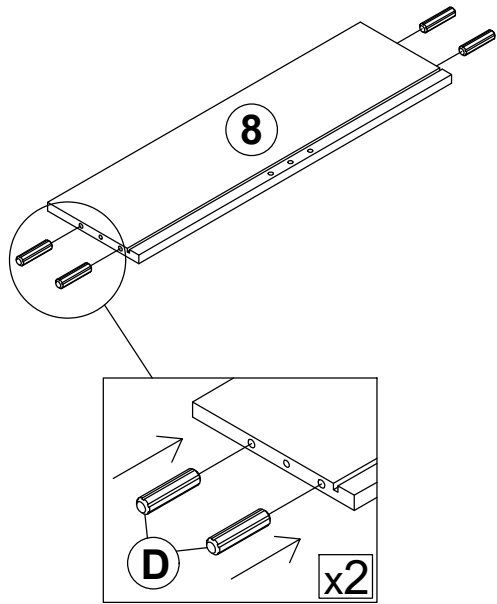
PART LIST		
NO	DESCRIPTION	QTY
1	Top Panel	1pc
2	Bottom Panel	1pc
3	Side Panel-L	1pc
4	Side Panel-R	1pc
5	Center Panel	1pc
6	Back Panel	2pcs
7	Drawer Head	2pcs
8	Drawer Back	2pcs
9	Drawer Side-L	2pcs
10	Drawer Side-R	2pcs
11	Drawer Support	2pcs
12	Drawer Bottom	2pcs



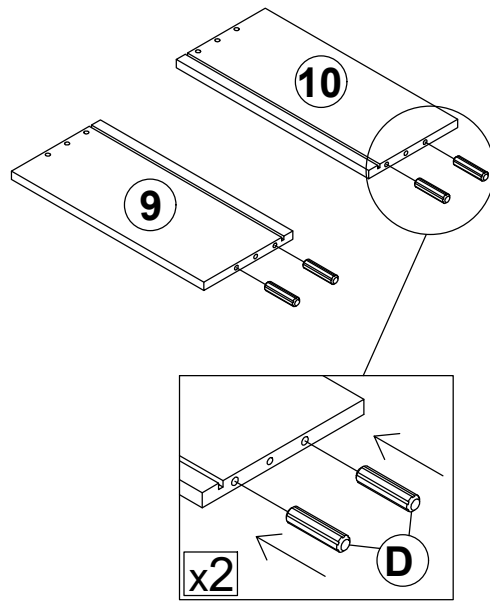
HARDWARE LIST

A	B	C	D
CSK Cap Screw M6x50 10pcs	CSK Cap Screw M6x40 6pcs	Wood Dowel M8 x 25 12pcs	Wood Dowel M6 x 25 24pcs
E	F	G	H
Quick Fix Bolt 16pcs	Quick Housing Ø15x12 10pcs	Quick Housing Ø15x9 6pcs	CSK Screw M3.5 x 16 28pcs
I	J	K	L
CSK Screw M4 x 16 16pcs	Cap Cover 3pcs	Handle 2pcs	Allen Key M4 1pc
M	N		
Leg 4pcs	N1 (Panel) N2 (Drawer)		
	Drawer Slide (300mm) L&R 2 sets		

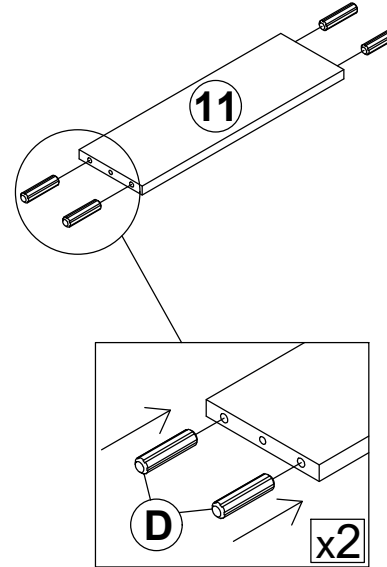
Step 1 (x2)



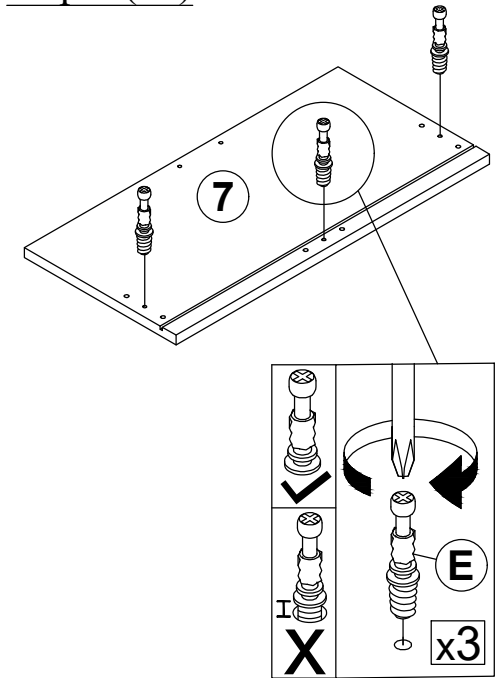
Step 2 (x2)



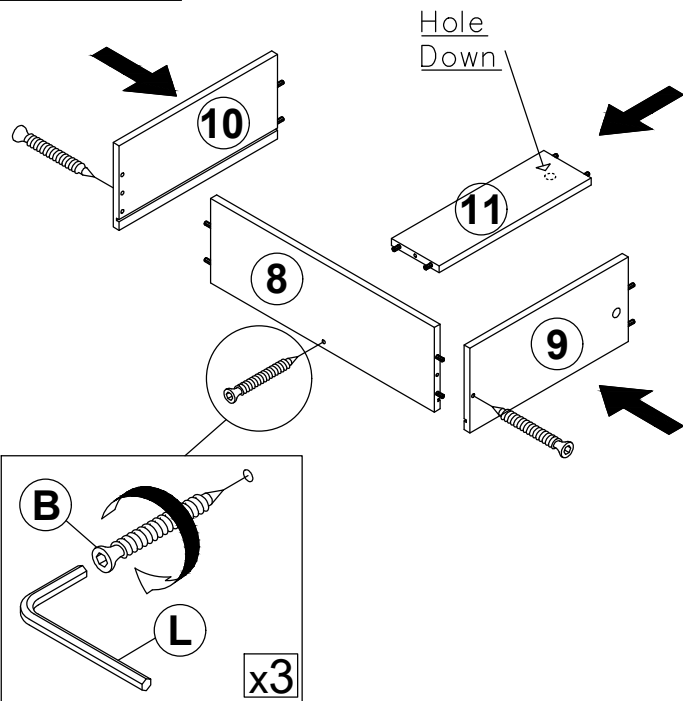
Step 3 (x2)



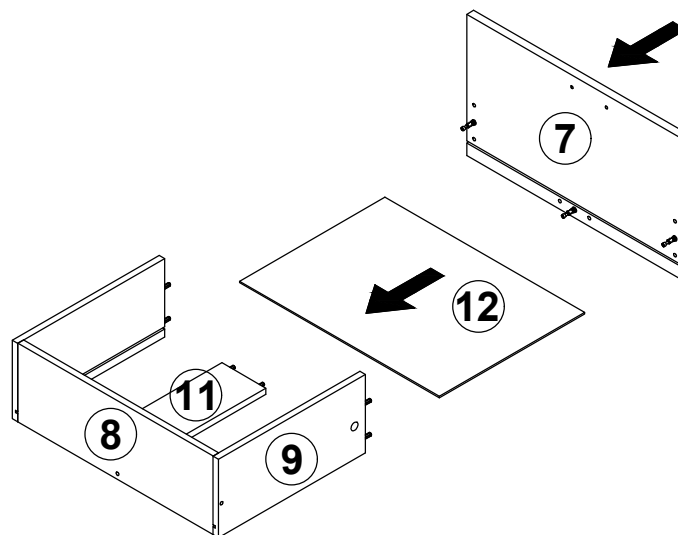
Step 4 (x2)



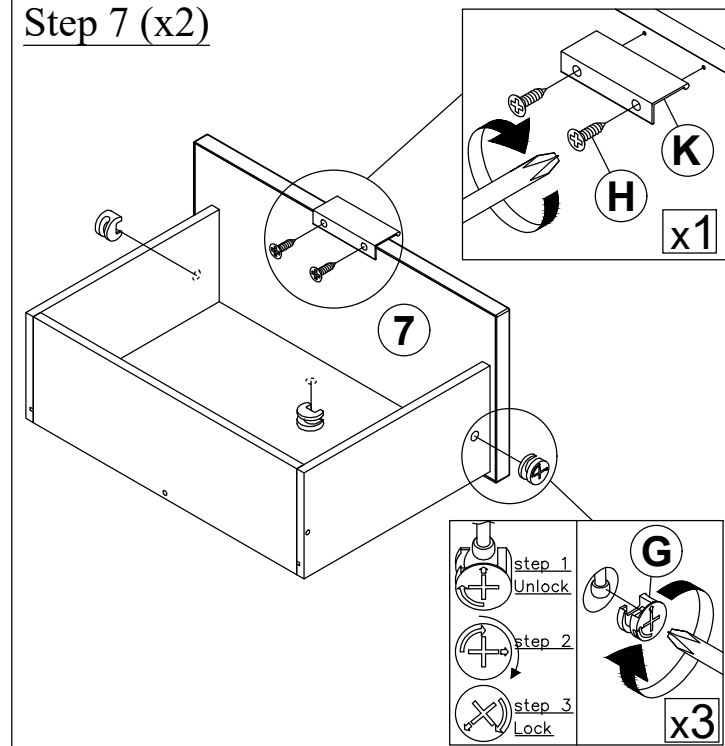
Step 5 (x2)



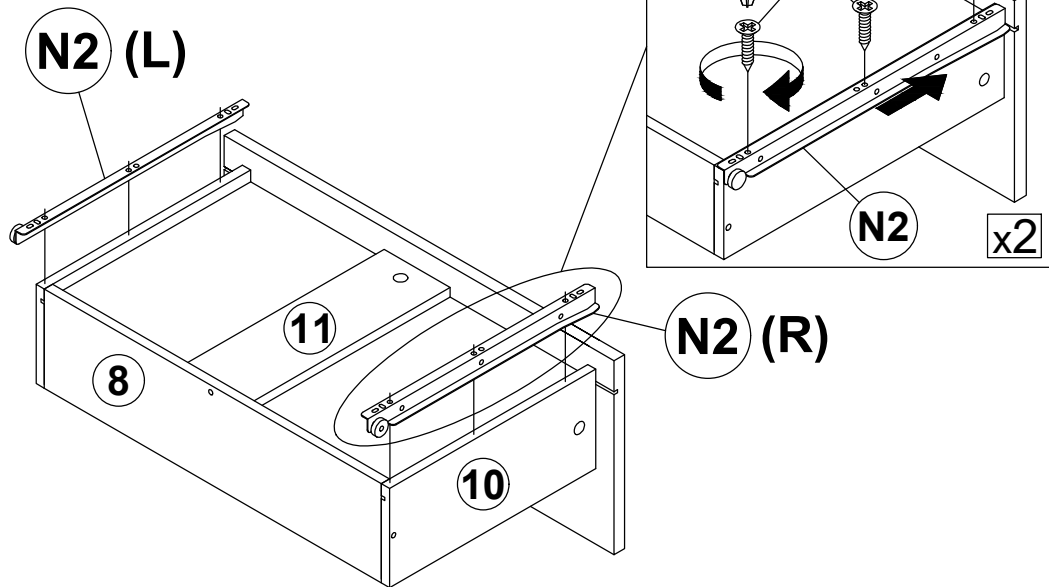
Step 6 (x2)



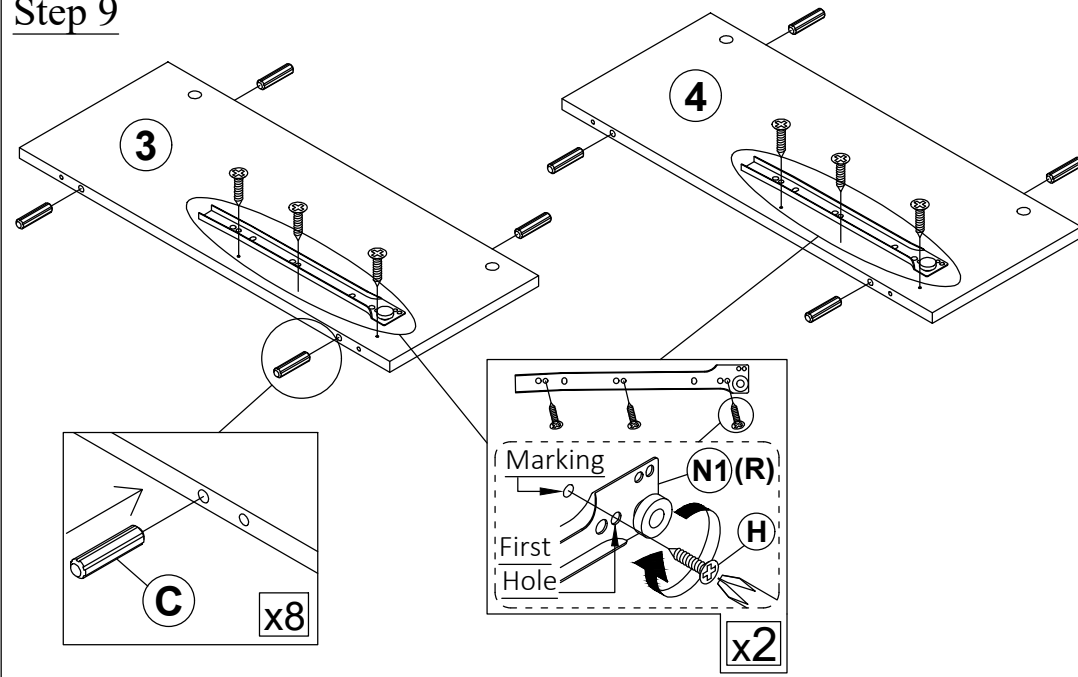
Step 7 (x2)



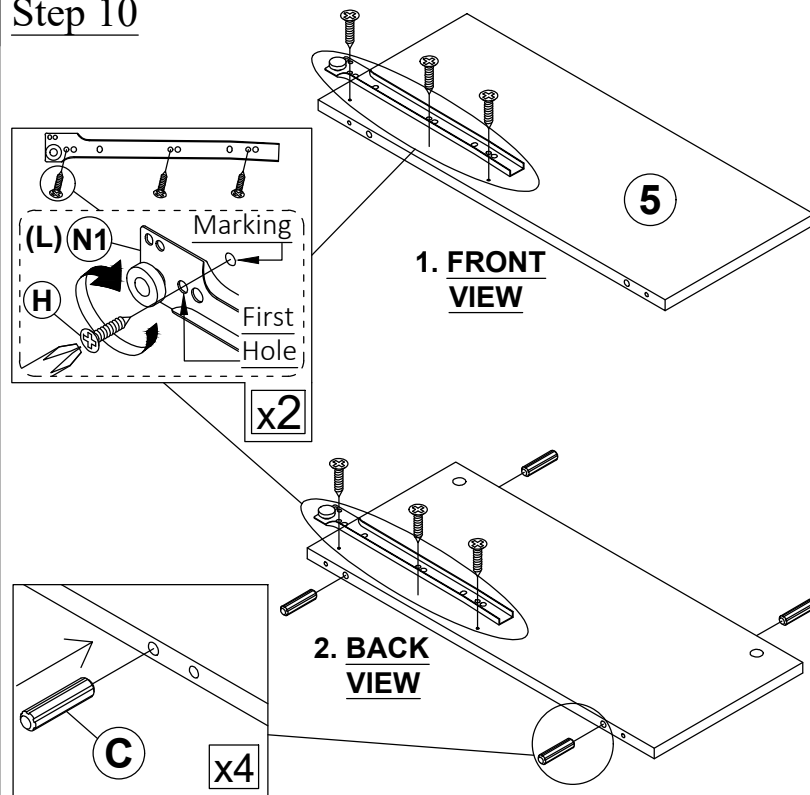
Step 8 (x2)



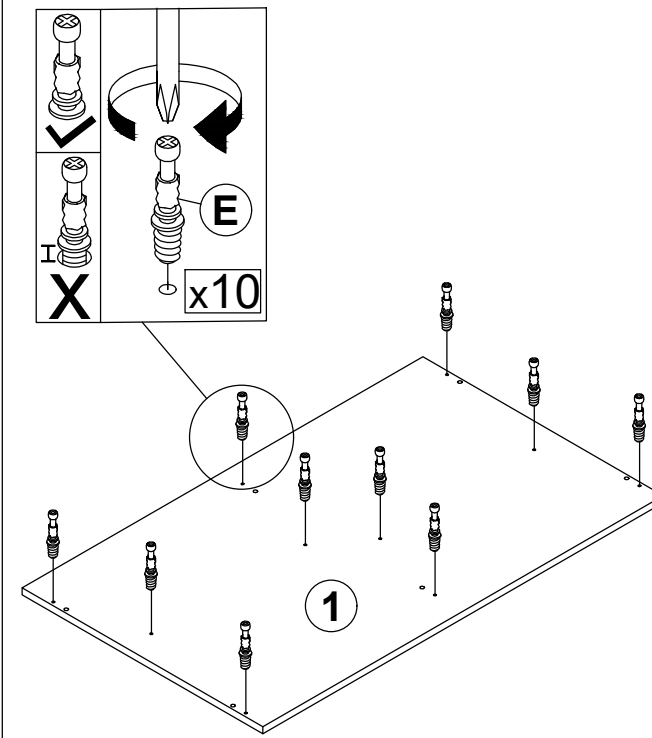
Step 9



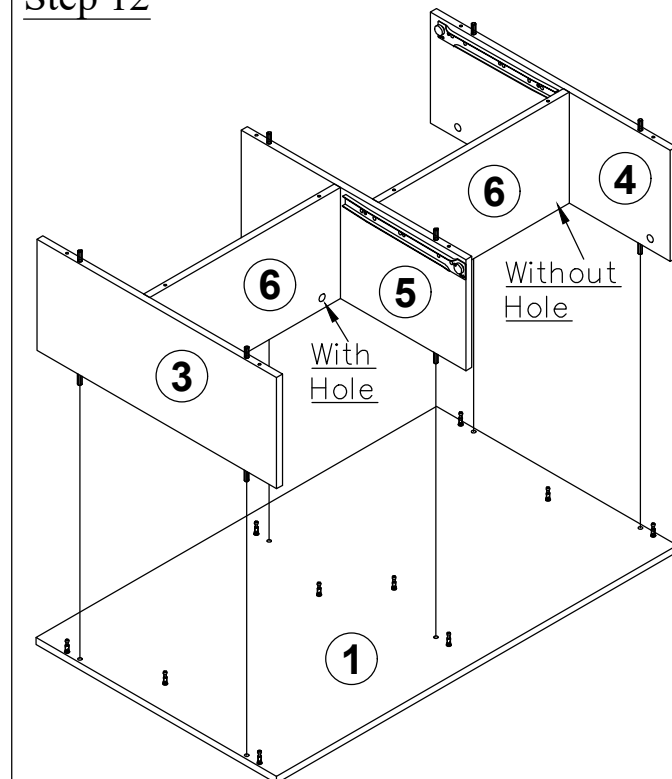
Step 10



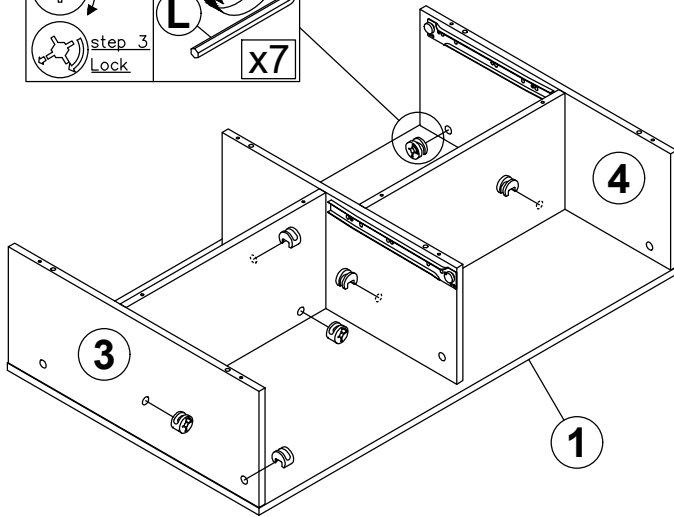
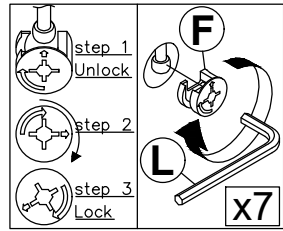
Step 11



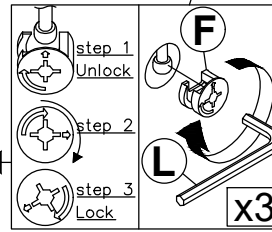
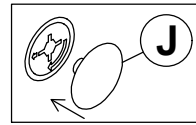
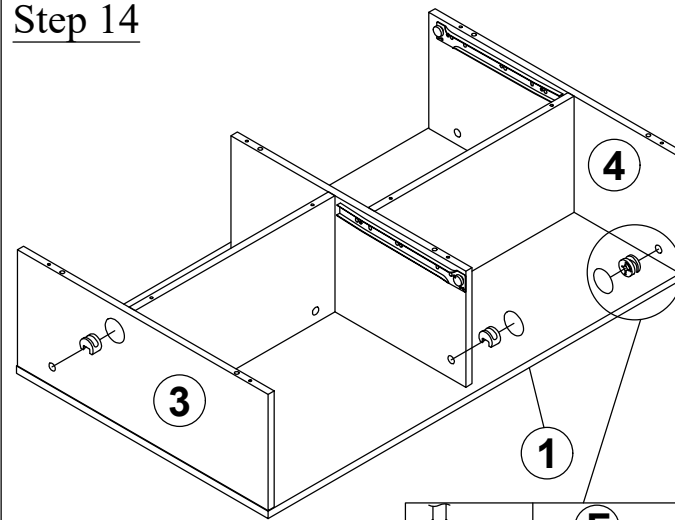
Step 12



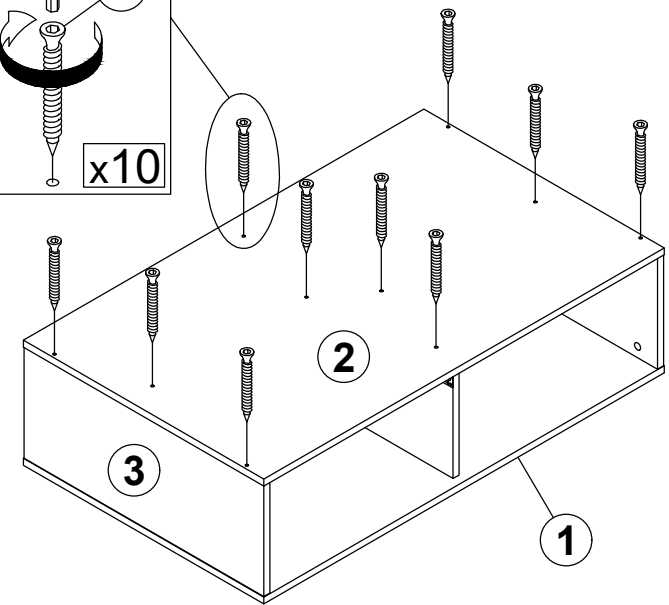
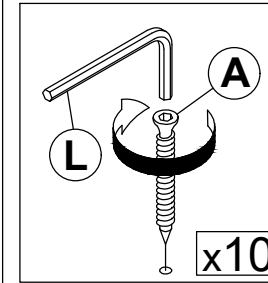
Step 13



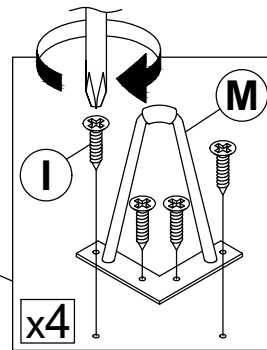
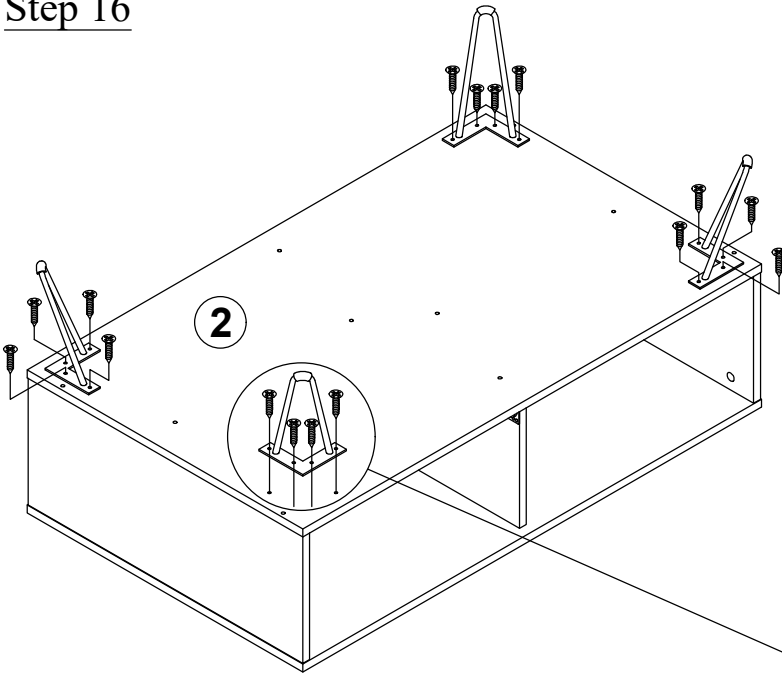
Step 14



Step 15



Step 16



Step 17 Finish

