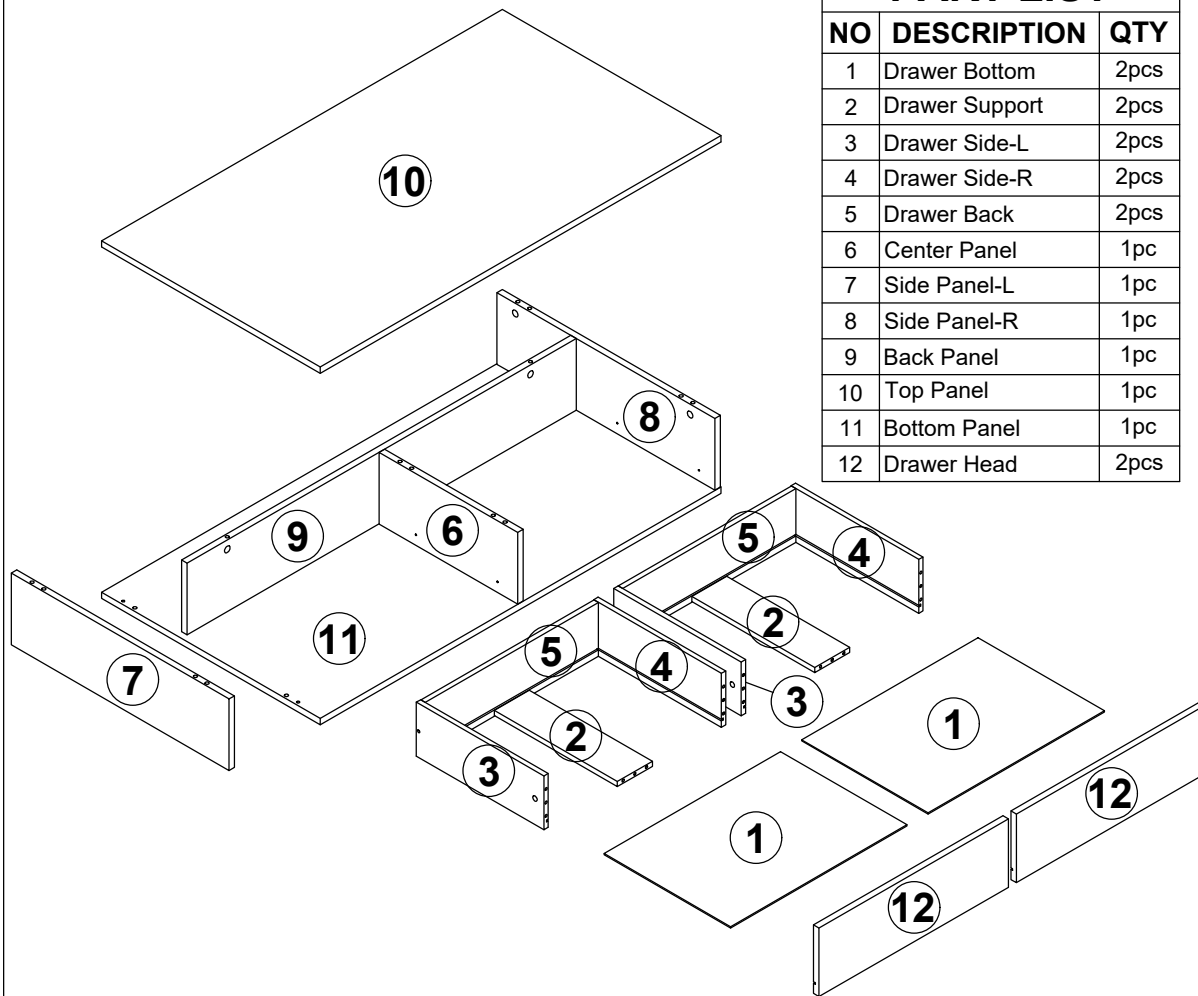
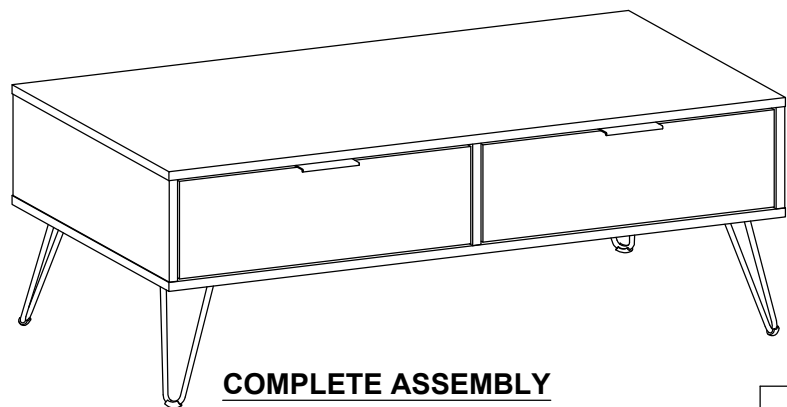


# ASSEMBLY INSTRUCTIONS

# MODEL: ZINNIA COFFEE TABLE

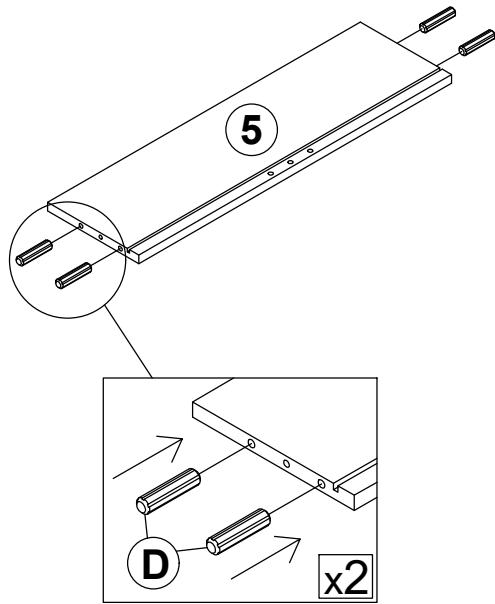


PART LIST		
NO	DESCRIPTION	QTY
1	Drawer Bottom	2pcs
2	Drawer Support	2pcs
3	Drawer Side-L	2pcs
4	Drawer Side-R	2pcs
5	Drawer Back	2pcs
6	Center Panel	1pc
7	Side Panel-L	1pc
8	Side Panel-R	1pc
9	Back Panel	1pc
10	Top Panel	1pc
11	Bottom Panel	1pc
12	Drawer Head	2pcs

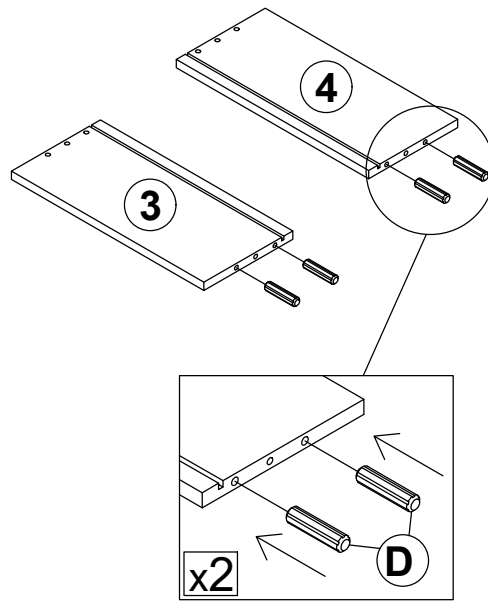
## HARDWARE LIST

A	B	C	D
CSK Cap Screw M6x50 8pcs	CSK Cap Screw M6x40 6pcs	Wood Dowel M8 x 25 12pcs	Wood Dowel M6 x 25 24pcs
E	F	G	H
Quick Fix Bolt 14pcs	Quick Housing Ø15x12 8pcs	Quick Housing Ø15x9 6pcs	CSK Screw M3.5 x 16 28pcs
I	J	K	L
CSK Screw M4 x 16 16pcs	Leg 4pcs	Allen Key M4 1pc	Handle 2pcs
M	N		
	 (L) (R) (L) (R) N1 (Panel) N2 (Drawer)		
Cap Cover 2pcs	Drawer Slide (350mm) L&R 2sets		

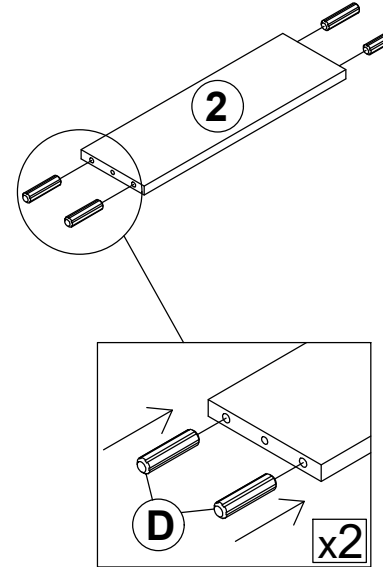
Step 1 (x2)



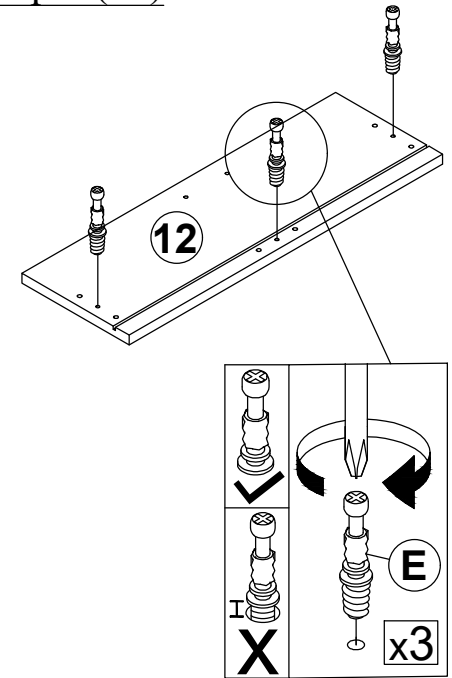
Step 2 (x2)



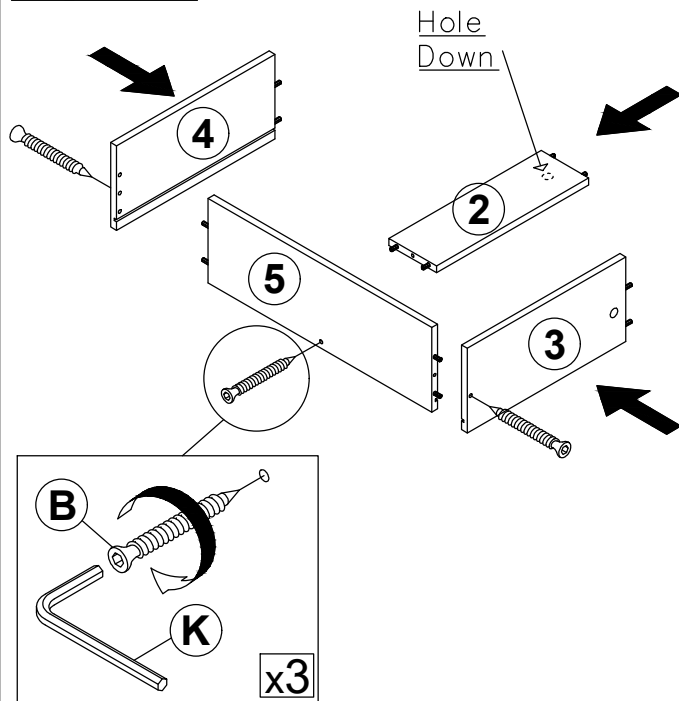
Step 3 (x2)



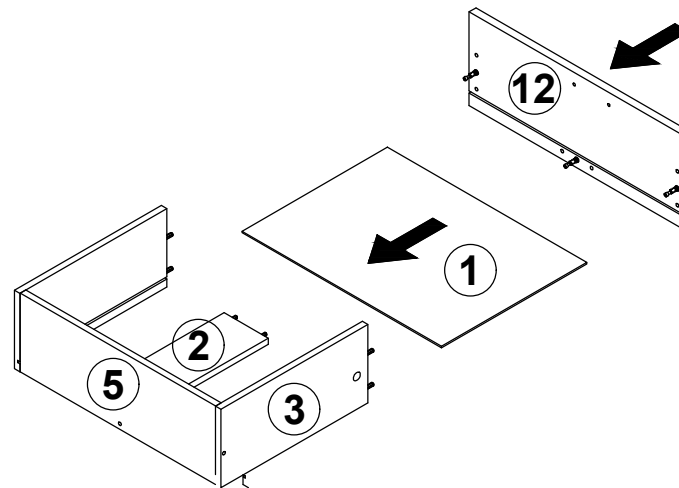
Step 4 (x2)



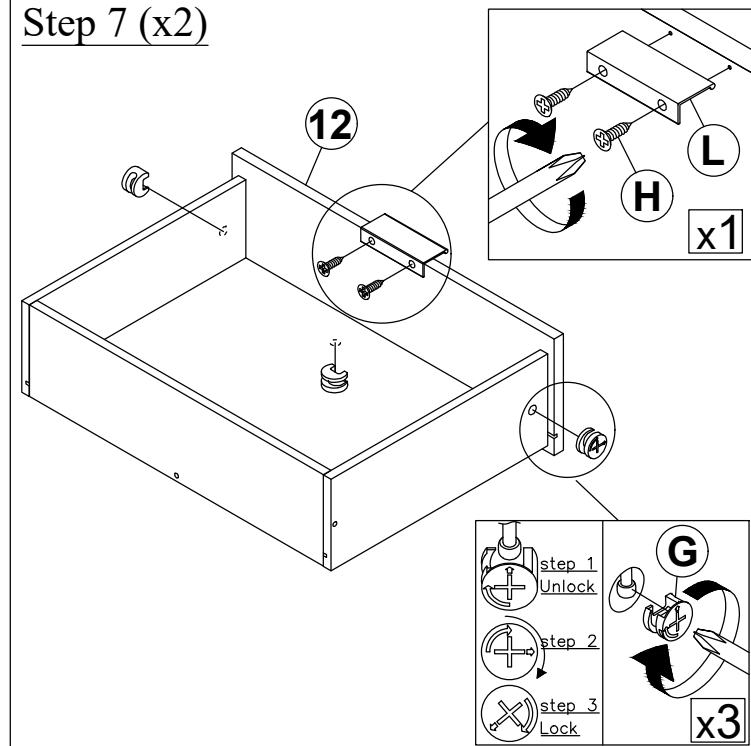
Step 5 (x2)



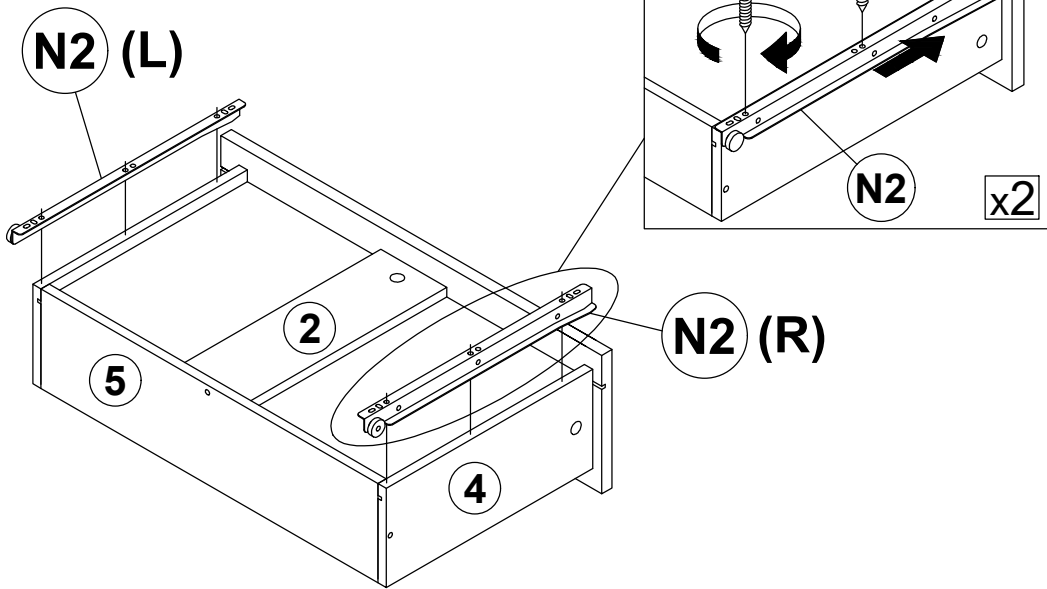
Step 6 (x2)



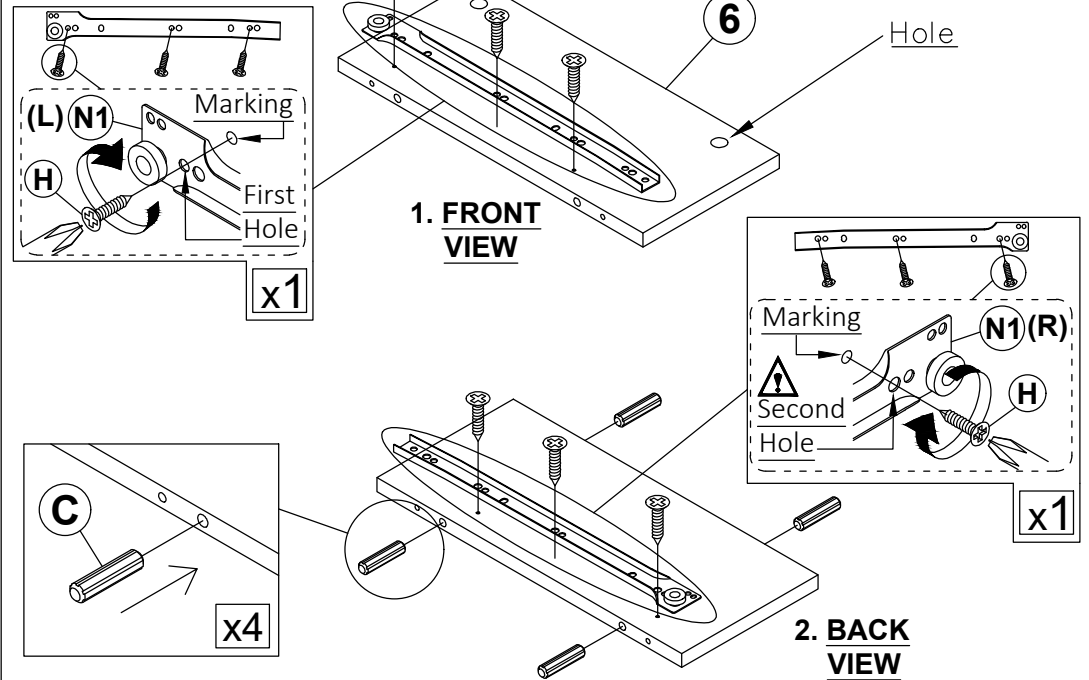
Step 7 (x2)



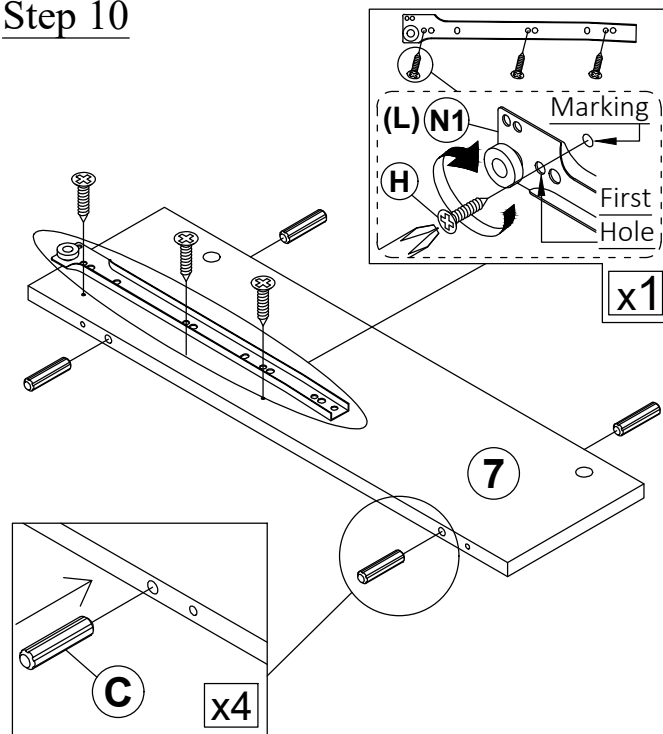
### Step 8 (x2)



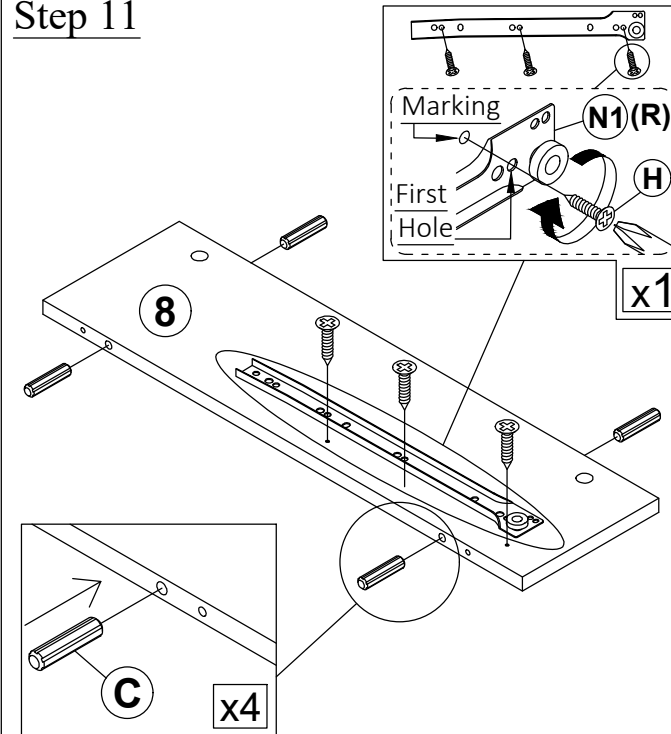
### Step 9



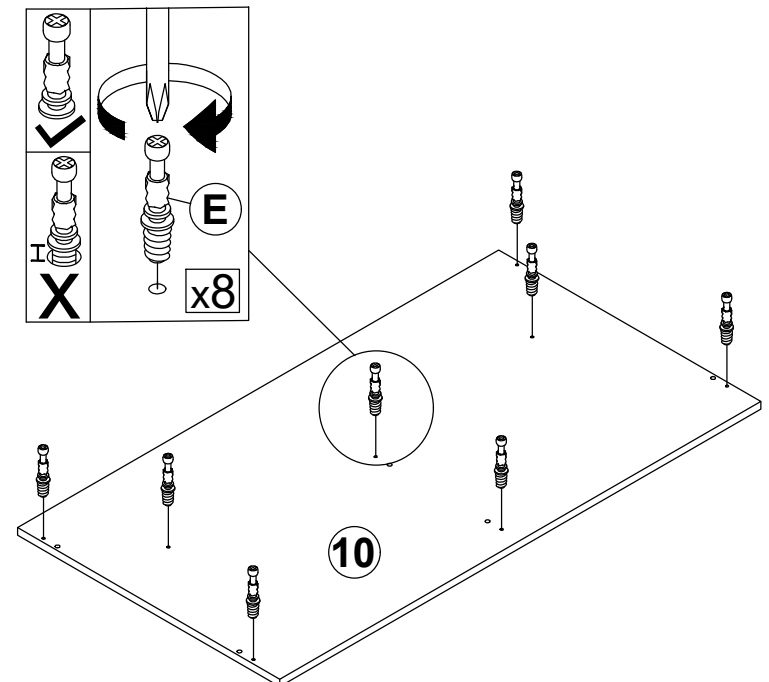
### Step 10



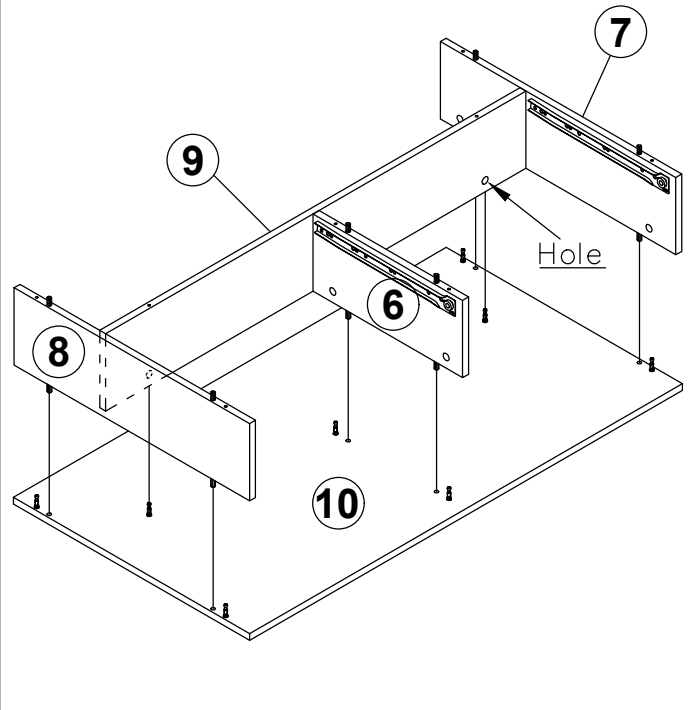
### Step 11



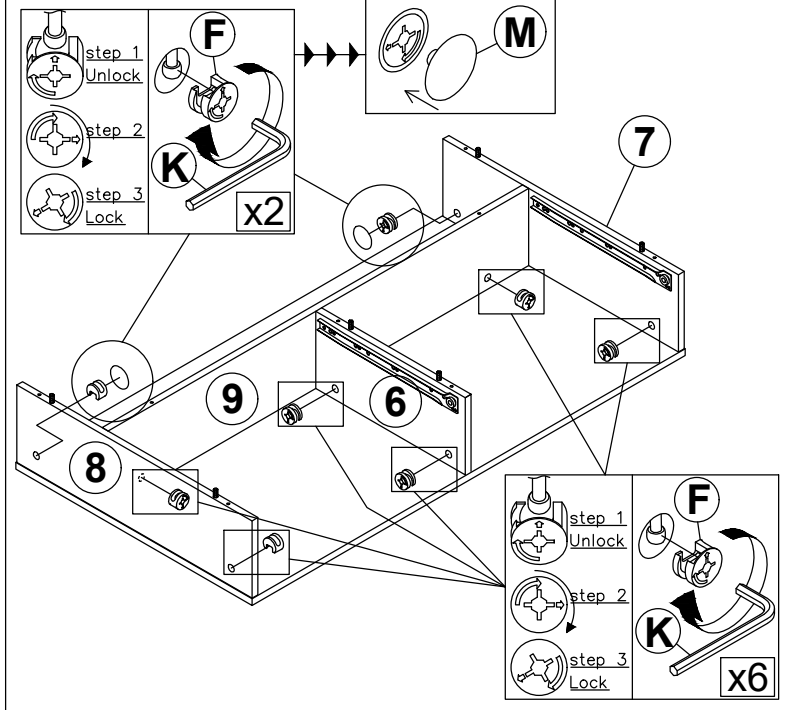
### Step 12



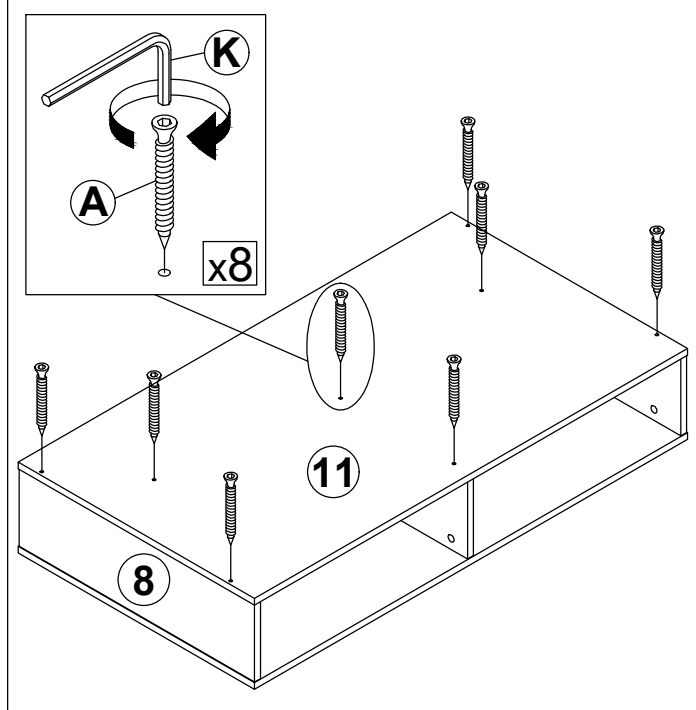
Step 13



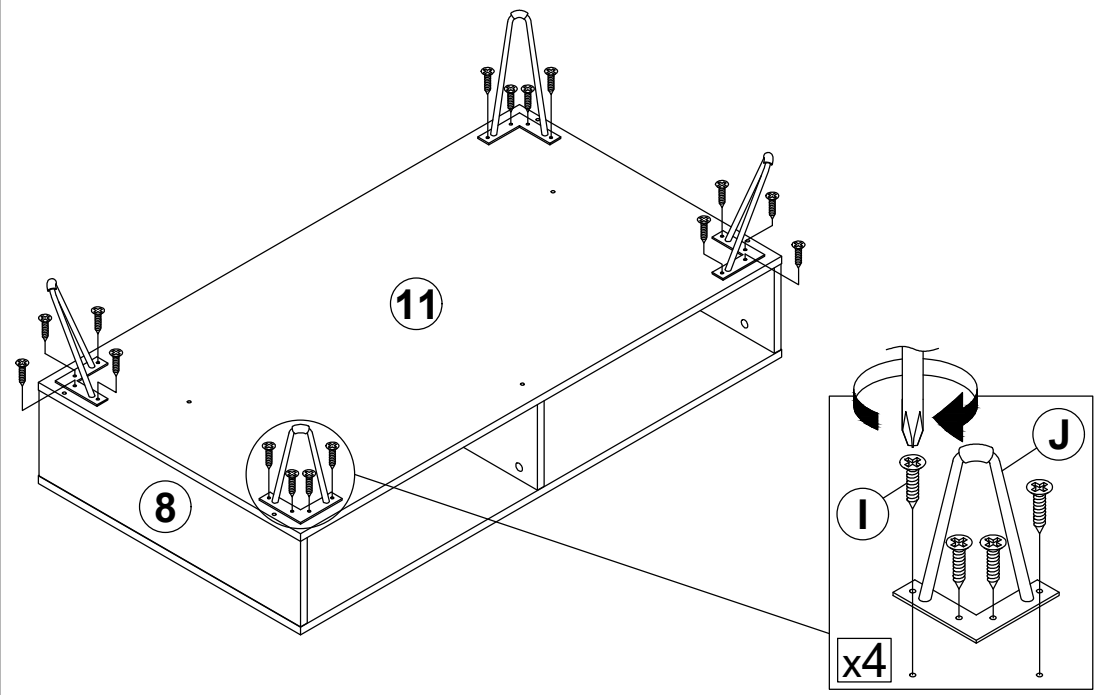
Step 14



Step 15



Step 16



Step 17

