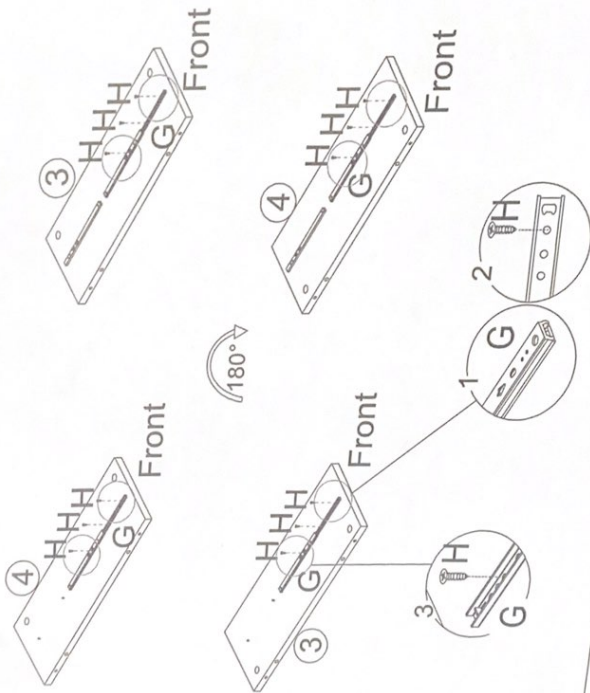
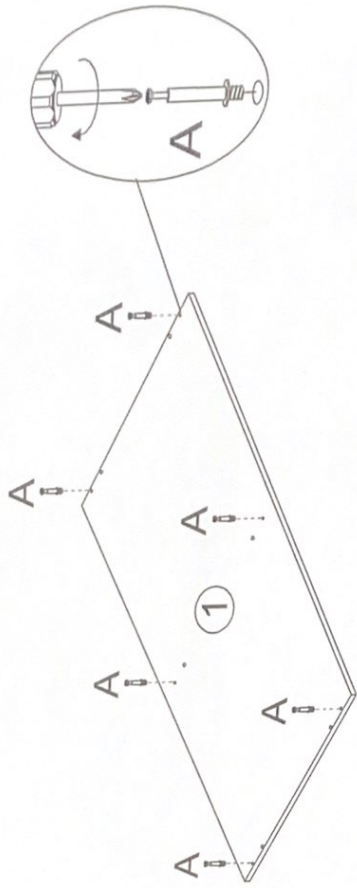


1



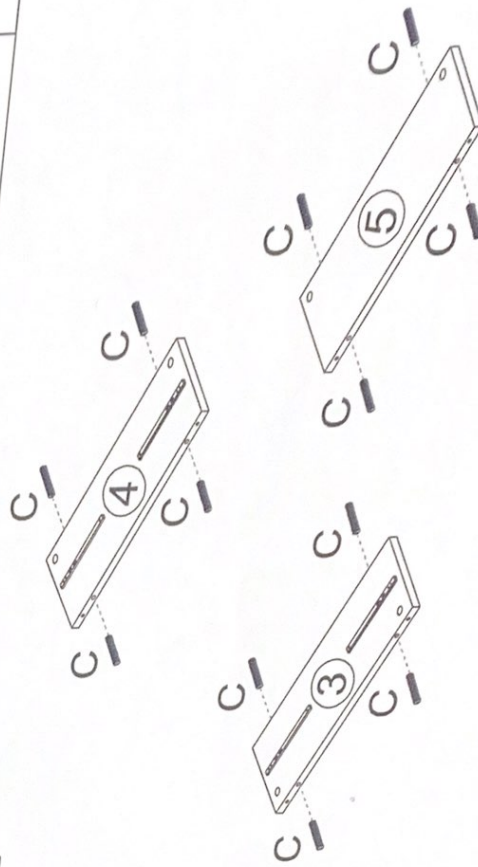
H	X12	G	x4
			3x12mm

2



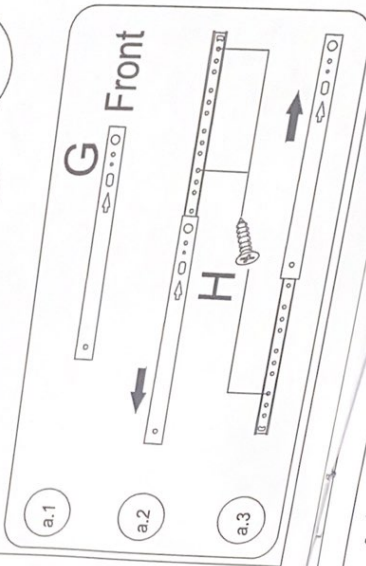
A	x6

3

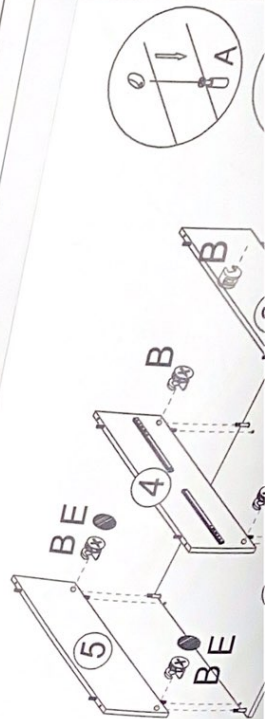


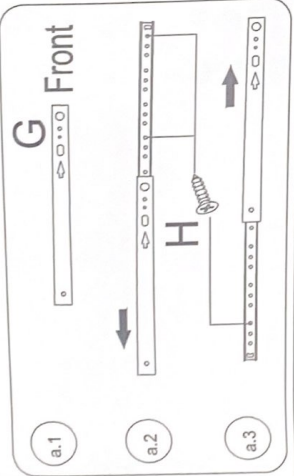
C	X12

4



6

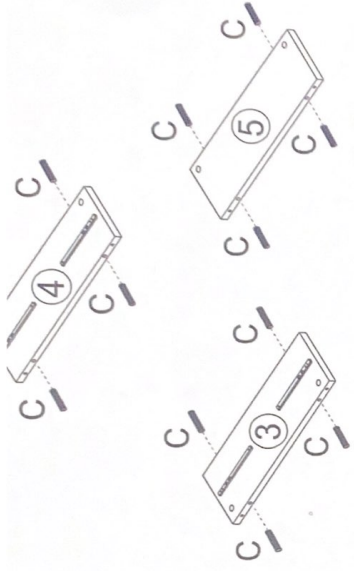




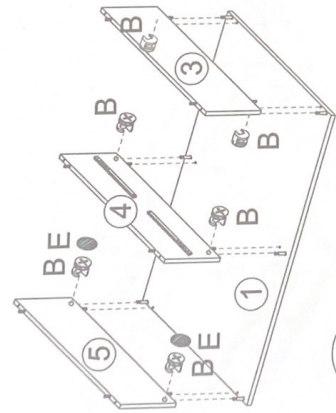
H	X12	G	X4
---	-----	---	----

3x12mm

C	X12
---	-----



4



E	X2	B	X6
---	----	---	----

4x6mm

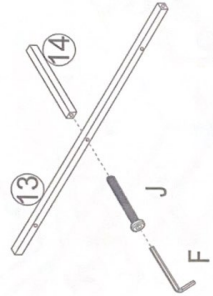
6



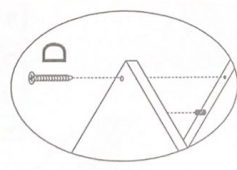
F	X1	J	X2
---	----	---	----

6x40mm

X2



7



D	X6
---	----

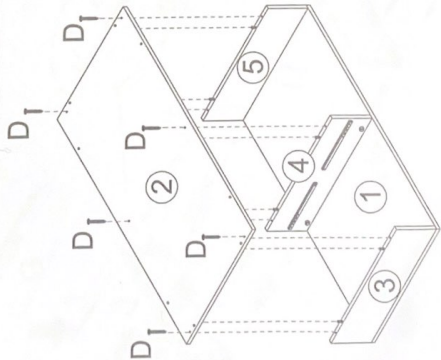
4x40mm

X2

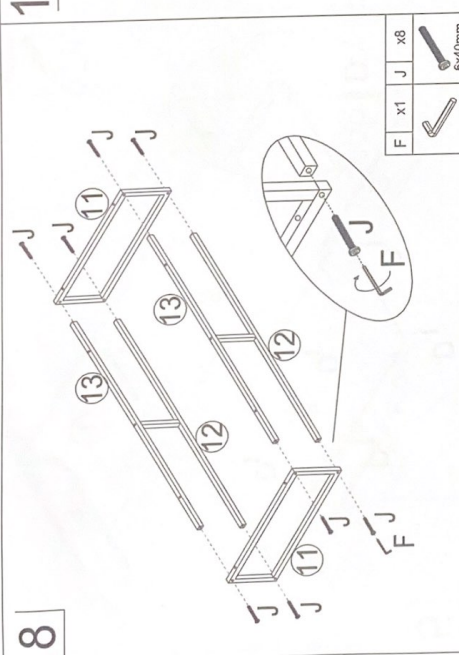
F	X1	J	X2
---	----	---	----

6x40mm

5

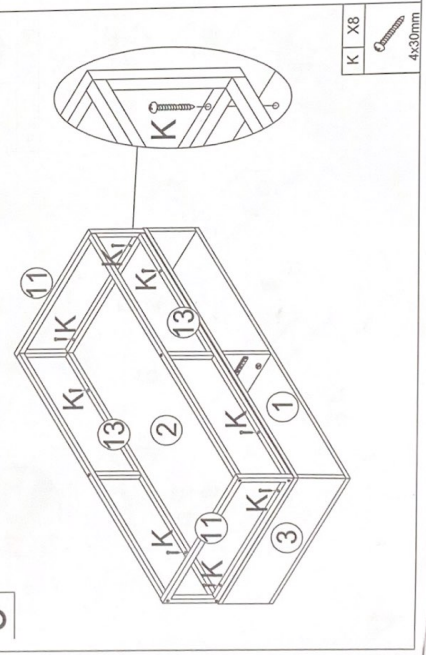


8



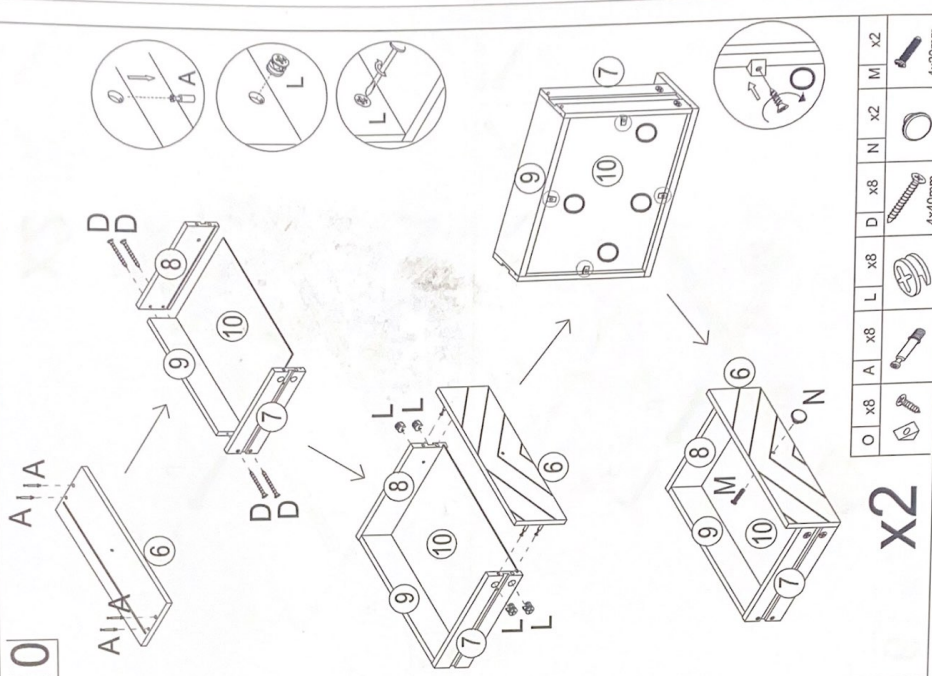
F	x1	J	x8
			6x40mm

9



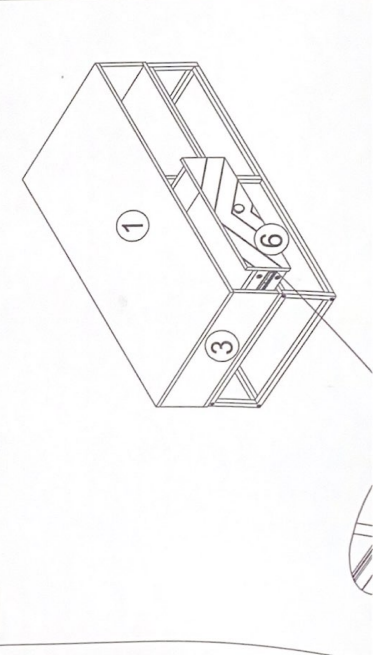
K	x8
	4x30mm

10

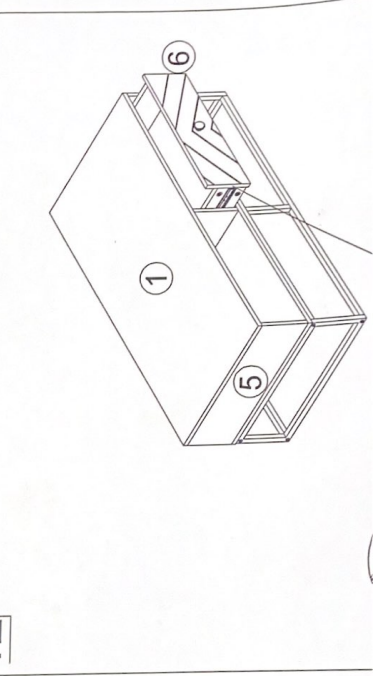


O	x8	A	x8	L	x8	D	x8	N	x2	M	x2
											4x20mm

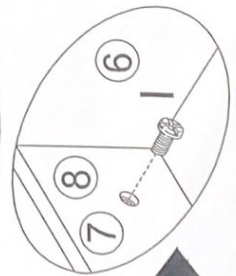
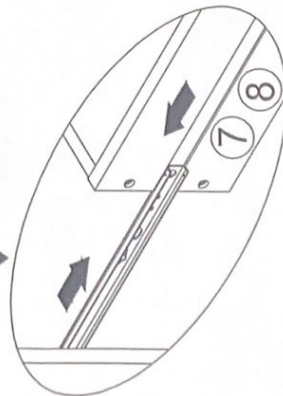
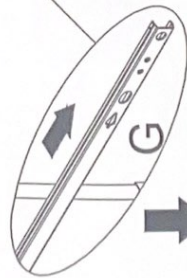
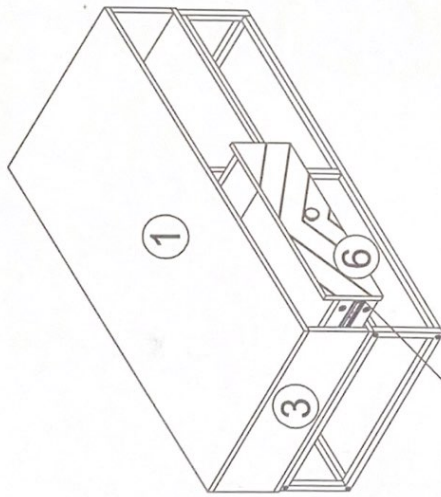
11



12

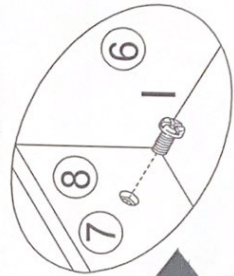
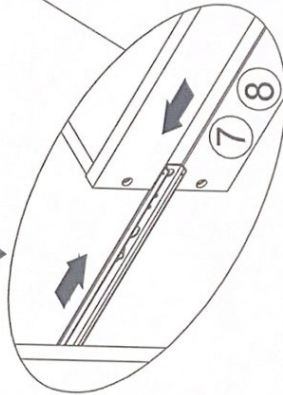
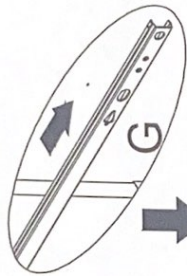
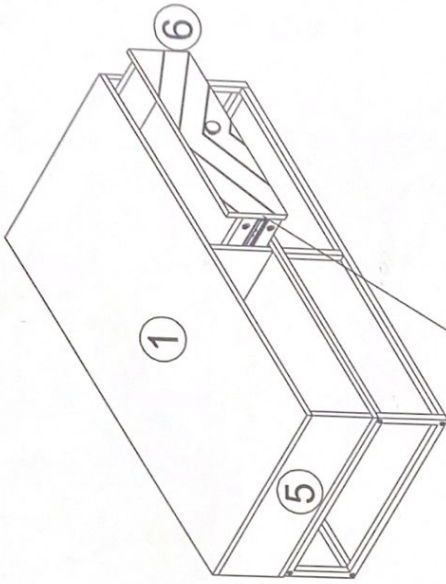


11



1 x2
4x10mm

12



1 x2
4x10mm