



Before using your tumble dryer, please read this manual carefully and keep it for future reference.

Tumble Dryer

OWNER'S MANUAL

Read This Manual

Inside you will find many helpful hints on how to use and maintain your tumble dryer properly. Just a little preventative care on your part can save you a great deal of time and money over the life of your tumble dryer. You'll find many answers to common problems in the chart of troubleshooting tips. If you review the chart of troubleshooting tips first, you may not need to call for service.



CAUTION: HOT SURFACE !



CAUTION: RISK OF FIRE !

V1.0

MDR70-VR031_A0405-AU18-P1-PM01

注:1. 说明 书版本号从V1.0开始计, 每变更一次自动+1
2. 虚线框内印刷物料编码, 由供应商按照订单需求自行添加, 字体-Arial,
大小-8pt, 相对位置参照图号右对齐
3. 此注意内容及虚线框无需印刷

Catalogue

Safety information.....	1
Installation before use.....	4
Part name.....	4
Notice before use.....	4
Precautions.....	5
Simple installation.....	7
Control panel.....	10
Operation explanation.....	11
Drying clothes instruction.....	12
Cleaning and routine maintenance.....	13
Safety reset.....	14
Precautions.....	15
Other functions description & Technical specifications.....	16

Safety information

Safety information

- 1) Unique and luxury design: Design is according to front loading washing machine with unique appearance.
- 2) Micro Control: Simple and convenient operation with the help of PCB board, and it will feel the temperature when drying automatic.
- 3) Big size door window: See the procedure of drying clearly through this window.
- 4) Open the door with 180°: It is very convenient to put in and out clothes with 180° angle opening range.
- 5) Compact instruction: Suitable capacity and unique outlook with anti-dust, anti-humidity, anti shake, long life and low noise design.
- 6) The tumble dryer is not to be used if industrial chemicals have been used for cleaning.
- 7) The lint trap has to be cleaned frequently.
- 8) Lint must not to be allowed to accumulate around the tumble dryer.
- 9) Adequate ventilation has to be provided to avoid the back flow of gases into the room from appliance burning other fuels, including open fires.
- 10) Do not dry unwashed items in the tumble dryer.
- 11) Items that have been soiled with substance such as cooking oil, acetone, alcohol, petrol, kerosene, spot removers, turpentine, waxes and wax removers should be washed in hot water with a extra amount of detergent before being dried in the tumble dryer.
- 12) Items such as foam rubber (latex form), shower caps, waterproof textiles, rubber backed articles and clothes or pillows fitted with foam rubber pads should not be dried in the tumble dryer.
- 13) Fabric softeners, or similar products, should be used as specified by the fabric softener instructions.
- 14) The final part of a tumble dryer cycle occurs without heat (cool down cycle) to ensure that the items are left at a temperature the ensures that the items will not be damaged.
- 15) WARNING: never stop a tumble dryer before the end of the drying cycle unless all items are quickly removed and spread out so that the heat is dissipated.
- 16) The exhaust air must not be discharged into a flue which is used for exhausting fumes from appliance burning gas or other fuels.

Safety information

- 17) The appliance must not be install behind a lockable door, a sliding door or a door with a hinge on the opposite side to that of the tumble dryer. In such a way that a full opening of the tumble dryer door is restricted.
- 18) Oil-affected items can ignite spontaneously, especially when exposed to heat sources such as in a tumble dryer. The items become warm, causing an oxidation reaction in the oil. Oxidation creates heat. If the heat cannot escape, the items can become hot enough to catch fire. Piling, stacking or storing oil-affected items can prevent heat from escaping and so create a fire hazard.
- 19) If it is unavoidable that fabrics that contain vegetable or cooking oil or have been contaminated by hair care products be placed in a tumble dryer they should first be washed in hot water with extra detergent-this will reduce, but not eliminate, the hazard.
- 20) The appliance should not be overturned during normal use or maintenance.
- 21) Remove all objects from pockets such as lighters and matches.
- 22) This appliance can be used by children aged from 8 years and above and persons with reduced physical, sensory or mental capabilities or lack of experience and knowledge if they have been given supervision or instruction concerning use of the appliance in a safe way and understand the hazards involved. Children shall not play with the appliance. Cleaning and user maintenance shall not be made by children without supervision.
- 23) For appliances with ventilation openings in the base, that a carpet must not obstruct the openings.
- 24) If the power cable is damaged, it must be replaced by the manufacturer, its service agent or similarly qualified persons in order to avoid a hazard.
- 25) This appliance is for indoor use only.
- 26) The openings must not be obstructed by a carpet.
- 27) Children of less than 3 years should be kept away unless continuously supervised.
- 28) This appliance is not intended for use by persons (including children) with reduced physical, sensory or mental capabilities, or lack of experience and knowledge, unless they have been given supervision or instruction concerning use of the appliance by a person responsible for their safety.
- 29) Children should be supervised to ensure that they do not play with the appliance.

Safety information

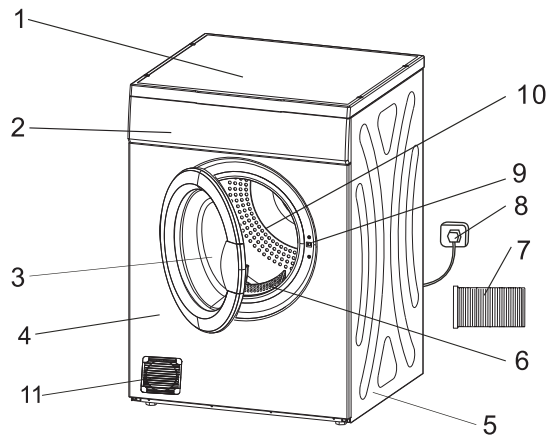
Correct Disposal of this product:



This marking indicates that this product should not be disposed with other household wastes throughout the EU. To prevent possible harm to the environment or human health from uncontrolled waste disposal, recycle it responsibly to promote the sustainable reuse of material resources. To return your used device, please use the return and collection systems or contact the retailer where the product was purchased. They can take this product for environmental safe recycling.

Installation before use

Part name



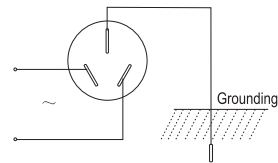
- 1.Top board 2.Control panel 3.Door 4.Front panel 5.Side panel 6.Filter 7.Flex tube(only to back vent)
8.Power plug 9.Switch 10.Tumbling box 11.Front vent flange(only to front vent)

Notice before use

The first step: Power source and grounding.

The dryer employs alternative current with the rated voltage and frequency. When the voltage fluctuates between 6% of rated voltage, the dryer can work normally. A special power socket for the dryer had better be set beside the dryer for convenience and safety. The method of connection of the socket is as the figure below.

To be safe, please make improvements as soon as possible according to the rules and suggestions mentioned above.



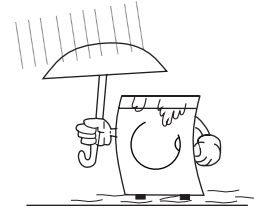
Notices:

The socket and the grounding wire must be installed by an electrician to prevent incorrect installation or use of the socket and to guarantee the safety of use of electricity. The power wire of the dryer employs Y connection, if the supply cord is damaged, it must be replaced by the manufacturer, its service agent or similarly qualified persons in order to avoid a hazard. No connection of the grounding wire the neutral wire, otherwise the cabinet will be charged, which is likely to cause the danger of electric shock.

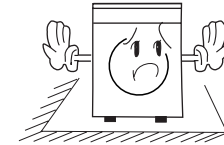
Installation before use

Step 2: Precautions

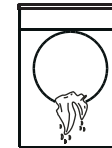
Install or store where it will not be exposed to temperatures below freezing or exposed to water or weather, which could cause permanent damage and invalidate the warranty.



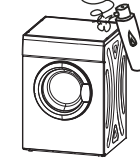
Keep area around the exhaust opening and adjacent surrounding areas free from the accumulation of lint, dust and dirt. An obstructed port might reduce the airflow.



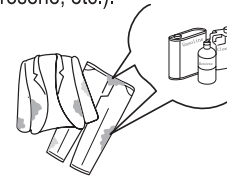
Thoroughly spin the laundry in washing machine. High spin speed can reduce the drying time and save energy consumption.



Make sure combustible sprayer will not be close to dryer when it is working, and once the gas leaks, do not touch plug or start/pause on it.



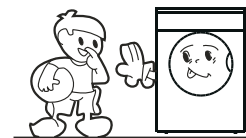
Do not wash or dry articles that have been cleaned in, washed in, soaked in or spotted with combustible or explosive substances (such as wax, oil, paint, gasoline, degreasers, dry-cleaning solvents, kerosene, etc.).



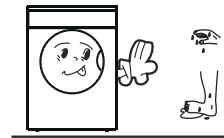
Never attempt to operate this appliance if it is damaged, malfunctioning, partially disassembled, or has missing or broken parts, including a damaged cord or plug.



Do not allow children on or in the appliance. Close supervision of children is necessary when the appliance is used near children.



Please do not use the machine when your foot or hand with water.

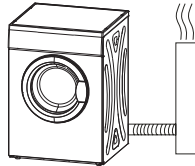


Installation before use

Do not store plastic, paper or clothing that may burn or melt on top of the dryer during operation.



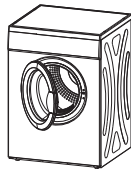
The exhaust air must not be discharged into a flue which is used for exhausting fumes from appliance burning gas or other fuels.



Do not dry articles containing rubber, plastic or similar materials such as padded bras, tennis shoes, galoshes, bath mats, rugs, bibs, baby pants, raincoat plastic bags or pillows that may melt or burn. Some rubber materials, when heated, can under certain circumstances produce fire by spontaneous combustion.



The door can be opened only after the programme of the drying machine is completed. Do not open the door before the programme finished to avoid the human skin from being scalded by hot steam or over heated drying machine.















This product belongs to type I electronic products and please take note of safety problem accordingly:

1. It is rule to use power which is buried in the earth and will not touch any socialequipments such as gas pipe or water pipe etc. Make sure the difference of different lines and they are not connected.
2. Please use special socket which is according to National Standard and will endure 10A current.

To be safe, please make improvements as soon as possible according to the rules and suggestions mentioned above.

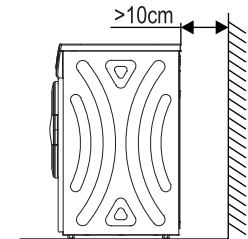
Please pay attention to use the drying machine if the materials of your clothes can not be dried by it or contain the symbols as follows:

 Dry	 Normal	 Not tumble dry normal	 Do not dry
 Line dry / hang to dry	 Drip dry	 Dry flat	 In the shade
 Dry clean	 Do not dry clean	 Dry clean normal cycle with any solvent	 Dry clean normal cycle petroleum solvent only

Simple installation

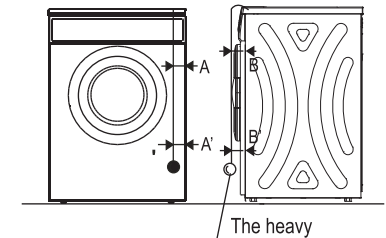
Simple installation

Step 1: Dryer should be placed in a ventilated area with not less than 10cm distance from the wall. If placed in a room such as bathe room, it is suggested there are no obstacles within 1.5m in front of dryer and keep ventilated.



Step 2: The horizontal adjustment:

Tie a heavy subject on the string on the front and two sides of the dryer. Please refer this to below figure, and if A=A, B=B, this means the dryer is placed horizontally. While the opposite, you could place something on the grounding.



Notice:

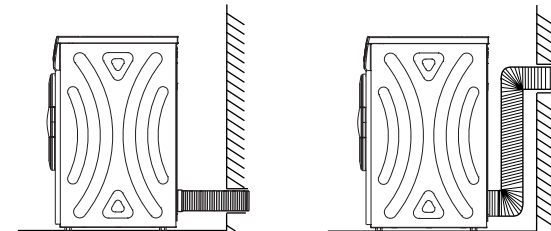
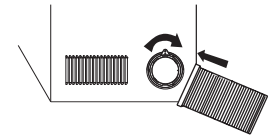
if dryer could not be placed horizontally (the lean angle is no more than 2), the dryer will work unbalanced or stop working sometimes.

Notice when installing:

- Do not install the dryer in the open air or place easily damaged by rain;
- Do not place the back of dryer near curtain or something in the wind;
- Do not place the dryer near gas or flammable area.

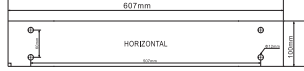





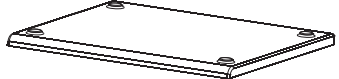
Step 3: Regarding the fixing of flex tube (only to back vent):

- Connect one side of flex tube with whorl to the back vent, then fix it deasilly till tight.
- The other end of flex tube will be extended to outdoor, please refer the right assemble way to the below pictures.



Simple installation

The Specification of the dryer installation on the wall

Attached spare part for installation on the wall			
No.	Name	Quantity	Picture
1	Guidance drawing of the horizontal installation	1	
2	Guidance drawing of the vertical installation	2	
3	Expansion Screw bolt	8	
4	Hook	2	
5	Left Support parts + Damper Gasket	1+1	
6	Right Support parts+ Damper Gasket	1+1	
7	Plastic Cover	1	

1. Fix the position of the guidance drawing : (Fig.1)

1.1 Paste the drawing of "Horizontal" on the wall

1.2 Paste the drawing of "Vertical" and guarantee the angel with "Horizontal" drawing is 90°

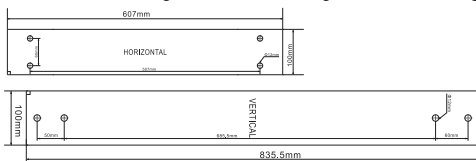


Fig.1

Simple installation

2. According to guidance of the position and dimension on the drawing. Drill 8 holes on the wall with the diameter of $\phi 12$.
3. According to the following illusion, install 8 pcs expansion screw bolts and 2 hooks and the left support shall be installed with the cushion. The same installation step for the right side. (Fig.2)

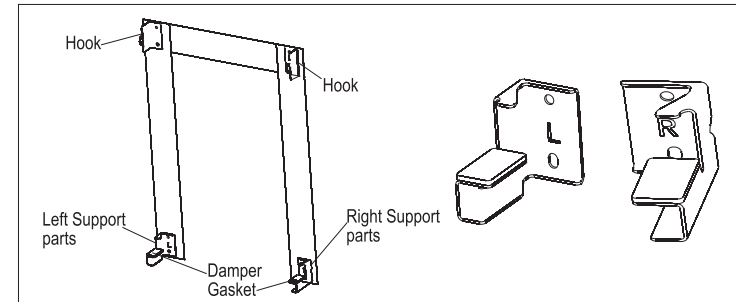


Fig.2

4. Upward or upside-down can be selected as the personal option of customers.

Please arrange the dryer on the supports of both side and aim to the hole of hooks. Push the dryer and let the machine into the position. (Fig.3-1)

Appendix for the specific installation position as shown in Fig.3-2, Fig.3-3, Fig.3-4, Fig.3-5

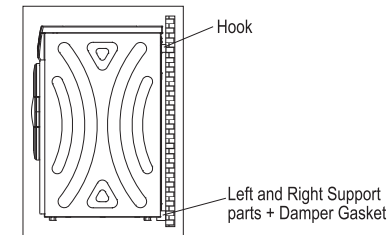


Fig.3-1



Fig.3-2



Fig.3-3



Fig.3-4



Fig.3-5

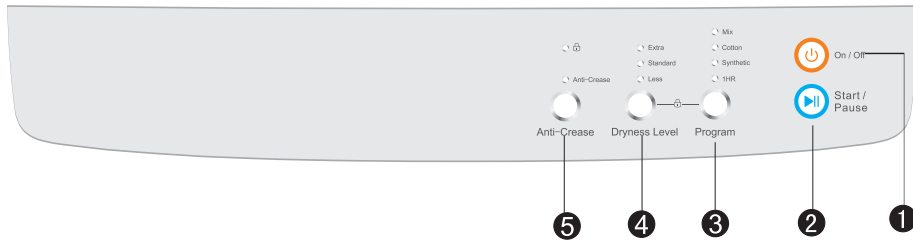
5. When the installation finished, and the dryer has been stable, the electrical operation can be done. Before the end of installation, please guarantee the plastic shield that covers the top of the dryer.

Control panel

Control panel

Following are instructions for starting and using your new dryer. Please refer to specific sections of this manual for more detailed information.

Important Warning: To reduce the risk of fire, electric shock, or injury to person, read this entire manual, including the Important Safety Instructions, before operating this dryer.



- ❶ On/Off
- ❷ Start/Pause
- ❸ Program(Mix/Cotton/Synthetic/1 hour)
- ❹ Dryness Level(Extra/Standard/Less)
- ❺ Anti-Crease

Note:












- 1) Press the **【Program】** button to select the desired programme.
- 2) Press the **【Dryness Level】** button to select the desired programme.
- 3) Press the **【Anti-Crease】** button to start Anti-Crease function.
- 4) Press the **【Start/Pause】** button.
- 5) If users need child lock function, pressing the **【Program】** and **【Dryness Level】** buttons simultaneously for over 3 seconds to start child lock function.
- 6) After the last heating, the buzzer will be on for 1 second, then the programme will start cooling.
- 7) The buzzer will prompt from the dryer when finishing the cycle. Press the **【On/Off】** button and pull out the power cable.
- 8) Clean the filter, cabinet and inner tube.

Operation explanation

Operation explanation

1. Before drying, thoroughly spin the laundry in washing machine. High spin speed can reduce the drying time and save energy consumption.
2. For uniform drying result, sort the laundry according to fabric type and drying programme.
3. Before drying, please close zips, hooks and eyelets, button up, tie fabric belts, etc.
4. Do not over dry the clothes, because over dried clothes can easily get creases.
5. Do not dry the articles containing rubber or similar elastic materials.
6. The door can be opened only after the programme of the drying machine is human skin from being scalded by hot steam or over heated drying machine.
7. Clean the lint filter and empty container after each use to avoid extension of drying time and energy use.
8. Do not dry these clothes after dry-clean process.

The reference weight of dry clothes

 Mixed-fabric clothes (about 800g)	 Jacket (about 800g cotton)	 Jeans (about 800g)	 Towel quilt (about 900g cotton)
 Single bedsheet (about 600g cotton)	 Work clothes (about 1120g)	 Sleepwear (about 200g)	 Long sleeve shirt (about 300g cotton)
 Short sleeve shirt (about 180g cotton)	 Short pants (about 70g cotton)	 Socks (about 50g mixed-weave)	

Operation explanation

Drying clothes instruction

Clothing Type	Approximate amount of remaining humidity	Capacity (KG)	Programs	Dryness Level	Note
Cotton	80%~90%	7	Cotton	Extra	Please according to the Type and Capacity of the clothing to select the most suitable Program and Dryness Level.
	60%~70%	7 / 3,5	Cotton	Standard	
		7	Cotton	Less	
Mix	70%	7 / 3,5	Mix	Extra	
	60%	7 / 3,5	Mix	Standard	
Synthetic	50%	3,5	Synthetic	Extra	
	40%	3,5	Synthetic	Standard	
Cotton	—	1	1Hr	—	

Note: 1.Cold wind function means there is only cold wind for circulating before finishing heating 3 minutes.(Except 1 hour program which runs 10 minutes cold wind.)

2.If Anti-Crease option is selected, the anti-crease process will enlarge to 2 hour, otherwise it keeps 30min without this option.

3.The inside temperature and humidity will affect drying time.

4.Check the label attached on clothes and choose the right temperature and time according to the explanation.

5.“Cotton + Extra” is for AS/NZS energy program.

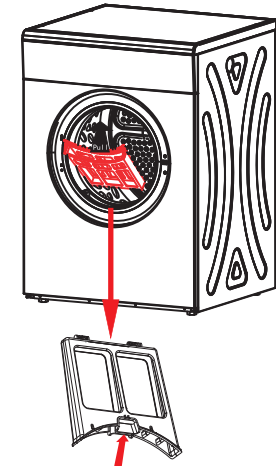
Suggestion: When clothes is less than 0.5kg, please select an hour dry and Extra for drying.

Cleaning and routine maintenance

Filter clean

Filter clean

- 1) Clean the lint filter before each use.
Remove by pulling straight up.
Unbolt filter
The lint filter is located in the door opening, remove the lint filter and open it out.
When remove the filter,please follow the instructions as shown, squeeze the sides to remove the filter, and then cleaning.
- 2) Cleaning filter
Use wiping cloth wipe with your hand.
- 3) Install filter
If the filter is cleaned by damp cloth or in the water, please install after the sun dry.



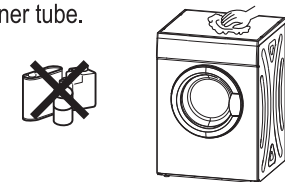
Cleaning cabinet and inner tube

Cleaning cabinet and inner tube

Use soft damp cloth wipe when cleaning cabinet and inner tube.

- 1.Not to rinse by water direct.
- 2.Not to use neutral scour wipe.
- 3.Not to use gasolene and alcohol wipe.

Make sure open the front door for aeration after cleaning the inner tube.



Safety reset

Safety reset

1. These dryers have a safety cut out switch which is activated by temperature.
2. The safety reset button is on the backboard. If your dryer not heating this button must be reset before the dryer will operate again. You may need to wait 10 minutes for cooling to occur.
3. The most common reason for the dryer to overheat is a blocked filter. Clean the line filter after each load to prevent overheating of the dryer.

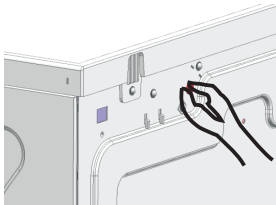
It will only be necessary to press the safety reset button if the dryer not heating. Allow the dryer at least 10 minutes to cool down before pressing the button .Press the white button in until you feel the reset click. Cleaning the filter after each load will avoid repetitive operation of the safety cut out switch.

The cut out switch may operate for the following reason:

1. Lint filter is blocked.
2. Exhaust outlets blocked at the back of the dryer.
3. Poor ventilation in the laundry or room-open a window or door
4. Lightweight garment eg. handkerchief, sucked over the filter.

Safety Reset Button

Use your finger or a pencil to press the button in until you feel it click.



Precautions

Precautions

Trouble	Cause	Solution
Will not start	<ul style="list-style-type: none"> • Power cut. • The power plug is not plugged tight. • Dry clothes exceed. • The temperature fuse is cut. 	<ul style="list-style-type: none"> • Wait for switching on electricity. • Check the power socket, make sure plug tight. • The clothes in drier must be after spinning. • Please career man restore the temperature fuse.
External hot or can smell hot	<ul style="list-style-type: none"> • The lint filter is dirty. • The uptake or exhaust duct is dirty. 	<ul style="list-style-type: none"> • Make sure clean the lint filter in time. • Clean out the stem.
Clothes too dry	<ul style="list-style-type: none"> • The clothes in machine are too full. • Not to take out the clothes in time when finish. • The clothes don't assort properly. •The temperature is enacted too high. 	<ul style="list-style-type: none"> • Make sure the clothes are not too full. • Take out the clothes immediately when finish. • See page 7. • Observe the maintenance label on clothes.
Clothes shrink	<ul style="list-style-type: none"> • Too dry 	<ul style="list-style-type: none"> • Observe the maintenance label on clothes, if easy to shrink, should examine the clothes when dry. Take out the clothes when tiny damp for too dry. Then hang the clothes until full dry.
Hairball on clothes	<ul style="list-style-type: none"> • It is right for synthetic fibre and permanent press fibre causing hairballs. This is because the right rub causing. 	<ul style="list-style-type: none"> • Use fabric softener lubricate fibre, please spray settled gule on cuff and neckline when iron clothes. Turn the sarcenet out for reducing rub.

The sound of dryer when runs can cause:

- Buzzer of vibration: Due to heavy wet clothes' turning and bumping, and this will cause noise accordingly.
- Air bumping: When drying, machine will generate steam which will come out from pipe and this will cost bumping with the bottom of inner tub.

Other functions description & Technical specifications

Other functions description

Error code	description	Criteria	Action after fault debounced	Failure indication
E1	Over-temperature	NTC or PCB fault	Stop the program and go to fault state	Led less flashing
E3	Temperature Sensor error	Temperature Sensor is open or PCB fault	Stop the program and go to fault state	Led less and standard flashing
E4	Temperature Sensor error	Temperature Sensor is short or PCB fault	Stop the program and go to fault state	Led extra flashing

Technical specifications

Dimension	595x555x840(mm)	Weight of product	35kg
Rated input power	2000W	Rated volume of dryer	7.0kg (Dry clothes)
Power supply	220-240V~ 50Hz	Ambient temperature	+5c ~ +35c

Note: The rated capacity is the maximum capacity, make sure that the dry clothes which are loaded to the appliance do not exceed the rated capacity each time.