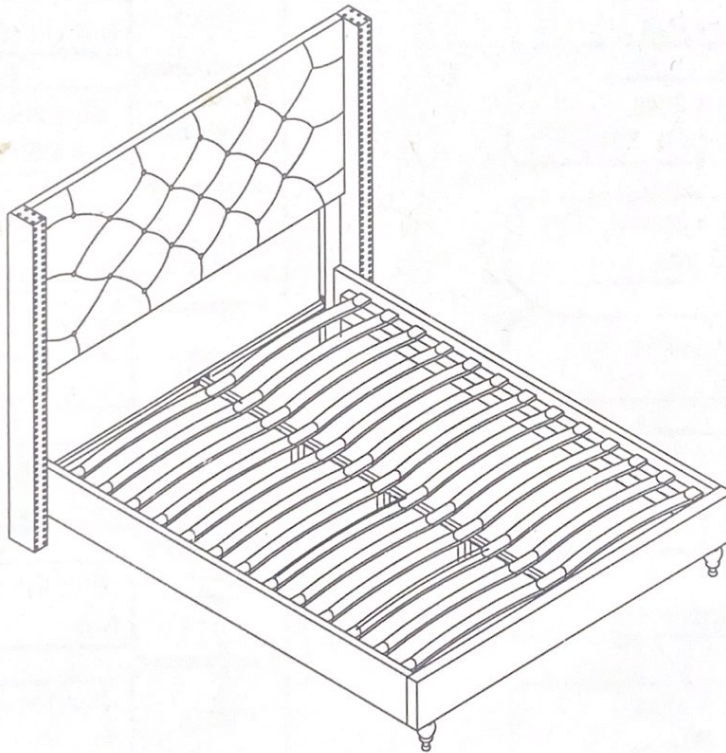


PR6665577, PR6665518,  
19, 20, 21, 22.

# Assembly Instructions

Lisbeth.



## ASSEMBLY RATING

The Assembly Rating is a 5-point system that shows the degree of effort needed in assembling a specific product (with 1 being easy and 5 being difficult). For some products, two persons are recommended.

## Tools Required For Assembly:

Allen Wrench



(Included)

Wrench



(Included)

CA

fla. ASY













DIFFICULT














2 PERSONS RECOMMENDED

## Parts List

	#1 x 1pc Headboard
	#2 x 1pc Footboard
	#3 x 2pcs Side Rail
	#4 x 2pcs Wings (L & R)
	#5 x 2pcs (L & R) HB Leg
	#6 x 2pcs FB Leg
	#7 x 26pcs Slat
	#8 x 1pc Support Rail
	#9 x 3pcs Support leg
	#10 x 1pc HB Leg Support

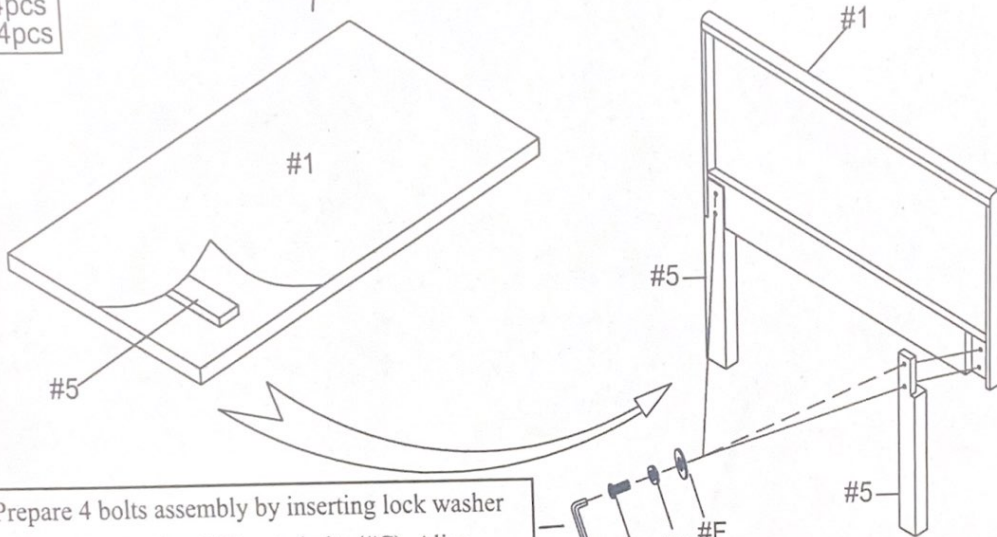
## Hardware List

	#A x 1pc Allen Wrench
	#B x 14pcs Bolt Ø5/16"X1-1/2"
	#C x 16pcs Bolt Ø5/16"X2"
	#D x 2pcs Bolt Ø5/16"X4"
	#E x 22pcs Flat Washer Ø5/16"X19MM
	#F x 10pcs Flat Washer Ø5/16"X22MM
	#G x 32pcs Lock Washer
	#H x 8pcs Nut
	#I x 1pc Wrench
	#J x 26pcs End Cap
	#K x 13pcs Center Plastic Connector

P 1

1) Remove headboard legs (#5) from the back compartment of the headboard (#1).

4pcs  
4pcs  
4pcs



Prepare 4 bolts assembly by inserting lock washer (#A), then flat washer (#F) onto bolts (#C). Align headboard legs (#5) to the holes of the headboard (#1), then secure with bolts (#C).

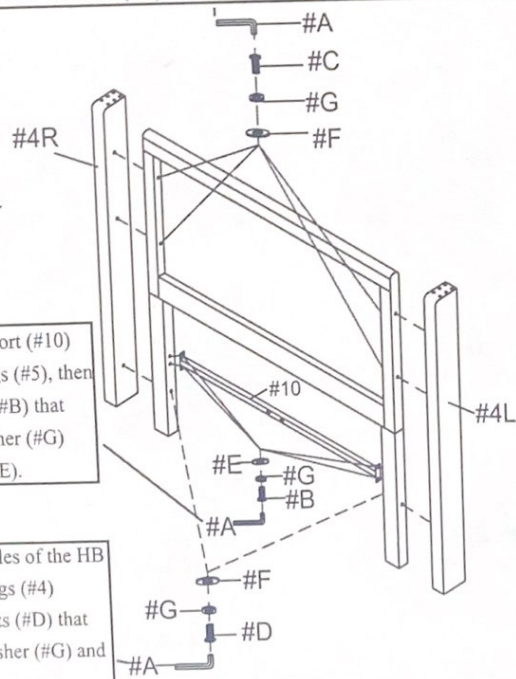
### STEP 2

Secure top holes of the headboard (#1) and wings (#4) together with bolts (#C) that contains lock washer (#G) and flat washer (#F).

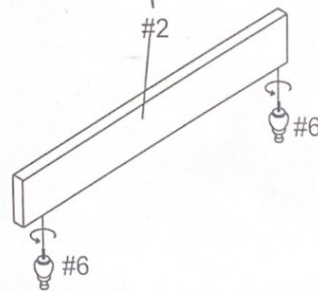
#B x 4pcs  
#C x 4pcs  
#D x 2pcs  
#F x 6pcs  
#G x 10pcs  
#E x 4pcs

Align HB leg support (#10) in-between HB legs (#5), then secure with bolts (#B) that contains lock washer (#G) and flat washer (#E).

Secure bottom holes of the HB legs (#5) and wings (#4) together with bolts (#D) that contains lock washer (#G) and flat washer (#F).



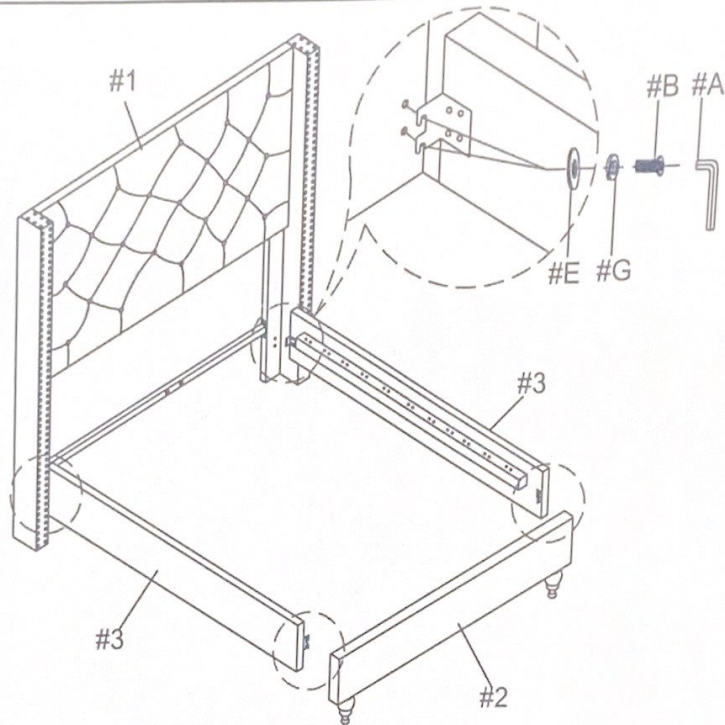
Attach footboard legs (#6) onto the footboard (#2).



### STEP 3

Align side rails (#3) to the holes of the headboard (#1) and footboard (#2), then secure bolts (#B) that contains lock washer (#G) and flat washer (#E).

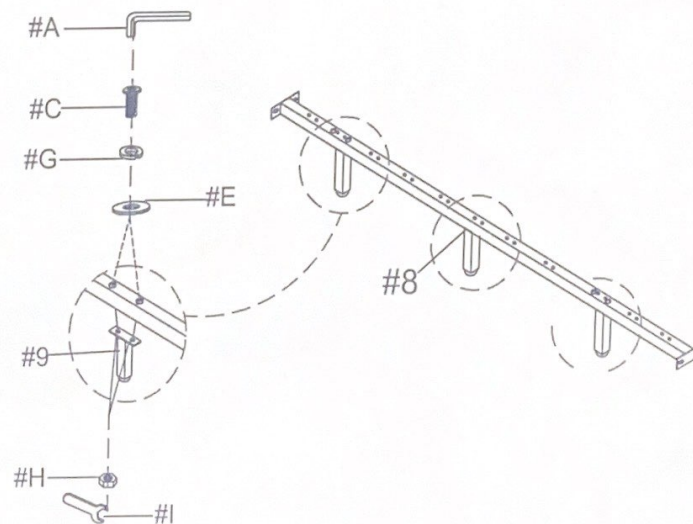
#B x 8pcs  
#E x 8pcs  
#G x 8pcs



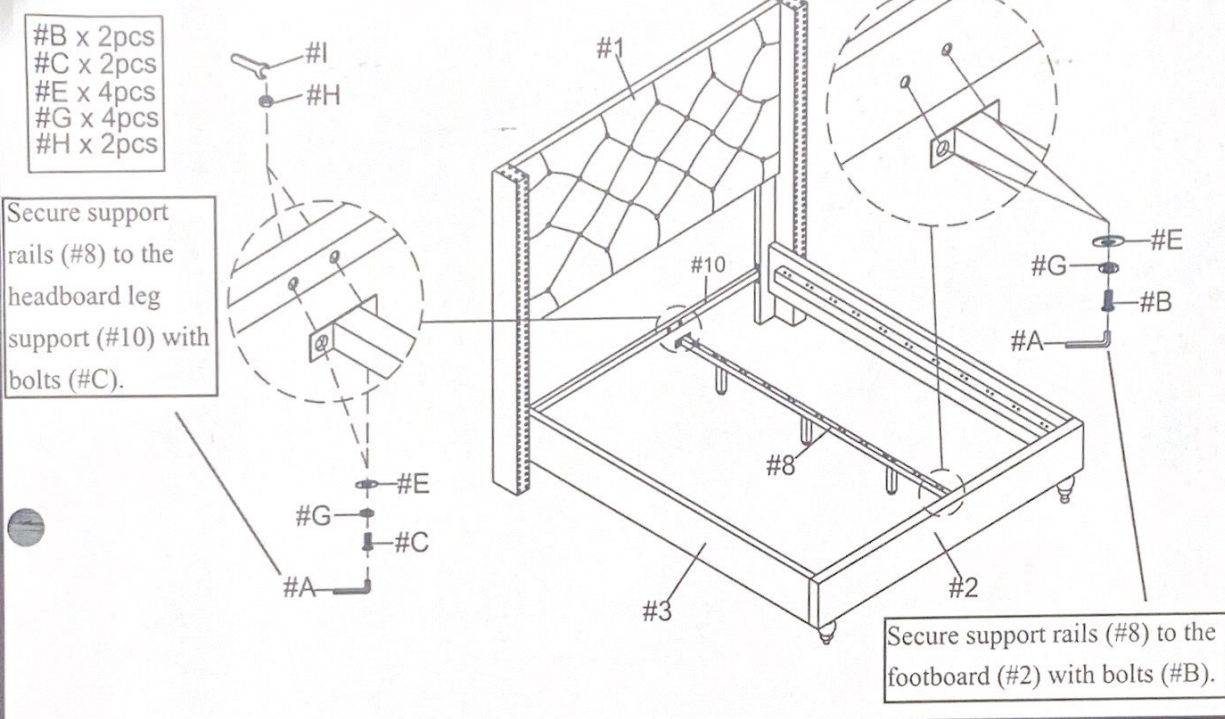
### STEP 4

Prepare 8 bolts assembly by inserting lock washer (#G), then flat washer (#E) onto bolts (#C). Align support legs (#9) to the holes of the support rails (#8), then secure with bolts (#C) and hex nut (#H).

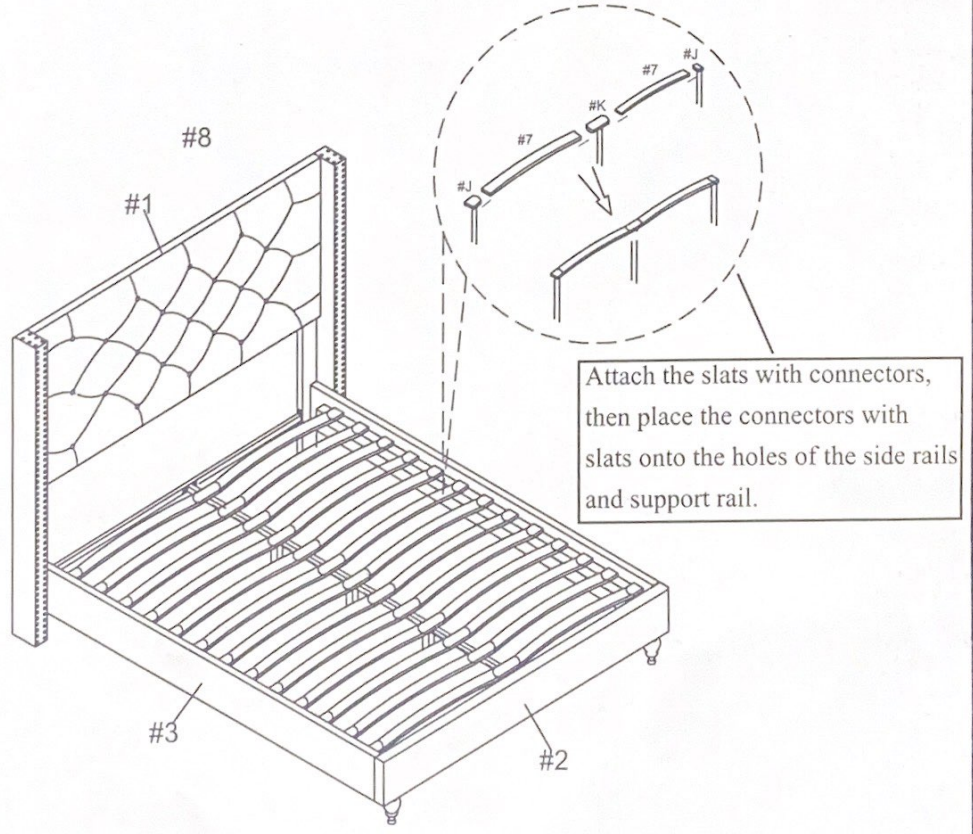
#C x 6pcs  
#E x 6pcs  
#G x 6pcs  
#H x 6pcs



Prepare 8 bolts assembly by inserting lock washer (#G), then flat washer (#E) onto bolts (#B,C).  
Align support rails (#8) to the holes of the footboard (#2) and headboard leg support (#10).



STEP 6



## RETURN / DAMAGE CLAIM INSTRUCTIONS

1. **DO NOT** discard of the box / original packaging.

In case a return is required, the item must be returned in original box. Without this your return will not be accepted.

2. Take a photo of the box markings.

A photo of the markings (text) on the box is required in case a part is needed for replacement. This helps our staff identify your product number to ensure you receive the correct parts.

3. Take a photo / Video of Damage (if applicable).

A photo /Video of the damage is always required to file a claim and get your replacement or refund processed quickly. Please make sure you have the box even if it is damaged.

4. Send us an email with the images requested.

Email us directly with the attached images, order number (SOXXXX) and a description of your claim.

Auckland / Waikato / BOP Branch: [sales@tsbliving.co.nz](mailto:sales@tsbliving.co.nz)  
Christchurch Branch: [customersupport@tsbliving.co.nz](mailto:customersupport@tsbliving.co.nz)  
Wellington Branch: [wellington@tsbliving.co.nz](mailto:wellington@tsbliving.co.nz)