

**Electric Kettle
3000 SERIES**

USER MANUAL

MKE170M2ADK

Warning notices: Before using this product, please read this manual carefully and keep it for future reference. The design and specifications are subject to change without prior notice for product improvement. Consult with your dealer or manufacturer for details.

The diagram above is just for reference. Please take the appearance of the actual product as the standard.

THANK YOU LETTER

Thank you for choosing Midea! Before using your new Midea product, please read this manual thoroughly to ensure that you know how to operate the features and functions that your new appliance offers in a safe way.

CONTENTS

THANK YOU LETTER	01
SAFETY INSTRUCTIONS	02
SPECIFICATIONS	06
PRODUCT OVERVIEW	07
OPERATION INSTRUCTIONS	08
CLEANING AND MAINTENANCE	09
TRADEMARKS, COPYRIGHTS AND LEGAL STATEMENT	10
DISPOSAL AND RECYCLING	11
DATA PROTECTION NOTICE	12

SAFETY INSTRUCTIONS

Intended Use

The following safety guidelines are intended to prevent unforeseen risks or damage from unsafe or incorrect operation of the appliance. Please check the packaging and appliance on arrival to make sure everything is intact to ensure safe operation. If you find any damage, please contact the retailer or dealer. Please note modifications or alterations to the appliance are not allowed for your safety concern. Unintended use may cause hazards and loss of warranty claims.

Explanation of Symbols



Danger

This symbol indicates that there are dangers to the life and health of persons due to extremely flammable gas.



Warning of electrical voltage

This symbol indicates that there is a danger to life and health of persons due to voltage.



Warning

The signal word indicates a hazard with a medium level of risk which, if not avoided, may result in death or serious injury.



Caution

The signal word indicates a hazard with a low degree of risk which, if not avoided, may result in minor or moderate injury.



Attention

The signal word indicates important information (e.g. damage to property), but not danger.



Observe instructions

This symbol indicates that a service technician should only operate and maintain this appliance in accordance with the operating instructions.

Read these operating instructions carefully and attentively before using/commissioning the unit and keep them in the immediate vicinity of the installation site or unit for later use!

PLEASE FOLLOW THE ABOVESAFETY PRECAUTIONS

Caution

- Read carefully and save all the instructions.
- For additional protection, we recommend the use of a power outlet with a rated current of 10A. To avoid circuit overload, do not operate another high wattage appliance on the same circuit.
- Do not fill kettle when positioned on base, Dry the water on the bottom of the body before place it onto power base.
- Close supervision is necessary when your appliance is being used near children or infirm persons.
- This appliance can be used by children aged from 8 years and above if they have been given supervision or instruction concerning use of the appliance in a safe way and if they understand the hazards involved. Cleaning and user maintenance shall not be made by children unless they are older than 8 and supervised. Keep the appliance and its cord out of reach of children aged less than 8 years.
- This appliance is intended to be used in household and similar applications as:
 - Staff kitchen areas in shops, offices and other working environments;
 - Farm houses;
 - By clients in hotels, motels and other residential type environments;
 - Breakfast type environments.
- CAUTION: Position the lid so that steam is directed away from the handle.
- CAUTION: Insure that the appliance is switched off before removing it from its stand.

- CAUTION: Be careful and avoid water spillage on connector.
- Incorrectly use of appliance may cause serious burns, therefore, attention shall be taken.
- Appliances can be used by persons with reduced physical, sensory or mental capabilities or lack of experience and knowledge if they have been given supervision or instruction concerning use of the appliance in a safe way and understand the hazards involved.
- Children shall not play with the appliance.

⚠ Warning

- Never leave the appliance unattended when in use.
 - Electric kettle must be operated on a flat surface. Do not place this appliance on or near a hot gas or electric burner or on the top of other electric appliances.
 - Do not touch hot surfaces, use the handle. Be aware of steam being emitted from spout or lid especially during refilling. Do not remove lid during boiling cycle.
 - Do not use the kettle to heat anything other than water. Do not fill above the “max” indication. Do not operate kettle if water is below minimum.
 - Do not let the power cord hang over the edge of the table or touch hot surfaces. Always store excess portion of the power cord in the compartment of the base unit.
 - Do not immerse any part of the appliance in water or other liquid. Do not use your appliance with an extension cord unless this cord has been checked and tested by a qualified technician or service person. Always use your appliance from a power outlet of the voltage(A.C. only)marked on the appliance.
 - If the power cord is damaged, it must be changed by manufacturer or authorized persons.
- NOTE: If the kettle is overfilled, boiling water may be ejected. The kettle is only to be used with the stand provided.

WARNING: Do not switch on if there is a possibility that the water in the heater is frozen.

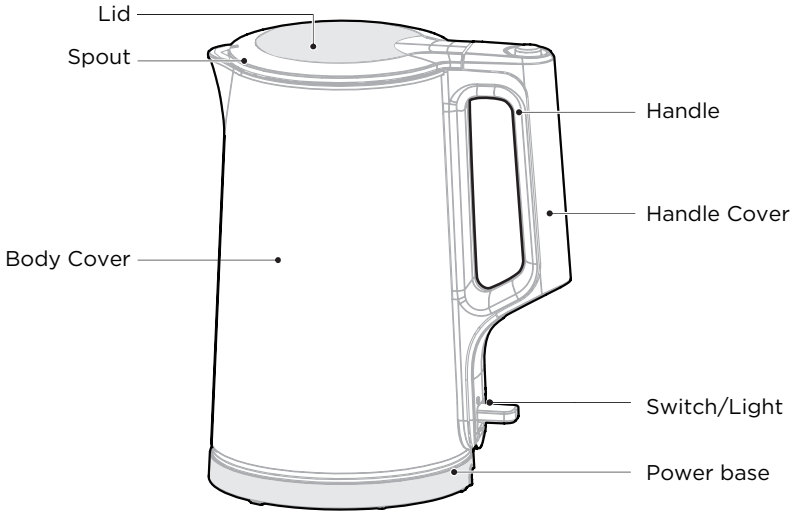
- Always unplug from the plug socket when in following conditions: No water in kettle Filling water Not in use Before cleaning or moving kettle.
- Call our free customer assistance number for information or return to our Customer Service Department for examination and repair. Never repair the appliance by yourself. WARNING: To reduce the risk of fire or electric shock , do not remove the bottom cover of the body or the power base by yourself.
- Do not use a base unit other than the one supplied. The use of accessory attachments not recommended by the manufacturer may result in fire electrical shock or personal injury.
- Do not insert any object into slots or holes of the kettle.
- This appliance is for household use only. Do not use outdoors.
- WARNING: Do not remove the lid while the water is boiling.
- Do not try to access into kettle's container, heating element surface ins subjected to residual heat after use.

SPECIFICATIONS

Product Model	MKE170M2ADK
Rated Voltage	220-240V-
Rated Frequency	50-60Hz
Power	1800-2150W
Capacity	1.7L

PRODUCT OVERVIEW

Component name



NOTE:

All the pictures in this manual are for explanation purpose only. Any discrepancy between the real object and the illustration in the drawing shall be subject to the real subject.

OPERATION INSTRUCTIONS

Rational design, bring convenience and enjoyment to your life.

1. Steam control to switch the kettle off after boiling.
2. Rapid boiling , save time and energy for you.
3. Automatically cut for boil-dry protection.
4. Cool touch housing after boiling.
5. SUS304 Food Grade Stamping.
6. 360° rotational power base.
7. Thermostat of high quality.
8. Double wall kettle.
9. Strix.

For the first time to use or no use for a long time, it is recommended that you fill to the maximum level mark with fresh tap water, boil and empty the kettle at least 2 times to clear kettle of any tiny particles. Do not drink such water.


1. Pull the lid lock on the lid backward, and you can open it.
2. Remove the kettle from the base to the filling place. Fill the kettle with desired amount (no less than the minimum and no more than the maximum.) Put back the lid; place the kettle back on the base unit.
3. Connect the plug into a power outlet (220-240V,AC), switch the kettle on by pressing the switch. The light will illuminate to indicate the kettle is heating.
4. The kettle will automatically switch off once the water has boiled and the neon light goes off.
5. Lift the kettle from the base, and you can pour out the water into container.

CLEANING AND MAINTENANCE

To prolong the kettle's life, please clean the mineral deposits in the kettle regularly. Always unplug from the plug socket and allow to cool down before cleaning. Do not use chemical, steel wool, or abrasive cleaners to clean the outside of the kettle, as these will scratch the surface and fade the outside color.

1. Fill the kettle with 0.5L white vinegar and the remainder with water and allow to stand for over 1 hours ;
2. Empty the solution from the kettle. Wipe off the deposits remained with damp cloth
3. Fill the kettle with clean water, bring to boil and then discard the water. Repeat and the kettle will be ready to use;
4. If necessary, repeat the operations above for several times;
5. Do not immerse into water. The surface of the kettle may be wiped over with a damp cloth and polished with a soft dry cloth.
6. Grasp the top of the scale filter and pull upwards to remove. Wash with clean water and dry thoroughly before replacing in the kettle.

TRADEMARKS, COPYRIGHTS AND LEGAL STATEMENT

 Midea logo, word marks, trade name, trade dress and all versions there of are valuable assets of Midea Group and/or its affiliates (“Midea”), to which Midea owns trademarks, copyrights and other intellectual property rights, and all goodwill derived from using any part of an Midea trademark. Use of Midea trademark for commercial purposes without the prior written consent of Midea may constitute trademark infringement or unfair competition in violation of relevant laws.

This manual is created by Midea and Midea reserves all copyrights thereof. No entity or individual may use, duplicate, modify, distribute in whole or in part this manual, or bundle or sell with other products without the prior written consent of Midea.

All the described functions and instructions were up to date at the time of printing this manual. However, the actual product may vary due to improved functions and designs.

DISPOSAL AND RECYCLING

Important instructions for environment

Compliance with the WEEE Directive and Disposing of the Waster Product:
This product complies with EU WEEE Directive (2012/19/EU). This product bears a classification symbol for waster electrical and electronic equipment (WEEE).

This symbol indicates that this product shall not be disposed with other household wastes at the end of its service life. Used device must be returned to official collection point for recycling of electrical electronic devices. To find these collection systems please contact to your local authorities or retailer where the product was purchased. Each household performs important role in recovering and recycling of old appliance. Appropriate disposal of used appliance helps prevent potential negative consequences for the environment and human health.

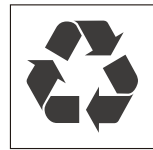


Compliance with RoHS Directive

The product you have purchased complies with EU RoHS Directive (2011/65/EU). It does not contain harmful and prohibited materials specified in the Directive.

Package information

Packaging materials of the product are manufactured from recyclable materials in accordance with our National Environment Regulations. Do not dispose of the packaging materials together with the domestic or other wastes. Take them to the packaging material collection points designated by the local authorities.



DATA PROTECTION NOTICE

For the provision of the services agreed with the customer, we agree to comply without restriction with all stipulations of applicable data protection law, in line with agreed countries within which services to the customer will be delivered, as well as, where applicable, the EU General Data Protection Regulation (GDPR).

Generally, our data processing is to fulfil our obligation under contract with you and for product safety reasons, to safeguard your rights in connection with warranty and product registration questions. In some cases, but only if appropriate data protection is ensured, personal data might be transferred to recipients located outside of the European Economic Area.

Further information are provided on request. You can contact our Data Protection Officer via **MideaDPO@midea.com**. To exercise your rights such as right to object your personal data being processed for direct marketing purposes, please contact us via **MideaDPO@midea.com**. To find further information, please follow the QR Code.