

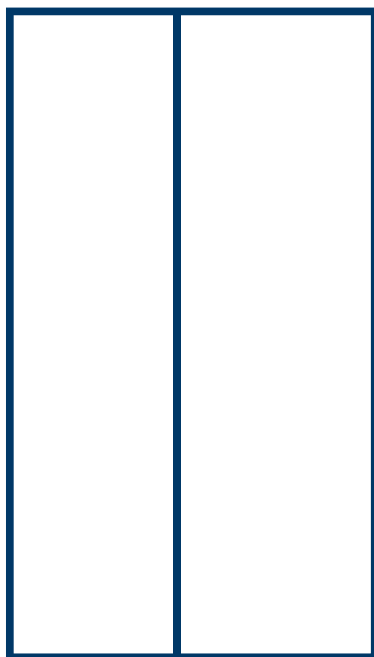


EN

USER MANUAL

REFRIGERATOR

Side By Side



Please read the Manual carefully before use.
The Manual shall be kept in good custody for later reference

version:001

MODEL: JHSBSINV584G2

www.midea.com

CONTENTS

Warning · · · · ·	1
Notice · · · · ·	2-3
Correct use for your refrigerator · · · · ·	4-5
Key components · · · · ·	6-8
Functions · · · · ·	9-11
Changing the Light · · · · ·	12
Trouble shooting · · · · ·	13
Energy saving tips · · · · ·	14
Warnings for energy · · · · ·	14
Warnings for disposal · · · · ·	14

Dear users, thank you for choosing Midea refrigerator!

Warning



Warning: risk of fire / flammable materials

This appliance is intended to be used in household and similar applications such as staff kitchen areas in shops, offices and other working environments; farm houses and by clients in hotels, motels and other residential type environments; bed and breakfast type environments; catering and similar non-retail applications.

If the supply cord is damaged, it must be replaced by the manufacturer, its service agent or similarly qualified persons in order to avoid a hazard.

Do not store explosive substances such as aerosol cans with a flammable propellant in this appliance.

The appliance has to be unplugged after use and before carrying out user maintenance on the appliance.

WARNING: Keep ventilation openings, in the appliance enclosure or in the built-in structure, clear of obstruction.

WARNING: Do not use mechanical devices or other means to accelerate the defrosting process, other than those recommended by the manufacturer.

WARNING: Do not damage the refrigerant circuit.

WARNING: Do not use electrical appliances inside the food storage compartments of the appliance, unless they are of the type recommended by the manufacturer.

WARNING: Please abandon the refrigerator according to local regulators for its use flammable blowing gas and refrigerant.

WARNING: When positioning the appliance, ensure the supply cord is not trapped or damaged.

WARNING: Do not locate multiple portable socket-outlets or portable power supplies at the rear of the appliance.

Do not use extension cords or ungrounded (two prong) adapters.

DANGER: Risk of child entrapment. Before you throw away your old refrigerator or freezer:

–Take off the doors.

–Leave the shelves in place so that children may not easily climb inside.

The refrigerator must be disconnected from the source of electrical supply before attempting the installation of accessory.

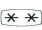


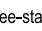
Refrigerant and cyclopentane foaming material used for the refrigerator are flammable. Therefore, when the refrigerator is scrapped, it shall be kept away from any fire source and be recovered by a special recovering company with corresponding qualification other than be disposed by combustion, so as to prevent damage to the environment or any other harm.

For EN standard: This appliance can be used by children aged from 8 years and above and persons with reduce physical sensory or mental capabilities or lack of experience and knowledge if they have been given supervision or instruction concerning use of the appliance in a safe way and understand the hazards involved. Children shall not play with the appliance. Cleaning and user maintenance shall not be made by children without supervision. Children aged from 3 to 8 years are allowed to load and unload refrigerating appliances.

For IEC standard: This appliance is not intended for use by persons (including children) with reduced physical, sensory or mental capabilities, or lack of experience and knowledge, unless they have been given supervision or instruction concerning use of the appliance by a person responsible for their safety.)

Children should be supervised to ensure that they do not play with the appliance.

The instructions shall include the substance of the following: To avoid contamination of food, please respect the following instructions:

- Opening the door for long periods can cause a significant increase of the temperature in the compartments of the appliance.
- Clean regularly surfaces that can come in contact with food and accessible drainage systems.
- Clean water tanks if they have not been used for 48 h; flush the water system connected to a water supply if water has not been drawn for 5 days. (note 1)
- Store raw meat and fish in suitable containers in the refrigerator, so that it is not in contact with or drip onto other food.
- Two–star  frozen–food compartments are suitable for storing pre–frozen food, storing or making ice–cream and making ice cubes. (note 2)
- One  –,two  –and three–star  compartments are not suitable for the freezing of fresh food. (note 3)
- If the refrigerating appliance is left empty for long periods, switch off, defrost, clean, dry, and leave the door open to prevent mould developing within the appliance.

Note 1,2,3 : Please confirm whether it is applicable according to you product compartment type.

Please read it carefully and keep for future reference

Thanks for you purchasing Refrigerator of Midea.

NOTICE

Before it is used, please notice important safety instruction

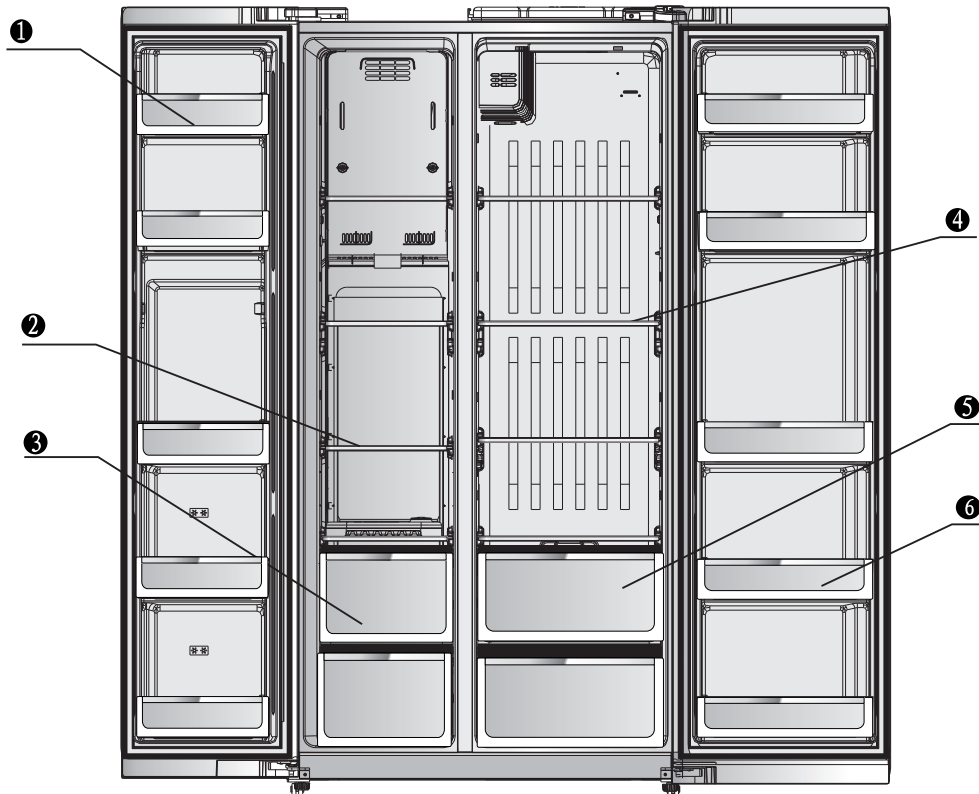
Please read this guide thoroughly before operation and keep it handy for reference at all time.

The company's products should continue to improve, subject to change without notice,

When disposing of any refrigerator equipment please contact your local waste disposal department for advice on safe disposal.

Do not store or place dry ice in the refrigerator.

You purchase refrigerator certain characteristics and fitting possibly with this using guide not completely consistent, Please take the refrigerator in the packing list as the standard. This makes an apology sincerely.



- 1 Freezer door rack
- 2 Freezer compartment glass shelf
- 3 Freezer compartment drawer
- 4 Refrigerator compartment glass shelf
- 5 Vegetable crisper
- 6 Refrigerator door rack

Preparing before using

Sepecification of product

- **Invariable keeping fresh technology**

Separate windy system in refrigerator compartment, separate temperature control, stable storage temperature, long time fresh.

- **Defrost pre-cold**

Technology of defrost pre-cold with purpose of keeping temperature stable in refrigerator, suitable for keep food fresh.

- **Aptitude defrosting**

Defrosting depends on using frequency with purpose of energy saving

- **Gliding shelves, convenient using**

Freezer and refrigerator's rack designed as gliding and stretching ,it's convenient to stored.

- **Human aptitude**

Freezing effect is adjusted according to storage temperature and inside temperature by computer

- **Nice dimension**

Ultra-thin size;Ultra great volume; Refrigerator compartment uses the upscale armored glass rack.

- **CFC and no-frost design. Fasting freezing**

- **Automatic alarm of problem**

- **Reliable compressor with good quality**

- **Opening door alalrm, LED screen**

Correct Use for Your Refrigerator

Warnings

- Don't use mechanical equipment or other methods to accelerate the defrosting process except the means recommended by the manufacturer.
- Don't use any electrical appliances in the food storage compartments except the model recommended by the manufacture.
- The R600a refrigerant and cyclopentane foaming material used in the refrigerator are inflammable. All waste and discarded refrigerators shall be placed away from naked fire and they are not allowed to burn.

New refrigerator is coming

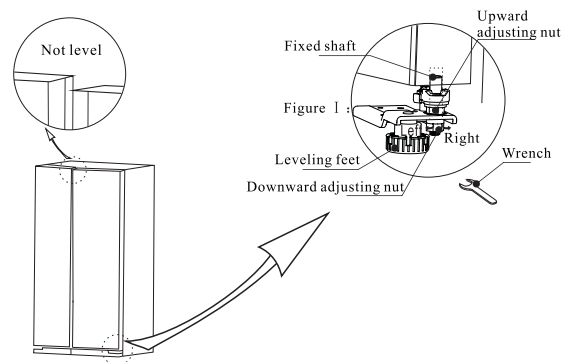
- Remove all packaging material before using the new refrigerator. This includes the foam base and all adhesive tape holding the refrigerator accessories inside and outside.
- Clean both the inside and outside of the refrigerator with wet cloth (a little detergent could be added into the warm water to wash the cloth and then wipe it again with the clean water);
- Prepare an independent two-pole socket with grounding contact for the refrigerator and it shall not share a multi-purpose socket with other electrical appliances;
- Do connect grounding wire! The grounding pole of the socket shall be provided with a reliable grounding wire.
- Open the refrigerator body and take out the accessory (decorative cover for bottom beam) and the three screws from the instruction packaging bag; then install them into the bottom beam as shown by the schematic diagram on the right.

Instruction to height adjustment of the door

Before adjusting the height of the door, rotate the downward adjusting nut clockwise (as shown in Figure I) for 2 circles with a wrench, and loosen the downward adjusting nut. Rotate the upward adjusting nut (as shown in Figure I) to adjust the height, and then tighten the downward adjusting nut counterclockwise again.

1. When the door of refrigerating chamber is low:
Open the door, use the accompanying wrench to rotate the upward adjusting nut counterclockwise according to the method as shown in Figure I, to move it upward until it is parallel and level.
2. When the door of refrigerating chamber is high:
Open the door, use the accompanying wrench to rotate the upward adjusting nut clockwise according to the method as shown in Figure I, to move it downward, until it is parallel and level.

Note: Height adjustment cannot be too large. The total height can be adjusted to 5 mm!



Refrigerators transportation and location

Transportion

Please don't inverted,squeezed, virbration refrigertor. when moving, the tilt angle can't larger than 45 degree.

When moving, dont cling the door or coping.

Location

Ensure proper air circulation around refrigerator , dont place the unit near heat source, direct sunlight , moisture or water, avoid rust and weakening the insulation.

Top space at least 30cm , space on both the sides and back at least 10cm from the wall, So refrigeratordoor can open or close convenience and emanate heat.

Installing the refrigerator on solid 、 level floor(If don't level ,it can adjust the leveler to level.)

Attention

Dont allow the power cable pressed by refrigerator or other heavy object ,lest damaging the power cable ,it may arouse suddenness.

Before connecting the power ,please checking the voltage range of refrigerator and power supply carefully.

Start using

Before it is used, make sure that the refrigerator is installed on the solid and level floor. .To understand all the attention to security matters.

1. After unsealing the refrigerator, to fix lower cover on the refrigerator.

(If the door rugged, Please refer to the adjustment instructions which locate in the lower left corner of the right panel of Refrigerator to adjust.)

2.Connect to power supply

After connecting to power supply, the refrigerator is in the default status,and it shows the actual chilled and frozen temperature . The refrigerator has a Power-down memory, The first time when it is power on, then every time will be set up at the last power-down operation.

3.Work model of the refrigerator

Human mode:You can useTemperature Control keys to set the temperature.

4.Put the food into the refrigerator

After a period of time of the operation of electricity, the refrigerator inside is already

full cooling. Then you can put the food into the refrigerator and start using the refrigerator.

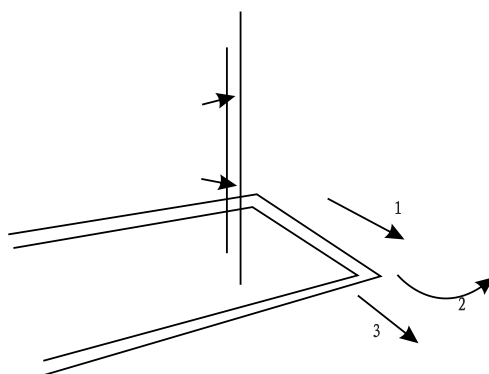
Tips: When the temperature is set to change or put new food into the refrigerator, it takes some time to balance the inside temperature. The length of this period depends on the size of the temperature change, the temperature of surrounding environment, the frequency of opening door and the number of food, and so on.

Refrigerator compartment

Put the food which are short-term storage or to eat at any time in the refrigerator compartment.

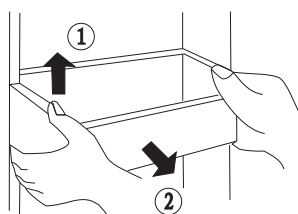
Although regulating temperature will enable average temperature of the majority of regional cold rooms maintain between 0-10 °C, it can not make long-term preservation of food. Therefore, refrigerator compartment only use as a short-term food storage.

Shelf adjustment



According to the needs of food storage, you can adjust the shelf to proper position; To facilitate the use of it or adjustment the location, the shelf can be set to slip so that you can use and adjust it easily. When you want to clear the shelf, please move the shelf by the direction (1), then turn the shelf in the direction (2) for 90° until it is perpendicular to the original direction, pull out the shelf by the direction (3).

Height adjustment and cleaning of rack

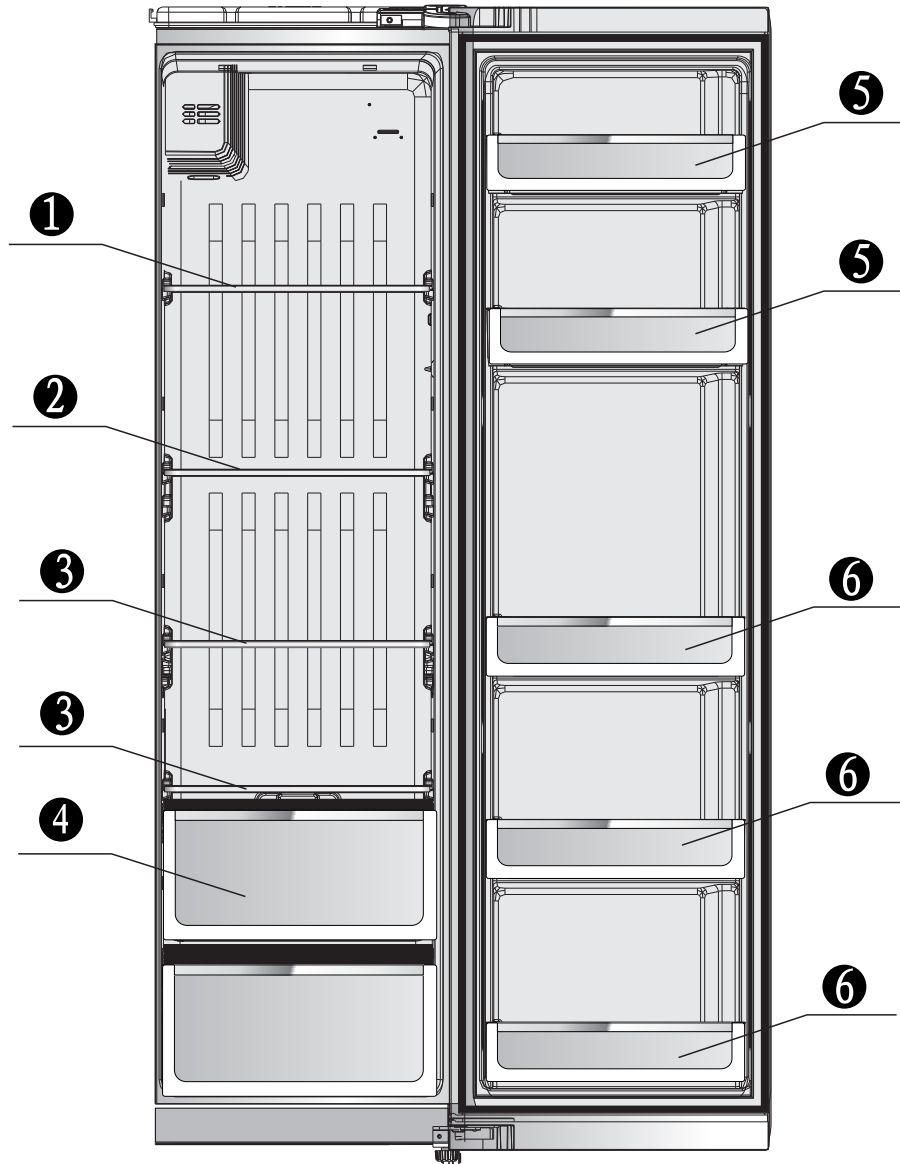


Lift the **rack** by the direction ①, hold both the sides, then pull it out by the direction ②. After cleaning, to install the **rack** by the opposite direction. You can also adjust the position according to the height of stored food.

Refrigerator compartment

Recommendations of storage area for all kinds of food

As the cycle of air-conditioning in the refrigerator, it makes the temperature of all area differences. So different kinds of food should be placed on different temperature region.



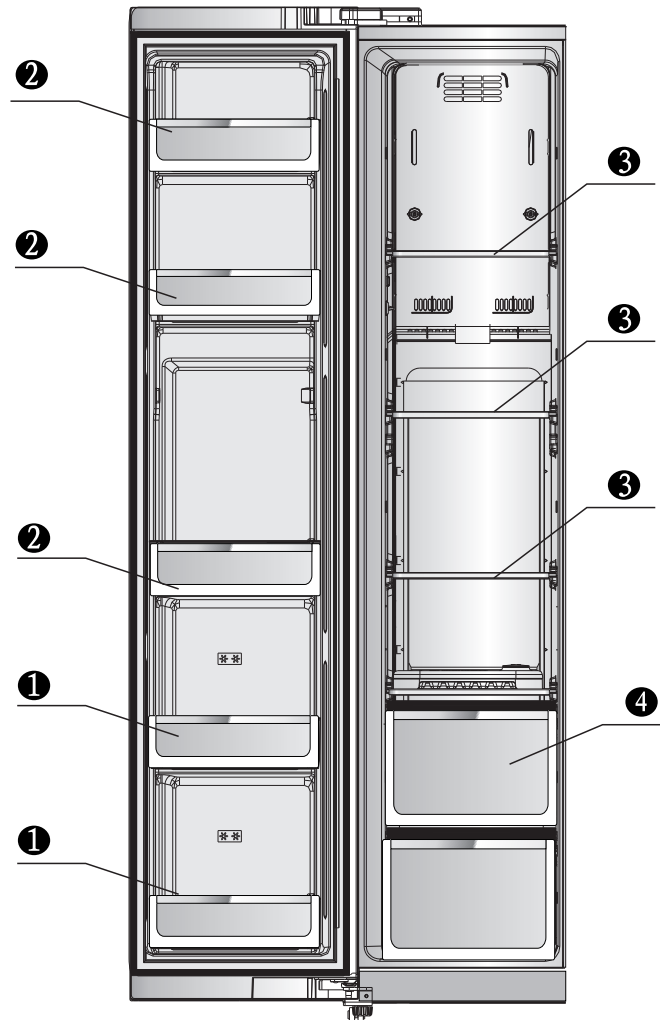
- ① Store pasta, canned ,milk, etc.
- ② Store fast food, easy-string together gustatorius food, dairy products, etc.
- ③ Store cooked meat and sausage, etc.
- ④ Store fruits and vegetables, etc
- ⑤ Store easy-open tin can , canned, spices, etc.
- ⑥ Store all kinds of bottled drinks and food

Freezer compartment

Freezer compartment is for food storage for a long time

The temperature of freezer compartment is very low, so it can keep food fresh state for a long time. You'd better put the food which need long period of time to save in this space. But, you should comply with the storage time marked on food packaging.

Recommendations of storage area for all kinds of food



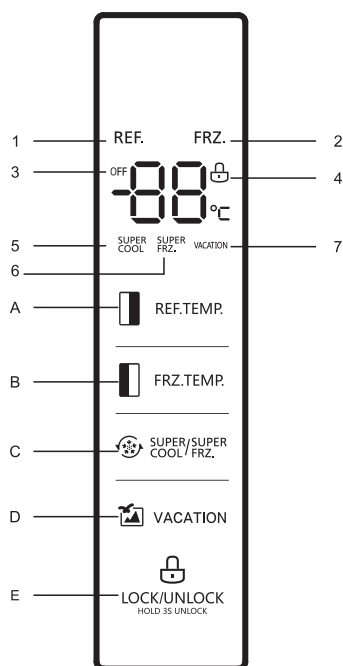
① The storage grilles on the door of the freezer room (2 stars) are used for short-term storage of food and ice cream.

② **The storage grilles in the freezer room are used for the storage of frozen food.**

③ The glass shelves are used for the storage of frozen foods, such as fish, meat and ice cream.

④ Freezer drawer is used for the storage of fish, meat and poultry with the food packaging.

Introduction of Function



1. Button operation

A. Refrigerator compartment temperature adjustment

B. Freezer compartment temperature adjustment

C. Super cool/Super FRZ. D. Vacation mode E. Lock/Unlock

2. Display

1. Refrigerator compartment 2. Freezer compartment

3. Close Refrigerator compartment 4. Lock icon 5. Super cool mode

6. Super FRZ. mode 7. Vacation mode

3. Lock/Unlock

At non-lock state, Press E key for 3 seconds, the refrigerator will go into the state of Locked and the 4 icon shows . Press E key for 3 seconds persistently at the Locked state the 4 icon shows and the locked state releases.

The following functions must be in operation under the unlocked state

Press mode button (button C), you can choose running mode as the following.



The following settings must be valid upon locking.

4. Vacation mode

Press D key to select Vacation mode, the 7 icon shows, then press E key to confirm, the refrigerator will be running according to Vacation mode.

5. Super cool mode

Press key C to select Super cool mode, the icon 5 turns on. Upon the lock, the refrigerator will run under the Super cool mode.

6. Super FRZ. mode

Press key C to select Super FRZ. mode, the icon 6 turns on. Upon the lock, the refrigerator will run under the Super FRZ. mode.

7. Refrigerator compartment temperature settings

Press the key REF.TEMP. (Key A), the refrigerating temperature area gives a prompt by flashing. Then, press the key REF.TEMP. to adjust the setting temperature upon a beep. The temperature changes 1°C each press, ranging between 2~8°C.

Temperature adjustment is: 8°C-7°C-6°C-5°C-4°C-3°C-2°C-8°C-7°C... Upon the temperature adjustment, the nixie tube flashes for 5s and the new setting temperature is effective upon the lock.

8. Freezer room temperature settings

Press the key FRZ.TEMP. (Key B), the freezing temperature area gives a prompt by flashing. Then, press the key FRZ.TEMP. to adjust the setting temperature upon a beep. The temperature changes 1°C each press, ranging between -16~-24°C.

Temperature adjustment is: -16°C--17°C--18°C--19°C--20°C--21°C--22°C--23°C--24°C--16°C --17°C... Upon the temperature adjustment, the nixie tube flashes for 5s and the new setting temperature is effective upon the lock.

Note: when the set temperature of freezer changes, if set relevant function mode (e.g. quick-cold mode, quick-freezer mode, quick-cold and freezer mode, vocation mode), the relevant function mode should be quitted or canceled at once.

Announcements

● the refrigerator use alternating current supply which is 220-240V/50Hz. If the voltage fluctuations is large(Over the scope of 198-264V), it may cause some failures, such as the refrigerator does not start, The main control board and compressor burn and the compressor works with abnormal voice. etc. At this time you must install an automatic voltage regulator which is above 1000W for use. The refrigerator power's cord with a three-plug (grounding) complies with the standard three-socket (grounding). Don't cut off or remove the third pin of the power cord under any circumstances. After the refrigerator is installed, Plugs should be able to reach to facilitate use. the power Plug must be firmly contacted with the socket, otherwise it might cause fire.

● Do not grasp and drag the power cord to pull out the refrigerator plugs. Hold the plug firmly, and pull out the plug from the socket directly. Do not let power lines be pinned by the refrigerator or trampled by people. Be careful when the refrigerator will be removed from walls. Do not roll or damage power lines, Do not use power lines and plugs When they were damaged or worn out. Go to the service center which the factory assigns to replace power lines if they were worn out or damaged.

- When inflammable gas is leaked, such as coal gas, close the gas valve, Open the doors and windows, Do not pull out or plug in plugs of the refrigerator and other appliances.
- Do not store explosive substances such as aerosol cans with a flammable propellant in this appliance.
- Do not use flammable solvent near refrigerator, so as to avoid fire.
- To ensure safety, do not place power outlets, voltage regulated power supply, microwave ovens and other appliances on refrigerator table. Do not use other appliances in refrigerator (except recommended models), In order to avoid electromagnetic interference and other accidents.
- Do not let children go into the refrigerator or climb up the refrigerator. In order to avoid the children are closed in it or the refrigerator falls to hurt children.
- After the refrigerator is running, Do not touch the icy surface of the freezer with hands, particularly hands are wet, It may cause frostbite.
- The gap between door and door and the gap between door and refrigerator body are very narrow. Be careful not to stretch hands into these areas to prevent fingers from injuring. Do not let the children near the refrigerator when open and close the doors.
- Do not spray and rinse the refrigerator with water, and do not install the refrigerator in the wet place or the place which water or rain splashes, so as not to affect the electrical insulation of the refrigerator.
- Never dismantle refrigerator personally, never transform refrigerator and damage cooling pipes. Maintenance of refrigerator must be carried out by professionals
- Do not put bottled of beer、 drinks in the freezer. It may freeze the contents to break the bottle .
- Pull out the plug when power failure or cleaning. Wait for 5 minutes or longer when reconnecting the plug. It may damage the compressor due to continuous start .
- Before you dispose your old refrigerator, take off the door, remove the door seals and the shelves, place the door and rack in the right position, so as to avoid the children climb inside to cause accidents.
- This product is for household refrigerator, according to the regulation of government standard, Household refrigerators are only for food storage, not for other uses, such as storage of blood, drugs and biological products.

Maintenance and care refrigerator

Defrost the freezer

The freezer compartment will defrost automatically, without manual

Cleaning

Dusts behind the refrigerator and on the ground shall be timely cleaned to improve the cooling effect and energy saving.

Check the door gasket regularly to make sure there are no debris. Clean the door gasket with a soft cloth dampened with soapy water or diluted detergent.

The interior of the refrigerator should be cleaned regularly to avoid odor.

Please turn off the power before cleaning interior, remove all foods, drinks, shelves, drawers, etc. Use a soft cloth or sponge to clean the inside of the refrigerator, with two tablespoons of baking soda and a quart of warm water. Then rinse with water and wipe clean. After cleaning, open the door and let it dry naturally before turning on the power.

For areas that are difficult to clean in the refrigerator (such as narrow sandwiches, gaps or corners), it is recommended to wipe them regularly with a soft rag, soft brush, etc. and when necessary, combined with some auxiliary tools (such as thin sticks) to ensure no contaminants or bacteria accumulation in these areas.

Do not use soap, detergent, scrub powder, spray cleaner, etc., as these may cause odors in the interior of the refrigerator or contaminated food.

Clean the bottle frame, shelves and drawers with a soft cloth dampened with soapy water or diluted detergent. Dry with a soft cloth or dry naturally.

Wipe the outer surface of the refrigerator with a soft cloth dampened with soapy water, detergent, etc., and then wipe dry.

Do not use hard brushes, clean steel balls, wire brushes, abrasives (such as toothpastes), organic solvents (such as alcohol, acetone, banana oil, etc.), boiling water, acid or alkaline items, which may damage the fridge surface and interior. Boiling water and organic solvents such as benzene may deform or damage plastic parts.

Do not rinse directly with water or other liquids during cleaning to avoid short circuits or affect electrical insulation after immersion.

Replacement on lights in freezer and refrigerator, and specification of lights

- Specification: direct current 12v, LED
- Shut off the power
- As per the photo, remove the shade along the drive direction of the arrow, and then tighten the screws, remove the LED lights;
- Restore, replace anti-steps
- Replaced by professionals



When Shutting off the refrigerator

No use for Long period of time

You Should pull out the power supply, otherwise, it may cause electric shock or fire if power lines are aging.

When Power failure

You Should minimize the frequency of opening the door, and it is not appropriate to add to fresh foods in the refrigerator.

When discarding the refrigerator

Before you throw away your old refrigerator, make sure take off the doors, so as to avoid the children climb inside to cause accidents.

Trouble shooting

5.1 You may try to solve the following simple problems by yourself.
If they cannot be solved, please contact the after-sales department.

Failed operation	<p>Check whether the appliance is connected to power or whether the plug is in well contact</p> <p>Check whether the voltage is too low</p> <p>Check whether there is a power failure or partial circuits have tripped</p>
Odor	<p>Odoriferous foods shall be tightly wrapped</p> <p>Check whether there is any rotten food</p> <p>Clean the inside of the refrigerator</p>
Long-time operation of the compressor	<p>Long operation of the refrigerator is normal in summer when the ambient temperature is high</p> <p>It is not suggestible having too much food in the appliance at the same time</p> <p>Food shall get cool before being put into the appliance</p> <p>The doors are opened too frequently</p>
Light fails to get lit	<p>Check whether the refrigerator is connected to power supply and whether the illuminating light is damaged</p> <p>Have the light replaced by a specialist</p>
Doors cannot be properly closed	<p>The door is stuck by food packages</p> <p>Too much food is placed</p> <p>The refrigerator is tilted</p>
Loud noise	<p>Check whether the floor is level and whether the refrigerator is placed stably</p> <p>Check whether accessories are placed at proper locations</p>
Door seal fails to be tight	<p>Remove foreign matters on the door seal</p> <p>Heat the door seal and then cool it for restoration (or blow it with an electrical drier or use a hot towel for heating)</p>
Water pan overflows	<p>There is too much food in the chamber or food stored contains too much water, resulting in heavy defrosting</p> <p>The doors are not closed properly, resulting in frosting due to entry of air and increased water due to defrosting</p>
Hot housing	<p>Heat dissipation of the built-in condenser via the housing, which is normal</p> <p>When housing becomes hot due to high ambient temperature, storage of too much food or shutdown of the compressor is shut down, provide sound ventilation to facilitate heat dissipation</p>
Surface condensation	<p>Condensation on the exterior surface and door seals of the refrigerator is normal when the ambient humidity is too high. Just wipe the condensate with a clean towel.</p>
Abnormal noise	<p>Buzz: The compressor may produce buzzes during operation, and the buzzes are loud particularly upon start or stop. This is normal.</p> <p>Creak: Refrigerant flowing inside of the appliance may produce creak, which is normal.</p>

Energy saving tips

The appliance should be located in the coolest area of the room, away from heat producing appliances or heating ducts, and out of the direct sunlight.
Let hot foods cool to room temperature before placing in the appliance. Overloading the appliance forces the compressor to run longer. Foods that freeze too slowly may lose quality, or spoil.
Be sure to wrap foods properly, and wipe containers dry before placing them in the appliance. This cuts down on frost build-up inside the appliance.
Appliance storage bin should not be lined with aluminum foil, wax paper, or paper toweling. Liners interfere with cold air circulation, making the appliance less efficient.
Organize and label food to reduce door openings and extended searches. Remove as many items as needed at one time, and close the door as soon as possible.

Warnings for energy

Warning for energy

- 1) Refrigerating appliances might not operate consistently (possibility of defrosting of contents or temperature becoming too warm in the frozen food compartment) when sited for an extended period of time below the cold end of the range of temperatures for which the refrigerating appliance is designed.
- 2) The fact that effervescent drinks should not be stored in food freezer compartments or cabinets or in low-temperature compartments or cabinets, and that some products such as water ices should not be consumed too cold;
- 3) The need to not exceed the storage time(s) recommended by the food manufacturers for any kind of food and particularly for commercially quick-frozen food in food-freezer and frozen-food storage compartments or cabinets;
- 4) The precautions necessary to prevent an undue rise in the temperature of the frozen food while defrosting the refrigerating appliance, such as wrapping the frozen food in several layers of newspaper.
- 5) The fact that a rise in temperature of the frozen food during manual defrosting, maintenance or cleaning could shorten the storage life.
- 6) The necessity that, for doors or lids fitted with locks and keys, the keys be kept out of the reach of children and not in the vicinity of the refrigerating appliance, in order to prevent children from being locked inside.

Warnings for disposal

Refrigerant and cyclopentane foaming material used for the refrigerator are flammable. Therefore, when the refrigerator is scrapped, it shall be kept away from any fire source and be recovered by a special recovering company with corresponding qualification other than be disposed by combustion, so as to prevent damage to the environment or any other harm.



When the refrigerator is scrapped, disassemble the doors, and remove gasket of door and shelves; put the doors and shelves in a proper place, so as to prevent trapping of any child.



Correct Disposal of this product:

This marking indicates that this product should not be disposed with other household wastes throughout the EU. To prevent possible harm to the environment or human health from uncontrolled waste disposal, recycle it responsibly to promote the sustainable reuse of material resources. To return your used device, please use the return and collection systems or contact the retailer where the product was purchased. They can take this product for environmental safe recycling.



make yourself at home