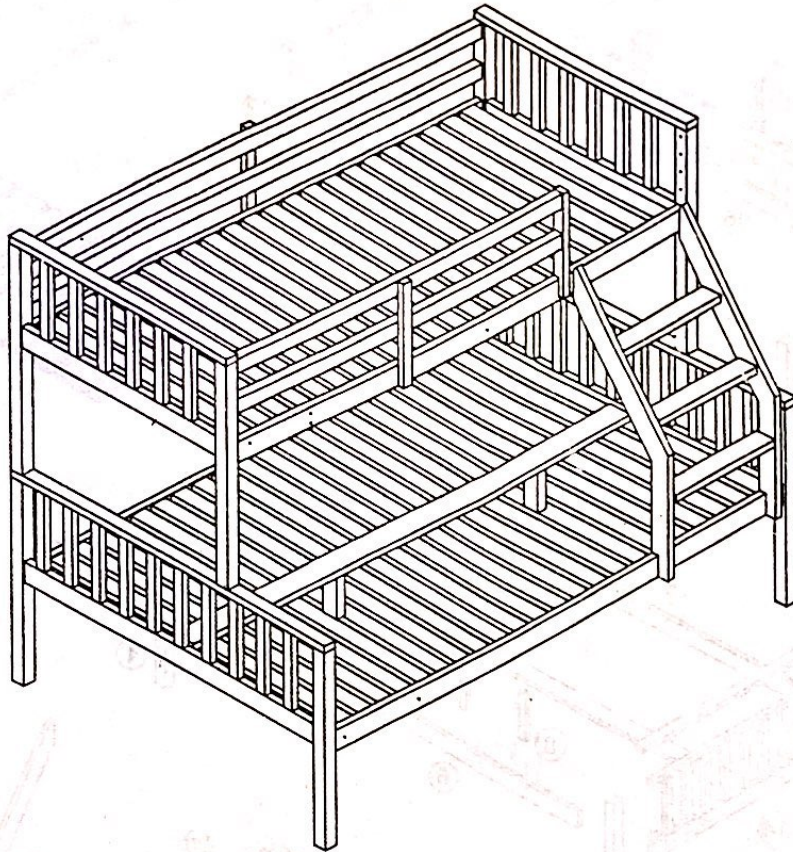




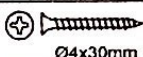
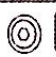



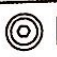
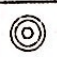


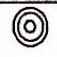
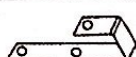
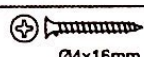


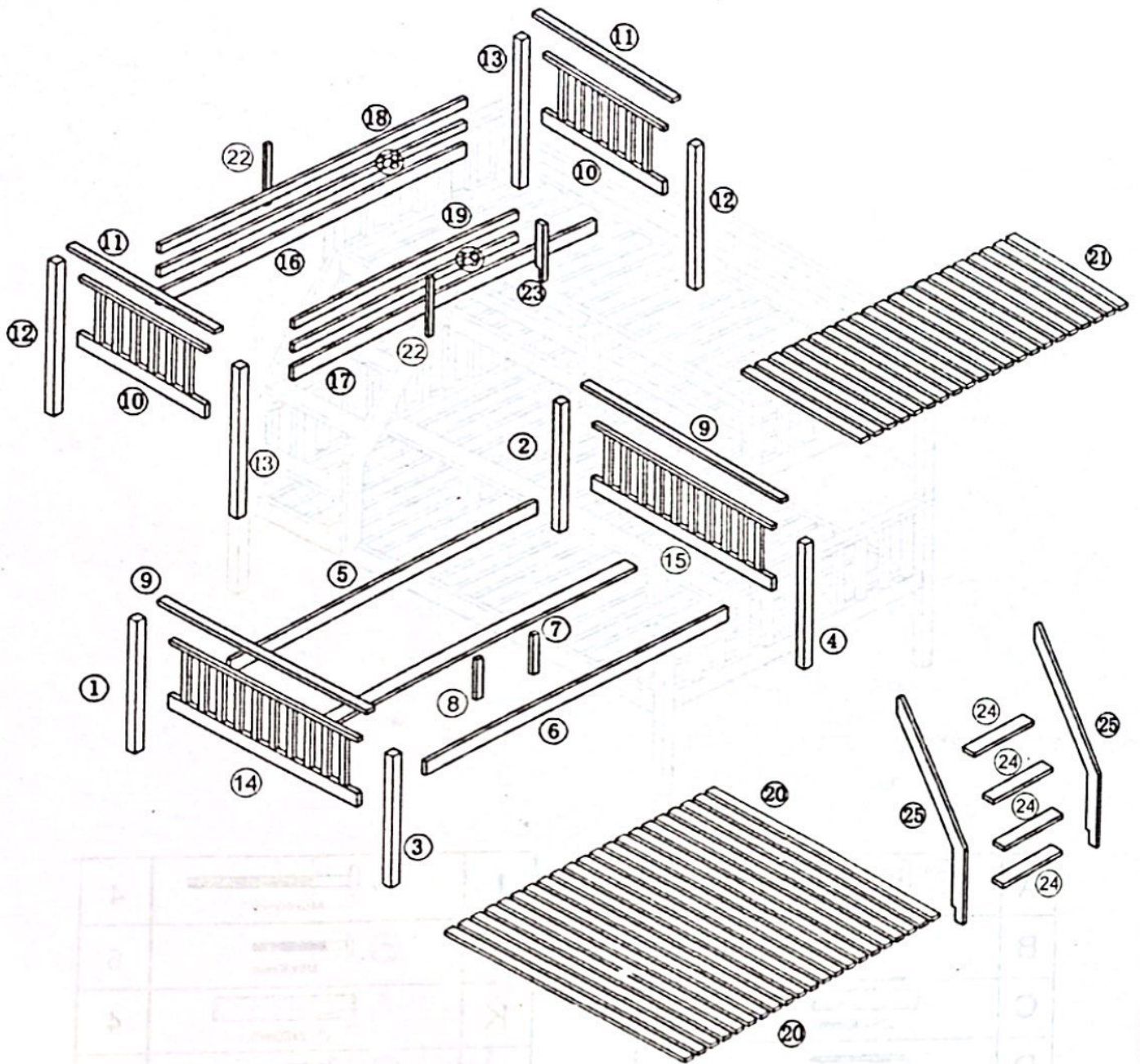
# Assembly Instructions



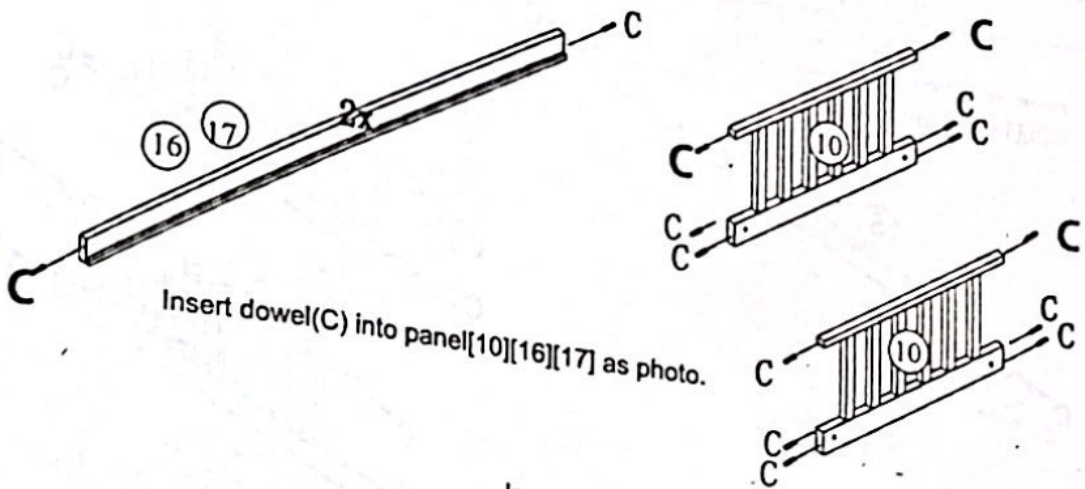
A	 M6x90mm	38
B		40
C	 Ø8x30mm	40
D		2
E	 Ø4x30mm	68
F	 M6x50mm	22
G	 M6x70mm	14
H	Ø8mm  	14

I	 M6x60mm	4
J	 M6x30mm	6
K	 Ø12x80mm	4
L	 M6x18mm	10
M	 M6x45mm	2
N		2
O	 Ø4x16mm	6

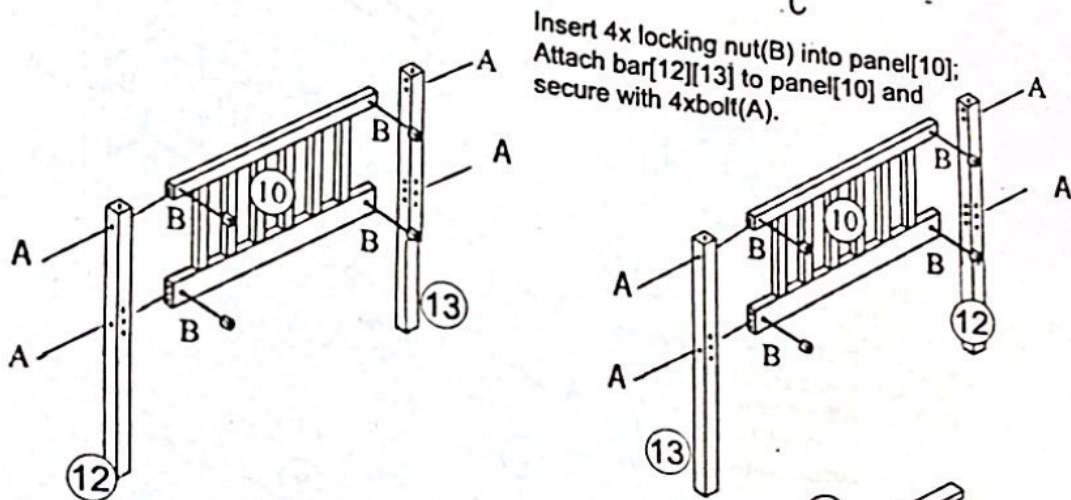
# Assembly Instructions



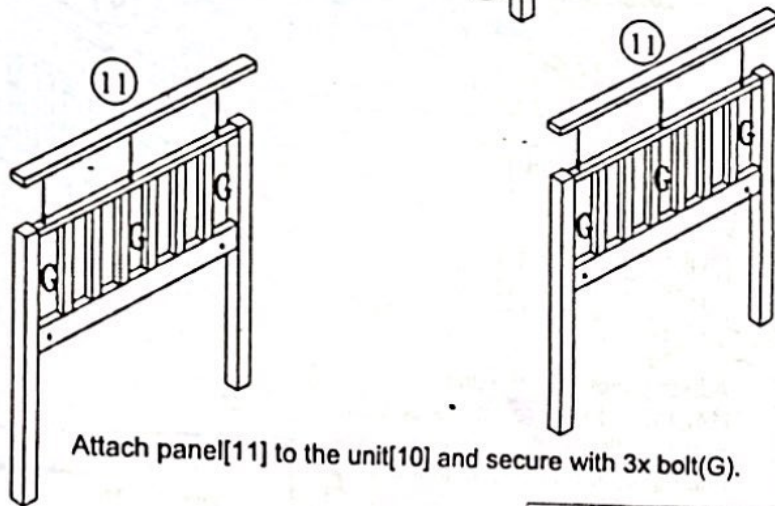




Insert dowel(C) into panel[10][16][17] as photo.







Insert 4x locking nut(B) into panel[10];  
Attach bar[12][13] to panel[10] and  
secure with 4x bolt(A).

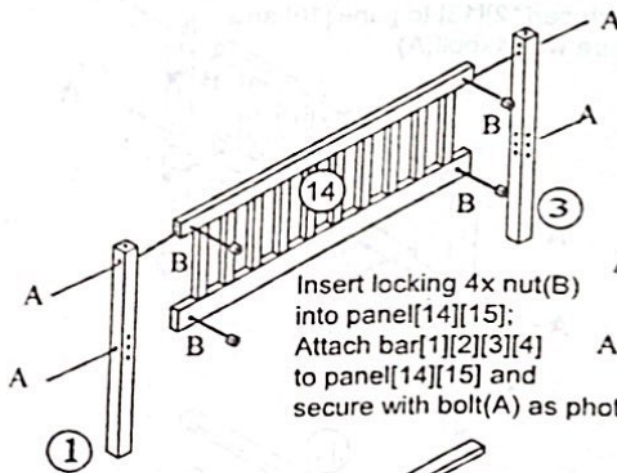
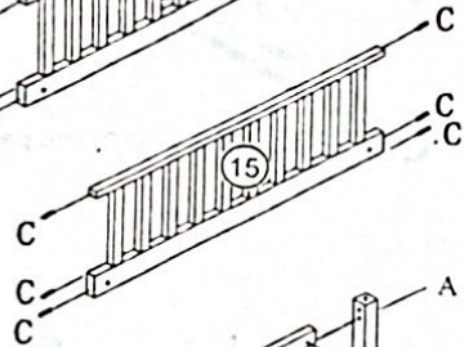
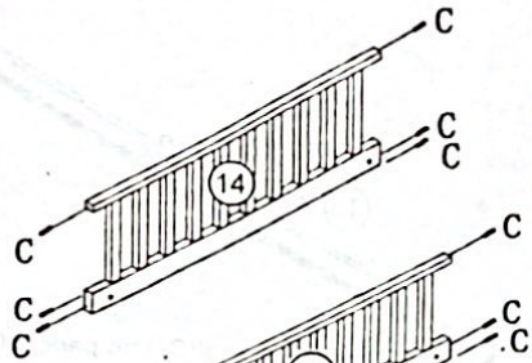
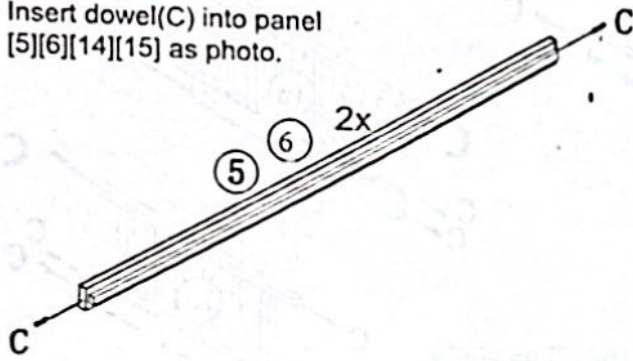


Attach panel[11] to the unit[10] and secure with 3x bolt(G).

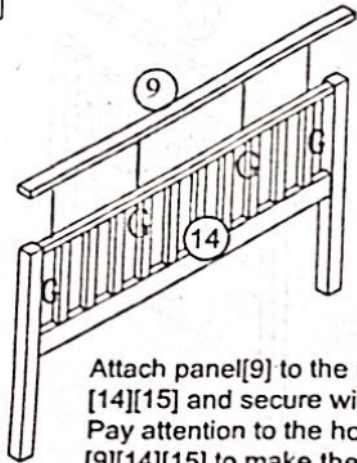
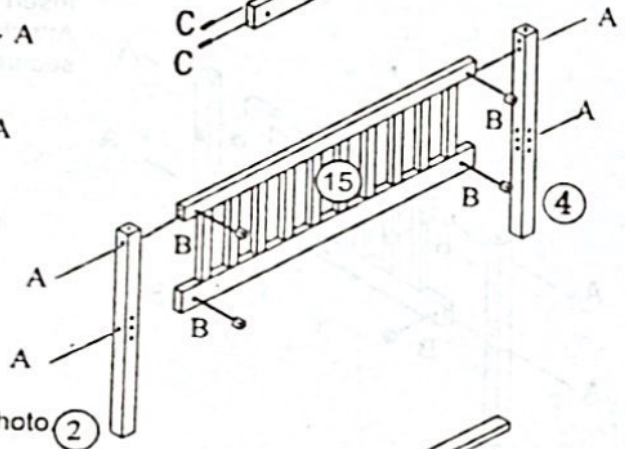
P 3/8

A		M6x90mm	8
B			8
C			16
G		M6x70mm	6

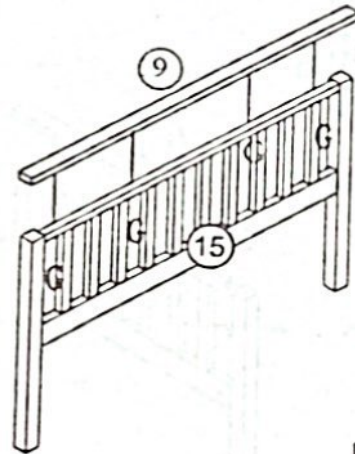
Insert dowel(C) into panel [5][6][14][15] as photo.




Insert locking 4x nut(B) into panel[14][15]; Attach bar[1][2][3][4] to panel[14][15] and secure with bolt(A) as photo [2]






Attach panel[9] to the unit [14][15] and secure with 4x bolt(G). Pay attention to the holes on [9][14][15], to make them in the same position.

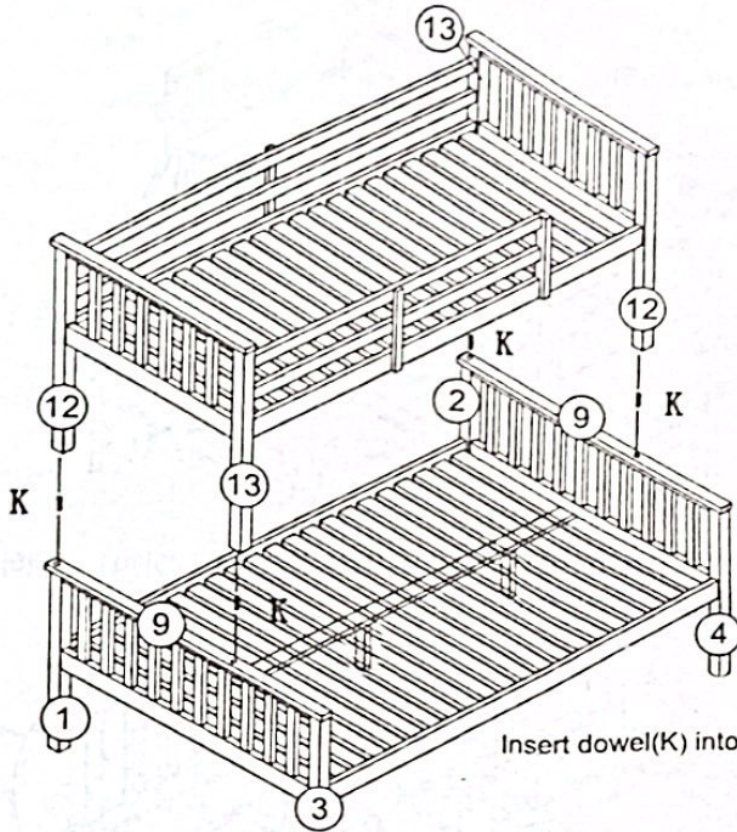


P 4/8

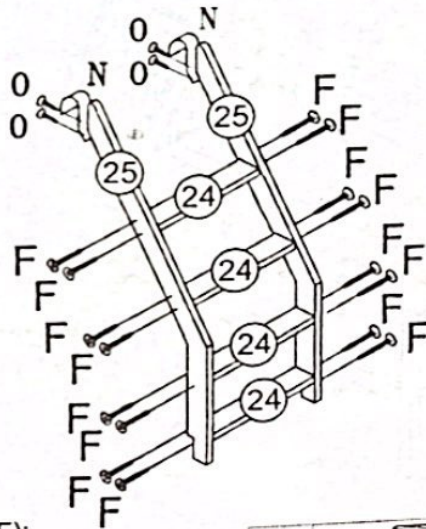
C		16
---	---	----

A		08
B		08
G		08



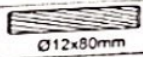
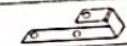
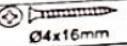
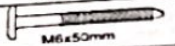


Insert dowel(K) into panel [9], connect two beds.



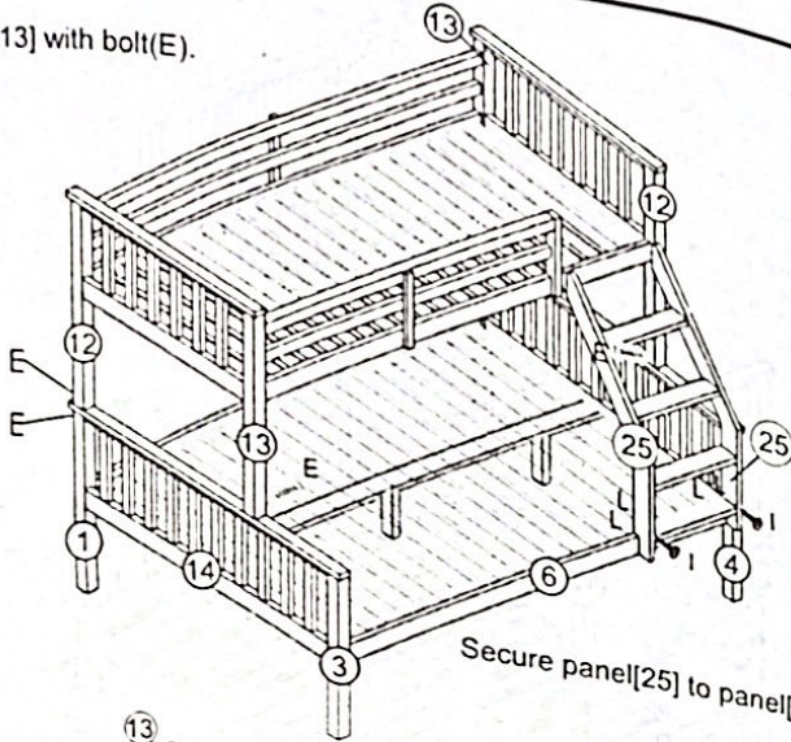
Secure panel [25] to panel [24] with bolt (F);  
Attach hinge (N) to panel [25] and secure with 4x part(O).

P 7/8

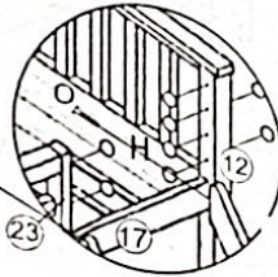
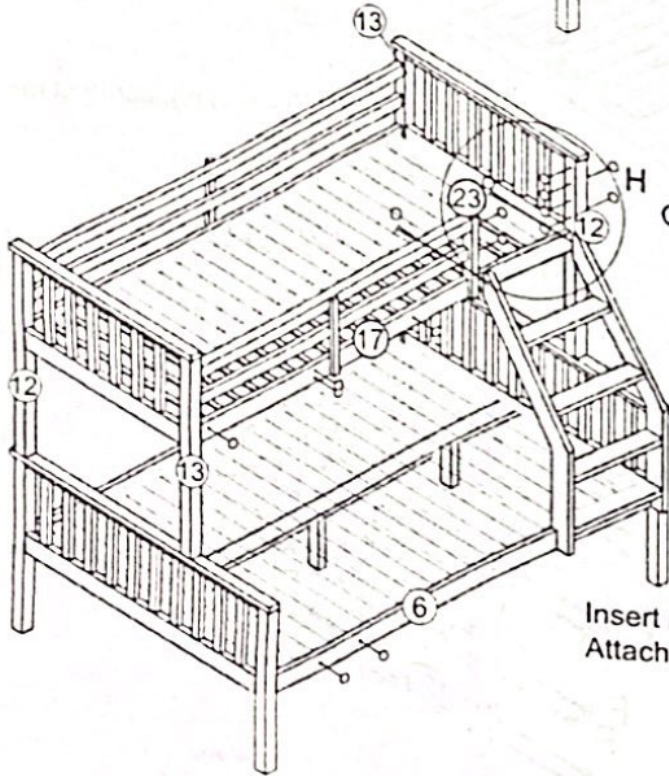
K	 Ø12x80mm	4
N		2
O	 Ø4x16mm	4
F	 M6x50mm	16



Secure bar [1][2][12][13] with bolt(E).



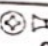

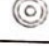


Secure panel[25] to panel[6] with bolt (L)(I).



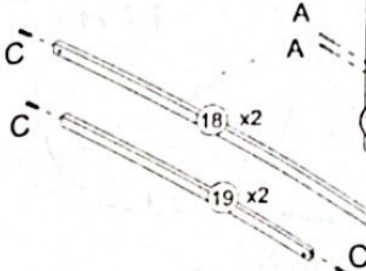
Insert nut(H) into panel[6][12][17][23] as photo.  
Attach hinge(N) to panel[17] and secure with part(O)

P 8/8

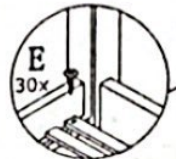
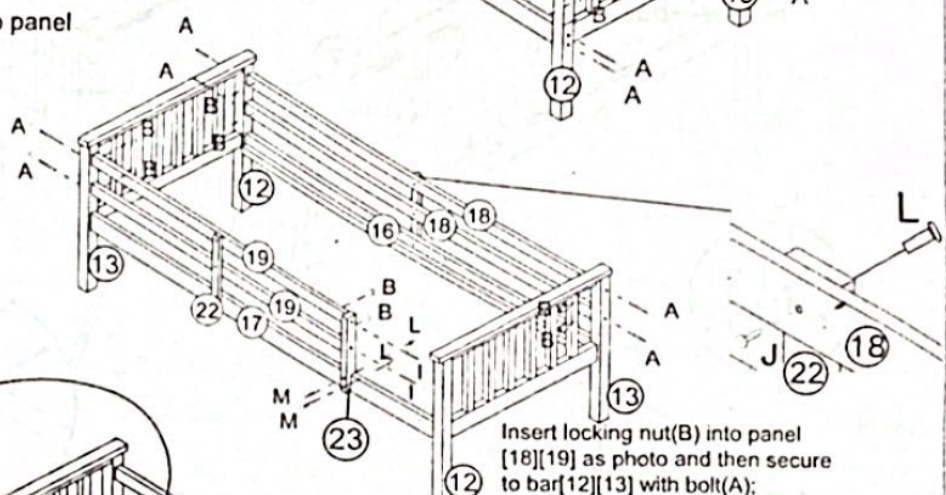
O	 $\text{O}4 \times 16 \text{mm}$	2
H	$\text{O}8 \text{mm}$ 	14
E	 $\text{O}4 \times 30 \text{mm}$	8
I	 $\text{M}6 \times 60 \text{mm}$	2
L	 $\text{M}6 \times 18 \text{mm}$	2



Insert locking nut(B) into panel [16][17] and then secure to bar [12][13] with bolt(A). Tighten with Allen key(D)



Insert dowel(C) into panel [18][19] as photo.



Insert locking nut(B) into panel [18][19] as photo and then secure to bar [12][13] with bolt(A);  
 Secure bar[23] to panel [17] with 2x bolt (M) and (L);  
 Secure bar[22] to panel [16][17][18][19] with 3x bolt(L)(J);  
 Secure bar[23] to panel [19] with 2x bolt(B)(I).

Secure panel[21] with 30x screw (E)

C		8
B		16
M		2
L		8

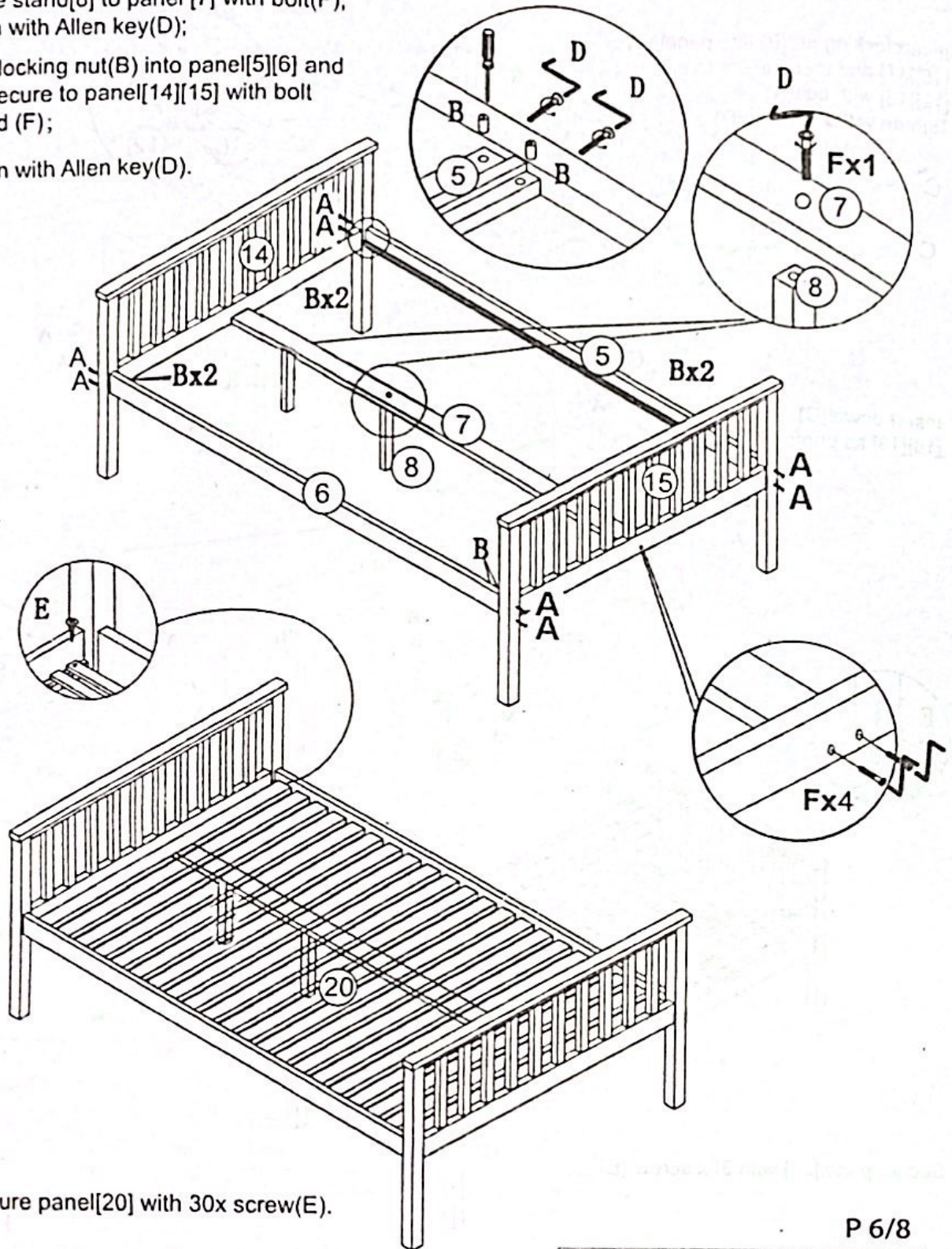
I		2
A		14
E		30
J		6



Secure stand[8] to panel [7] with bolt(F),  
tighten with Allen key(D);



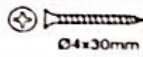

Insert locking nut(B) into panel[5][6] and  
then secure to panel[14][15] with bolt  
(A) and (F);

Tighten with Allen key(D).



Secure panel[20] with 30x screw(E).

P 6/8

A		M5x90mm	8
B			8
E		Ø4x30mm	30
F		M6x50mm	6



## RETURN / DAMAGE CLAIM INSTRUCTIONS

1. **DO NOT** discard of the box / original packaging.

In case a return is required, the item must be returned in original box. Without this your return will not be accepted.

2. Take a photo of the box markings.

A photo of the markings (text) on the box is required in case a part is needed for replacement. This helps our staff identify your product number to ensure you receive the correct parts.

3. Take a photo / Video of Damage (if applicable).

A photo /Video of the damage is always required to file a claim and get your replacement or refund processed quickly. Please make sure you have the box even if it is damaged.

4. Send us an email with the images requested.

Email us directly with the attached images, order number (SOXXXX) and a description of your claim.

Auckland / Waikato / BOP Branch: [sales@tsbliving.co.nz](mailto:sales@tsbliving.co.nz)

Christchurch Branch: [customersupport@tsbliving.co.nz](mailto:customersupport@tsbliving.co.nz)

Wellington Branch: [wellington@tsbliving.co.nz](mailto:wellington@tsbliving.co.nz)

[www.tsbliving.co.nz](http://www.tsbliving.co.nz)