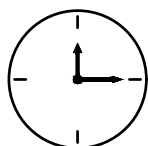
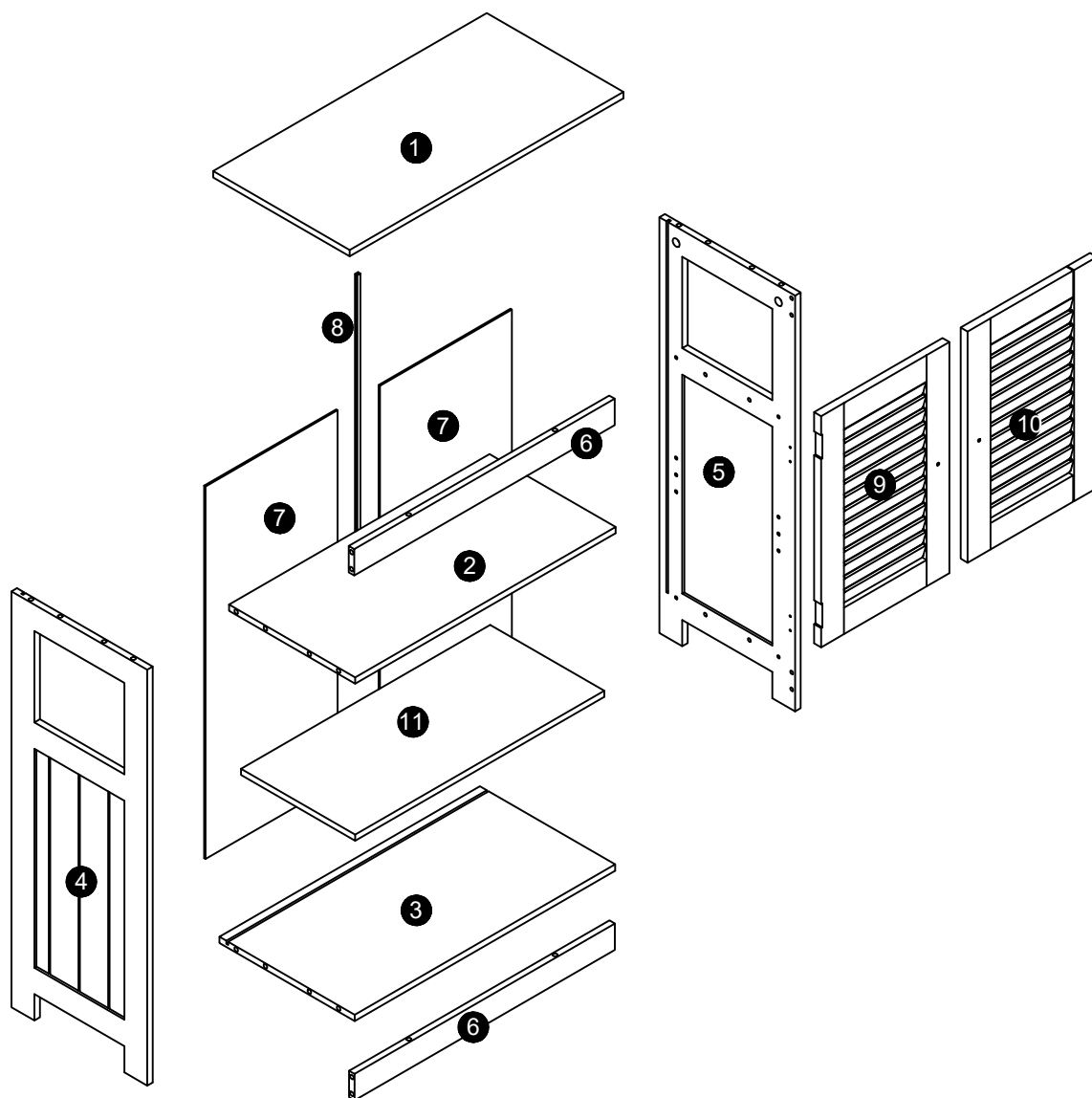
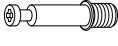


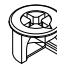
2 PERS.




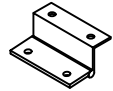
60 MIN




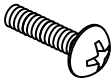
A	x 16
	
Ø6X35mm	


B	x 16
	
Ø15X9mm	

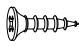
C	x 20
	
Ø6x30mm	


D	x 4
	


E	x 2
	


F	x 2
	
M4x16mm	


G	x 2
	

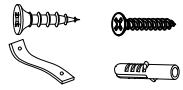
H	x 18
	
Ø3x12mm	

I	x 2
	
Ø3x14mm	

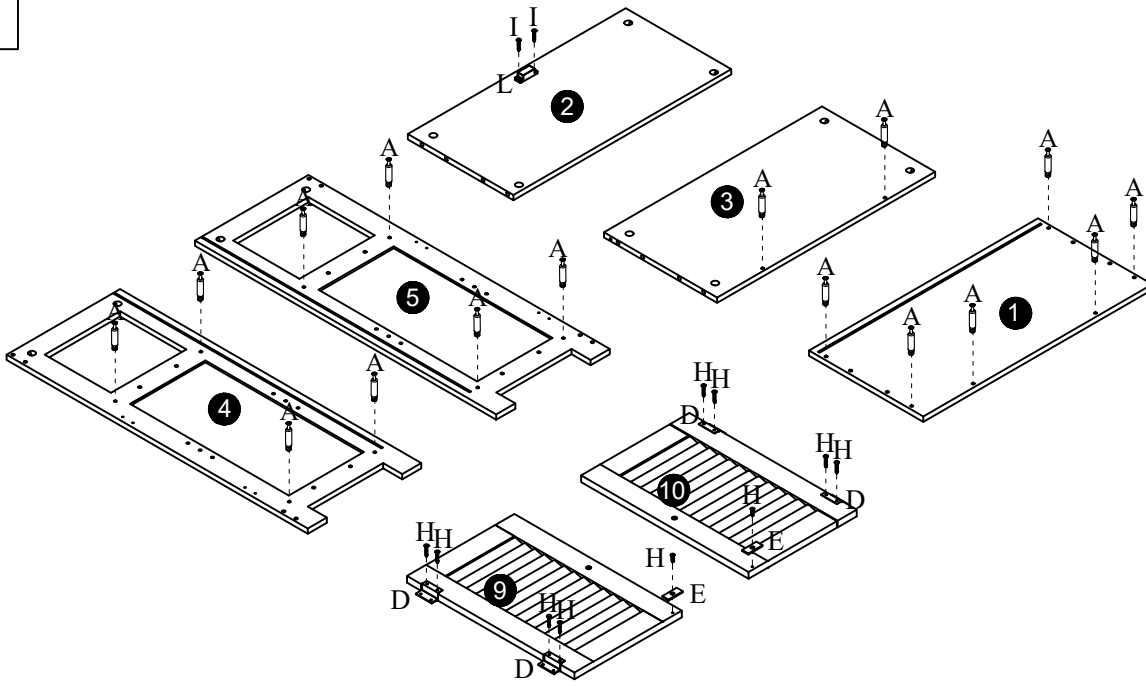
J	x 4
	


K	x 8
	

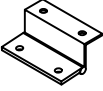
L	x 1
	


M	x 2
	

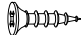
1

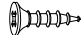



A	x 16
	
$\text{\O}6 \times 35 \text{mm}$	

D	x 4
	

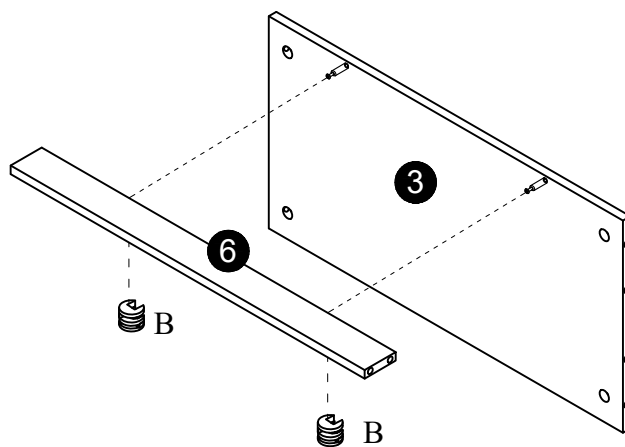
E	x 2
	


H	x 10
	
$\text{\O}3 \times 12 \text{mm}$	

I	x 2
	
$\text{\O}3 \times 14 \text{mm}$	

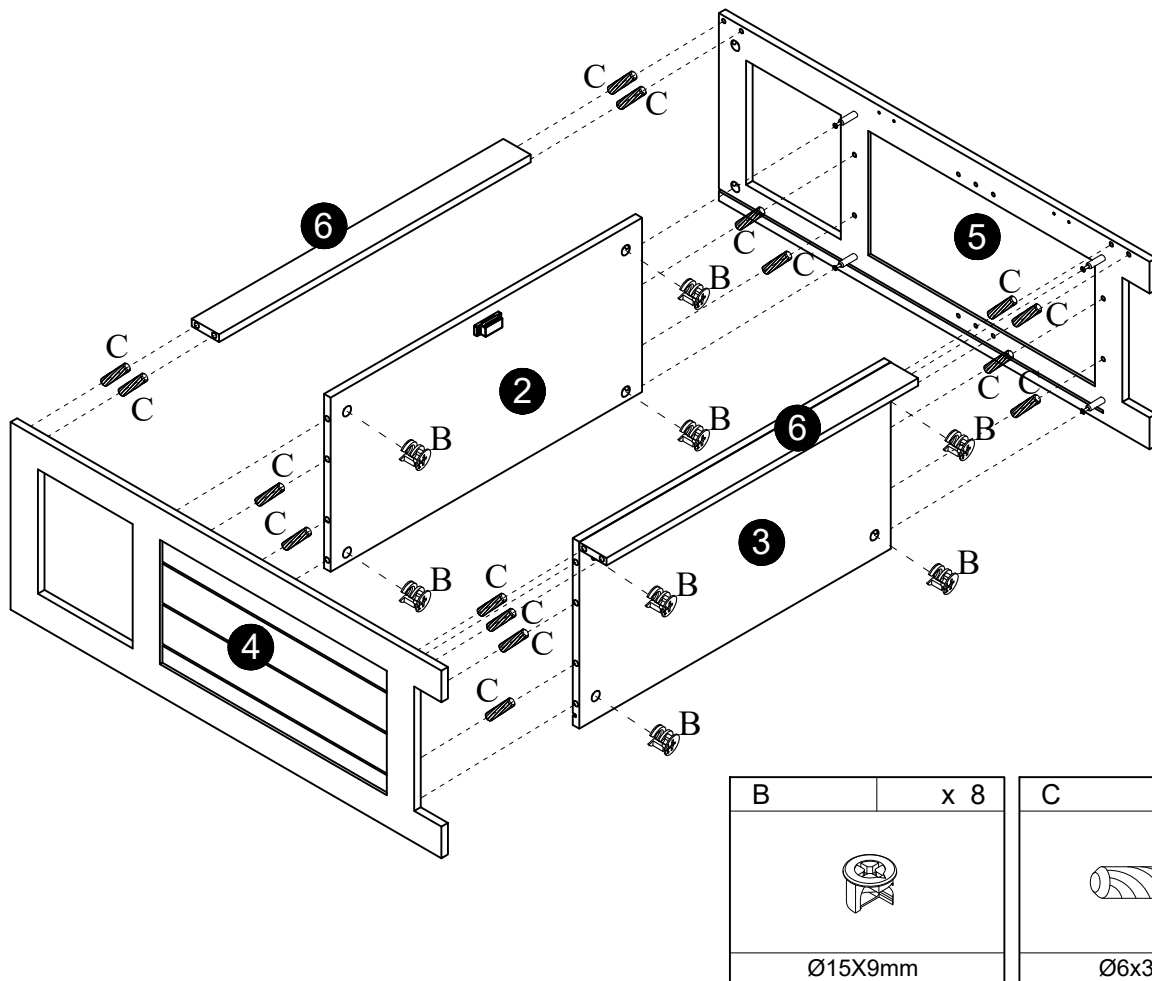
L	x 1
	

2

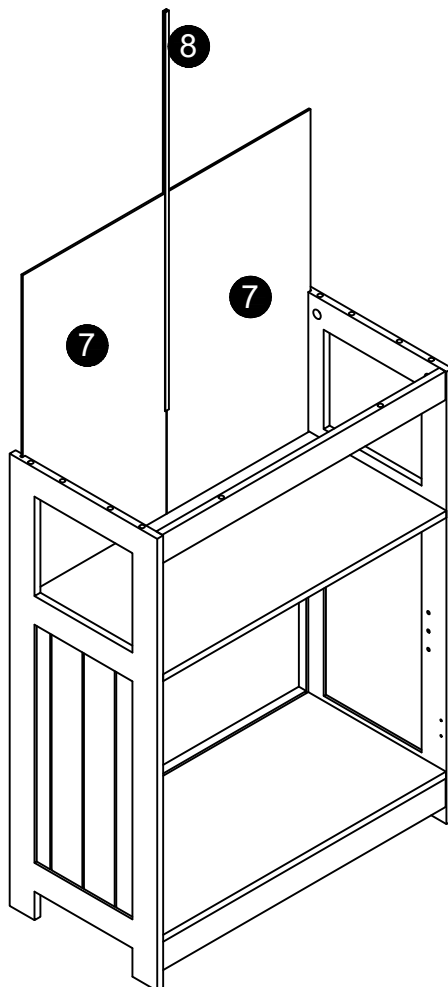


B	x 2
	
$\text{\O}15 \times 9 \text{mm}$	

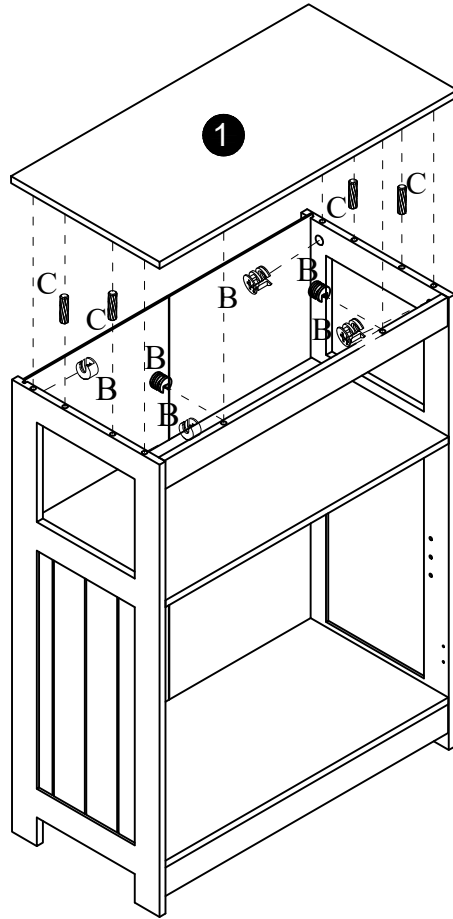
3





4



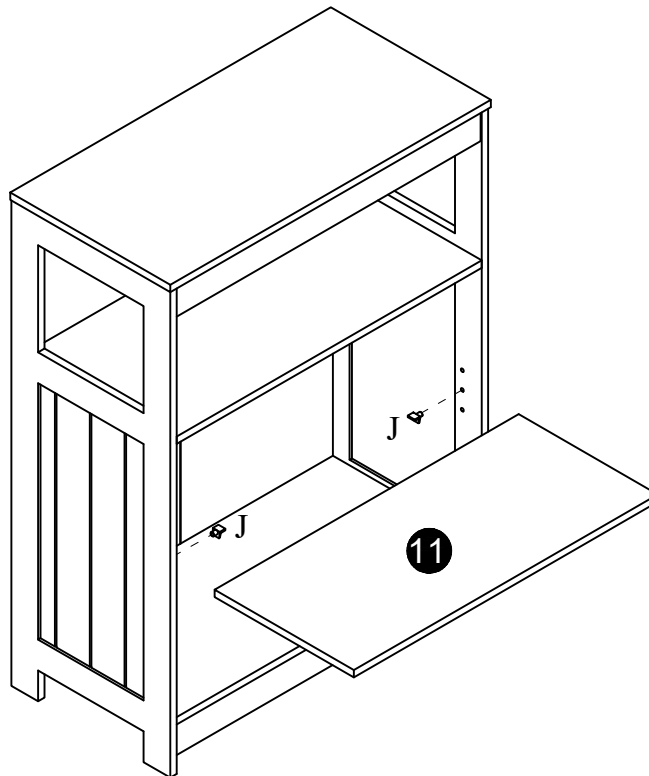
5




B	x 6
	
Ø15X9mm	

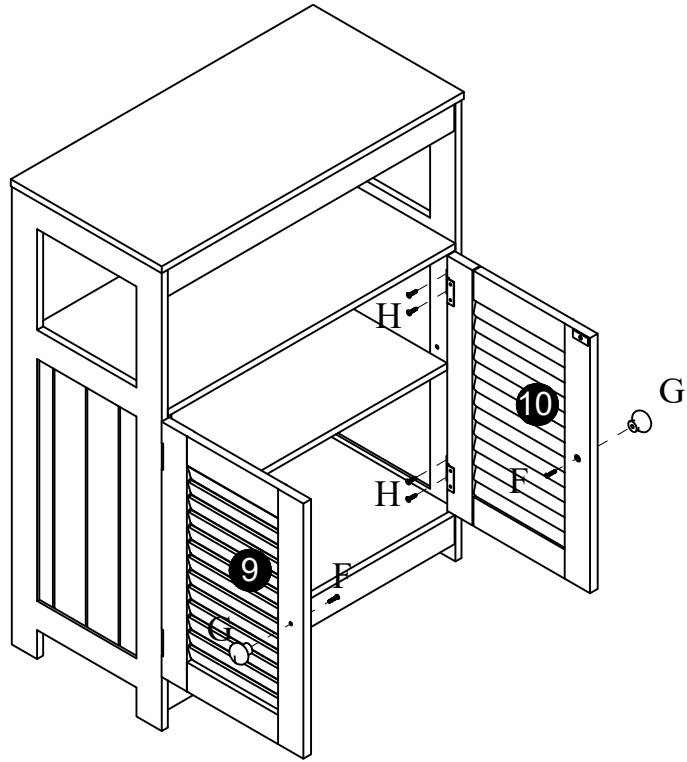
C	x 4
	
Ø6x30mm	

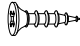
6

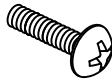



J	x 4
	

7

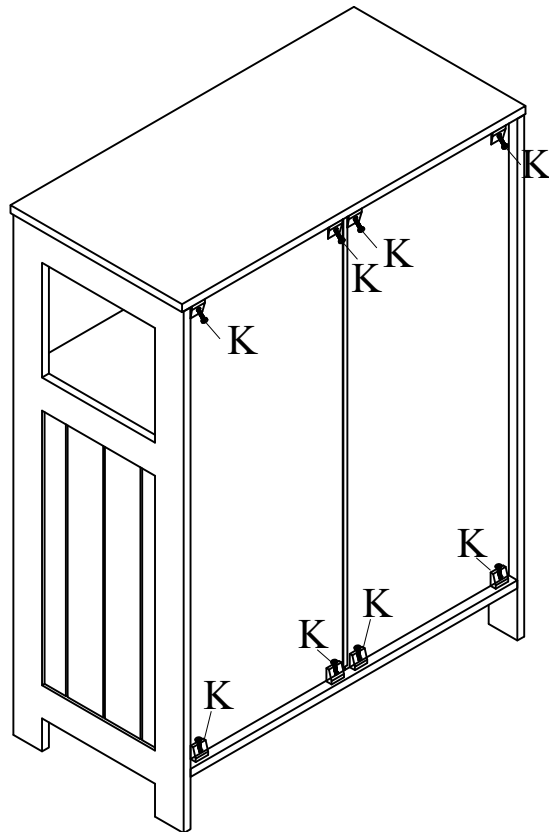



H	x 8
	
Ø3x12mm	

F	x 2
	
M4x16mm	

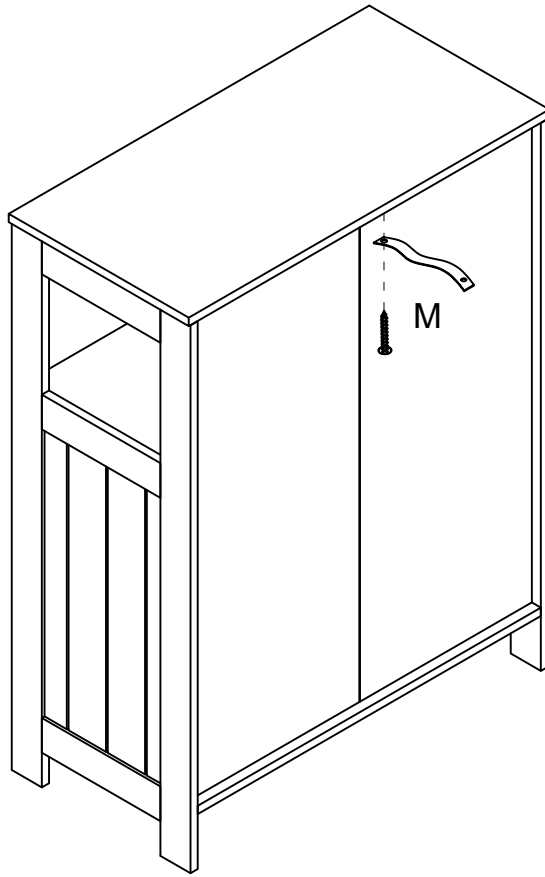
G	x 2
	


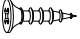
8



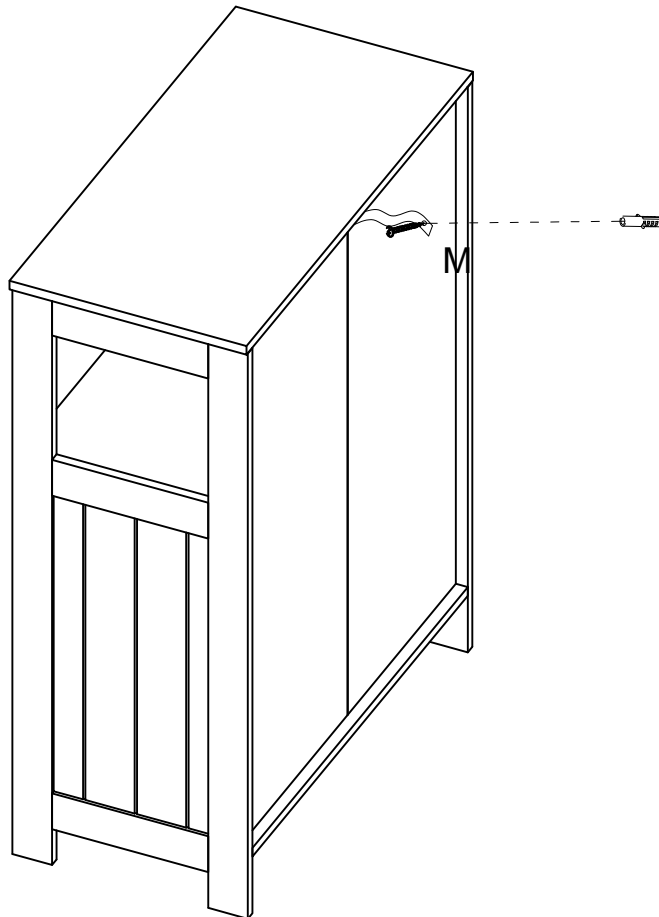
K	x 8
	

9



M	x 1
	

10



M	x 1
