

# CONSUMER'S MANUAL

Dear customer ,

Thank you for purchasing our product , the new generation sauna in the world .

**Before using , please read this consumer's manual carefully !**

This consumer's manual suitable for both ceramic heater sauna and carbon fibre heater sauna

## CATALOG

A. Preview	-----1
B. General safety rule	-----5
C. Circuit diagram	-----8
D. Installation	-----8
E. Operation	-----16
F. Tips for use	-----18
G. F . A . Q .	-----20
H. Maintenance	----- 21
I. Transportation	-----21
J. Limited Warranty	-----21
K. Appendix (CD player&Oxygen Ionize Install)	-----23

INSTALLATION ( Take 2 PERSON sauna room for example )

### A. Preview

**A.1 Please read the following instruction before using.**

#### **A.2 Operating Conditions:**

A.2.1 Temperature: 5°C-40°C

A.2.2 Humidity:  $\cong$  85%

A.2.3 Pressure: 700-1060 hpa

A.2.4 Power supply: AC ■120V  $\triangle$ 220V -240V

Frequency  $\triangle$ 50HZ $\pm$ 1 ■60HZ $\pm$ 1

■ : USA or Canada standard.

$\triangle$ : EU standard.

A.2.5 Do not install closer than 12.7MM(0.5 inches) to wall.

### A.3 Features:

- A.3.1 Wooden construction
- A.3.2 Digital microprocessor controlled
- A.3.3 Temperature adjustable from 20°C -60°C
- A.3.4 Adjustable dwell time from 0 to 60 minutes
- A.3.5 Digital temperature sensor
- A.3.6 Soft touch keypad
- A.3.7 Long-life ceramic heater or carbon fibre heater

Model No.	Specification	
	inch	mm
001 series	35.5 × 35.5 × 75	900 × 900 × 1900
002 series	47.5 × 39.5 × 75	1200 × 1000 × 1900
003 series	60 × 47.5 × 75	1500 × 1200 × 1900
004 series	71 × 47.5 × 75	1800 × 1200 × 1900
Corner Type series	60 × 25 × 48.5 × 25 × 60 × 75	1500 × 630 × 1230 × 630 × 1500 × 1900
005 series	79 × 53 × 75	2000 × 1350 × 1900

#### A.3.8 Specification (ceramic heater):

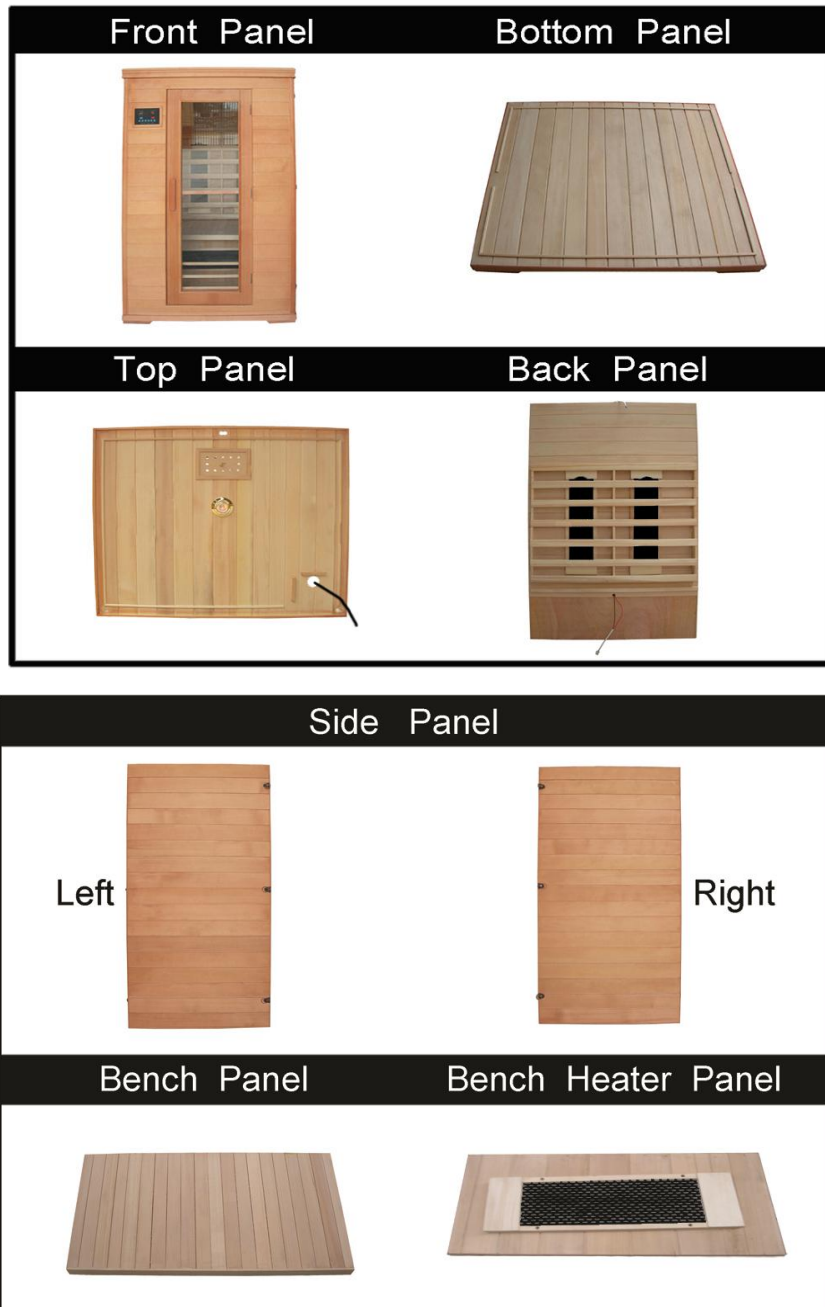
Model No.	Rated Voltage	Rated Frequency	Input Power
001 series	120V/220-240V	60Hz/50Hz	1400W
002 series	120V/220-240V	60Hz/50Hz	1750W
003 series	120V/220-240V	60Hz/50Hz	2100W
004 series	120V/220-240V	60Hz/50Hz	2400W
005 series	120V/220-240V	60Hz/50Hz	2700W
Corner Type series	120V/220-240V	60Hz/50Hz	2400W

#### (carbon fibre heater):

Model No.	Rated Voltage	Rated Frequency	Input Power
001 series	120V/220-240V	60Hz/50Hz	1200W
002 series	120V/220-240V	60Hz/50Hz	1650W
003 series	120V/220-240V	60Hz/50Hz	1900W
004 series	120V/220-240V	60Hz/50Hz	2100W
005 series	120V/220-240V	60Hz/50Hz	2350W
Corner Type series	120V/220-240V	60Hz/50Hz	1800W/2000W

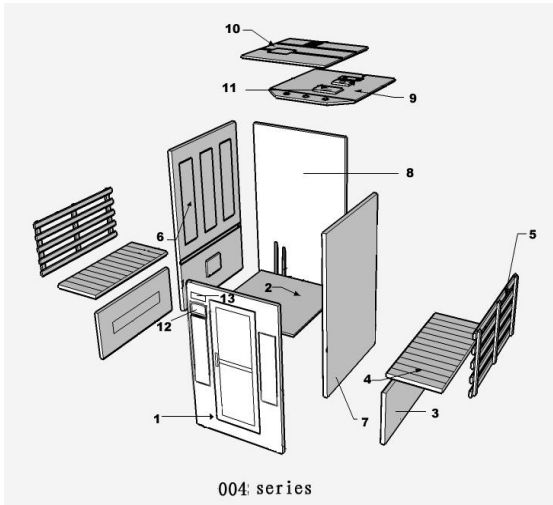
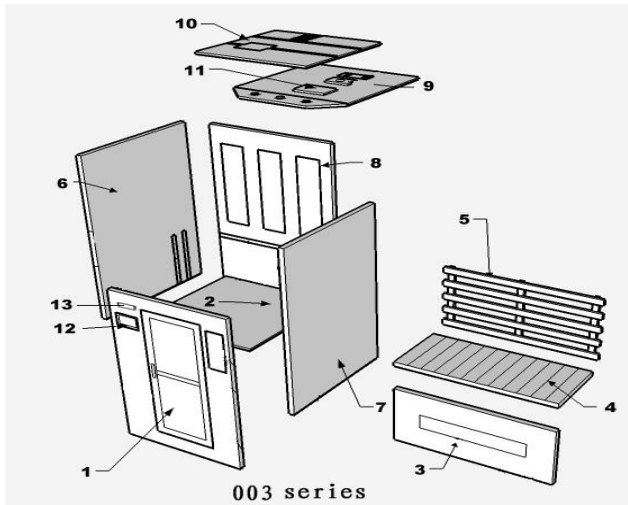
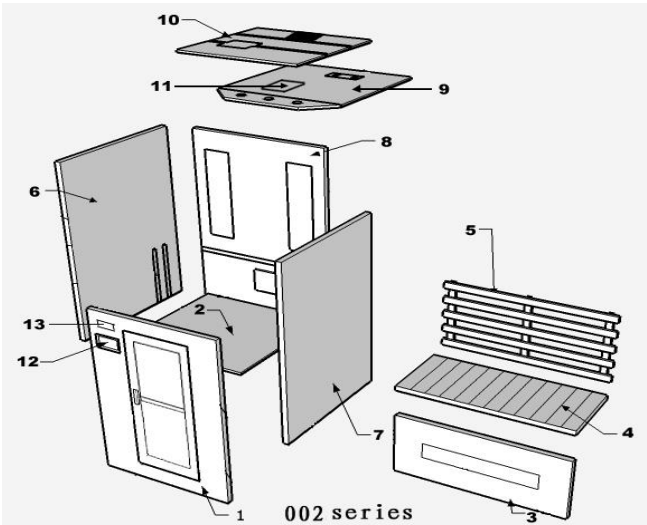
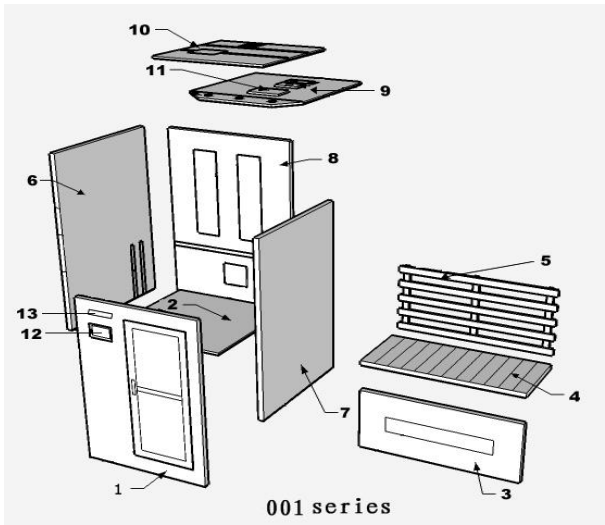
**ATTENTION: We just list our regular models on this manual, special models excepted.**

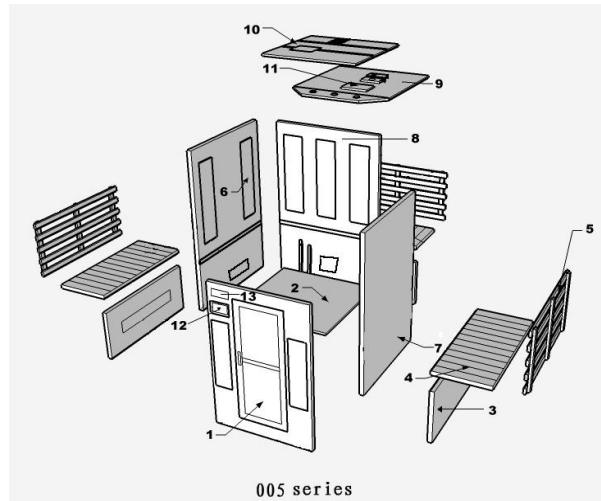
Below are pictures of individual panels for the 2-person Deluxe model. Other models vary



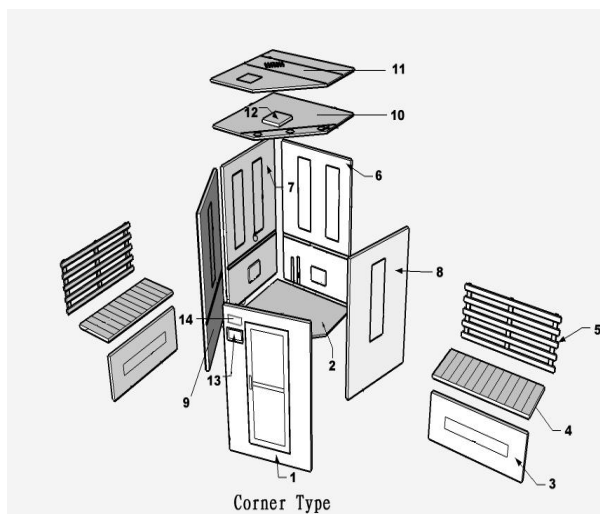
**WARNING!!** provided by the manufacturer must be installed by a qualified electrician only.

# A.4 Detail Drawing





1.Front panel. 2. Bottom. 3. Heater Bench. 4. Bench. 5. Bench back. 6. Left panel. 7. Right panel. 8. Back panel. 9. Ceiling panel. 10. Roof panel. 11. Circuit box.



1.Front panel. 2. Bottom 3. Heater Bench. 4. Bench. 5. Bench back. 6. Right back panel. 7. Left back panel. 8. Right side panel. 9. Left side panel 10. Ceiling panel. 11. Roof panel. 12. Circuit box.

**Instrument Required in Installation: Screwdriver provided in the screw bag.**

## B. General safety rule

**B.1 IT IS UNLAWFUL TO INSTALL THIS UNIT WITHOUT FIRST**

## OBTAINING A PERMIT FROM THE LOCAL ELECTRICAL INSPECTION AUTHORITY.

- B1.1 Warning: all wiring to the sauna heater and accessories shall be routed away from any direct radiation from the sauna heater.
- B1.2 Warning: any receptacle shall not be installed inside the heated room.
- B1.3 Warning: the sauna heater shall not be subjected to water spray and that shower heads shall not be installed above the sauna heaters.
- B1.4 Warning: No plumbing fixtures(taps, etc) are to be installed in the sauna room.
- B1.5 Warning: the door of the heated room should not include any locking or latching system, malfunction of which could cause entrapment inside the heated room.
- B1.6 Warning: the dry-bath room shall be provided with intended ventilation.

**B.2** Hypothermia occurs when the internal temperature of the body reaches a level several degrees above the normal body temperature of 98.60F.the symptoms of hypothermia include an increase in the internal temperature of the body, dizziness, lethargy, dromsiness, and fainting. The effects of hypothermia include:

- B.2.1 Failure to perceive heat;
- B.2.2 Failure to recognize the need to exit the room;
- B.2.3 Unawareness of impending hazard;
- B.2.4 Fetal damage in pregnant women;
- B.2.5 Physical inability to exit the room;
- B.2.6 Unconsciousness
- B.2.7 Warning-The use of alcohol, drugs, or medication is capable of greatly increasing the risk of fatal hypothermia.

### **B.3 Safety precautions**

- B.3.1 Do NOT dry clothes or leave towels in the sauna.
- B.3.2 Do NOT touch the heater tube with your finger or metal tools.
- B.3.3 Do NOT touch the light when it is on.
- B.3.4 Do NOT splash water or other liquid to the heating tube
- B.3.5 Do NOT use the sauna if you have any of the following conditions:
  - 1) Open wounds, eye diseases or serious burns.
  - 2) Eldly&weak people, especially those suffering from a disease. Pregnant women and infants are prohibited. Children over the age of 6 years may use the sauna under the supervision of adults.

3) Those with heat sensitivity, obesity, heart disease, blood pressure, circulatory system problems or diabetes should consult their doctor **before using**.

B.3.6 Do not place pets into the sauna.

B.3.7 Do not use after drinking excessive alcohol.

B.3.8 This appliance is not intended for use by persons (including children) with reduced physical, sensory or mental capabilities, or lack of experience and knowledge, unless they have been given supervision or instruction concerning use of the appliance by a person responsible for their safety.

B.3.9 Children should be supervised to ensure that they do not play with the appliance.

B.3.10 Be careful when using the appliance in places where there are combustible materials.

B.3.11 Do not apply to the same place for a long time.

B.3.12 Do not use in presence of an explosive atmosphere.

B.3.13 Be aware that heat may be conducted to combustible materials that are out of sight.

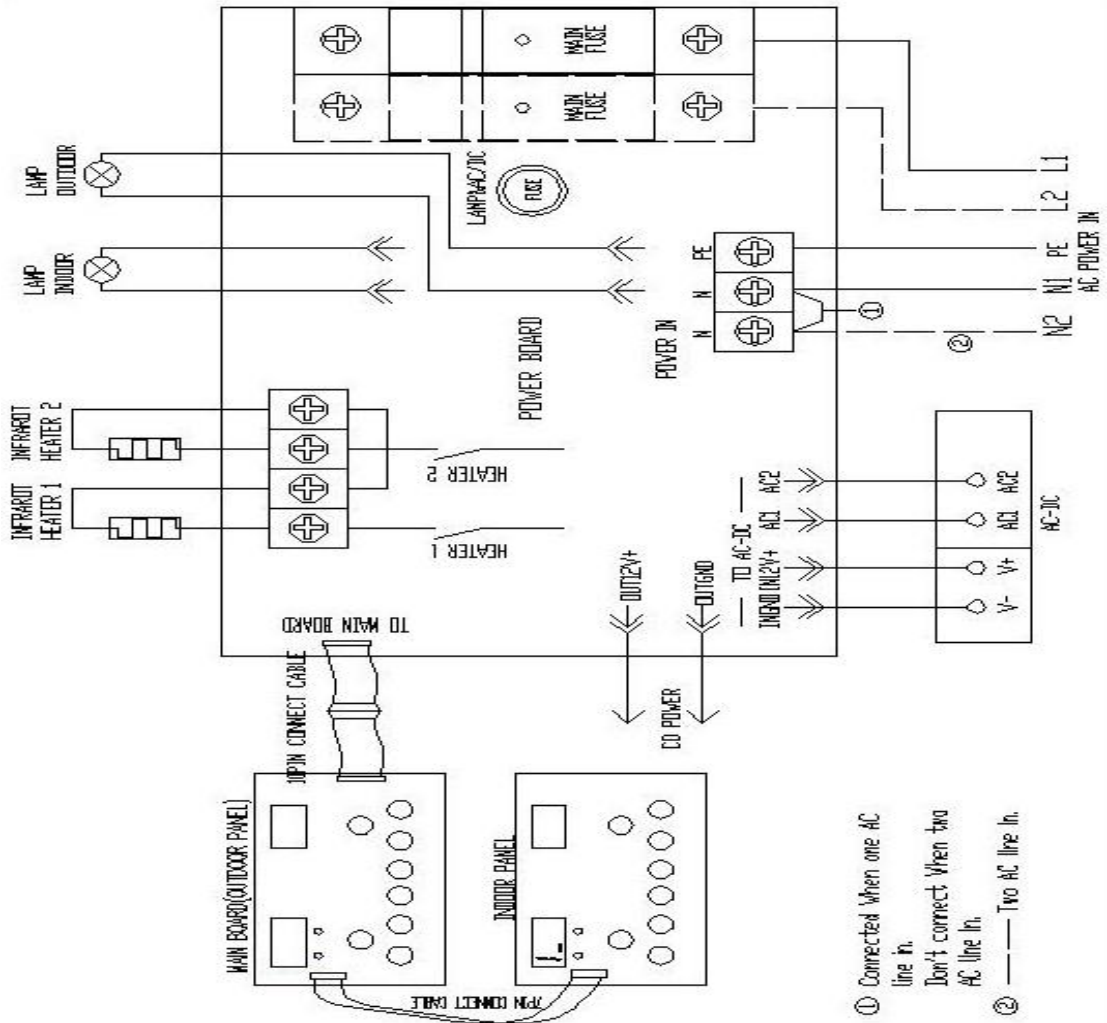
B.3.14 Place the appliance on its stand after use and allow it to cool down before storage.

B.3.15 Do not leave the appliance unattended when it is switched on.

Attention: If the supply cord is damaged, it must be replaced by a special cord or assembly available from the manufacturer or its service agent.



## C. Circuit diagram



## D. Installation

### D.1 Attention the following before installation!

- D.1.1 Do not share the same plug with other appliances.
- D.1.2 Position it on a flat level surface.
- D.1.3 Do not splash the exterior with water. If the floor is damp, install a floor separator to keep the sauna dry & high.
- D.1.4 Do not store the flammable objects or chemical substances near the sauna.

# INSTALLATION DIAGRAM(buckle)



## INSTALLATION DIAGRAM(Inside buckle)

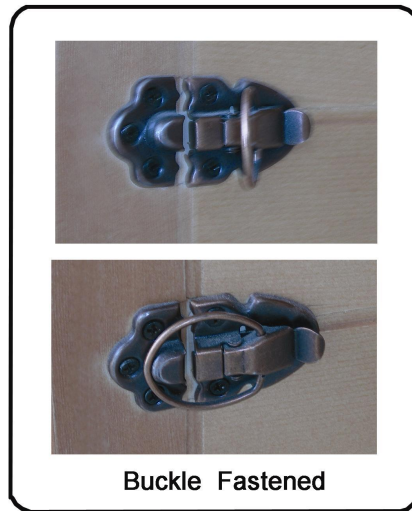


### D.2 Attention the following during installation !

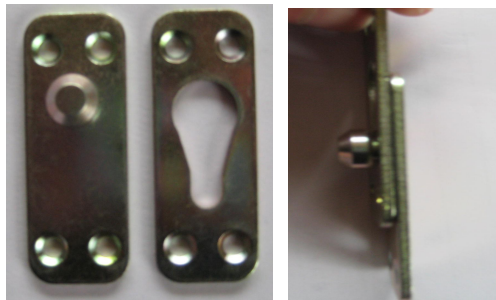
D.2.1 Place the Bottom Panel on the ground and make sure the “FRONT” sticker is facing up.



## D.2.2 Buckle Fastened



## Inside Bulcke Fastened(Selected Use)



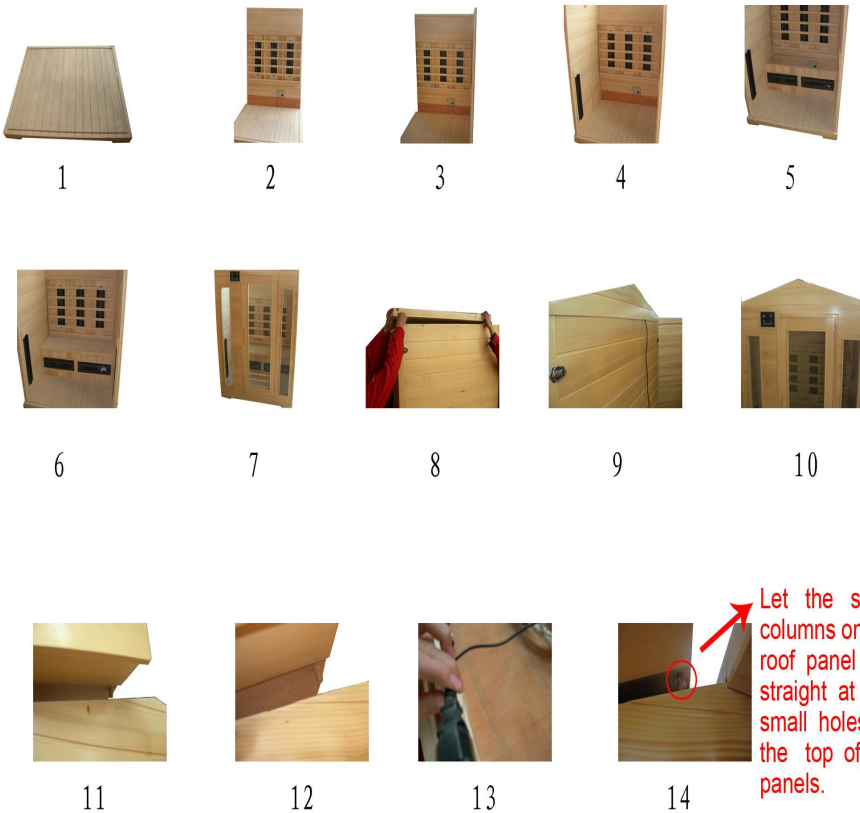
D.2.3 Plug in the Bench Heater Cable to the outlet located on the Back Panel. Make sure connection is secure.



D.2.4 The Top Panel must be positioned in the right corner. Connect the plugs for heater through the holes around the Top Panel.



### D.3 Outdoor Sauna Room

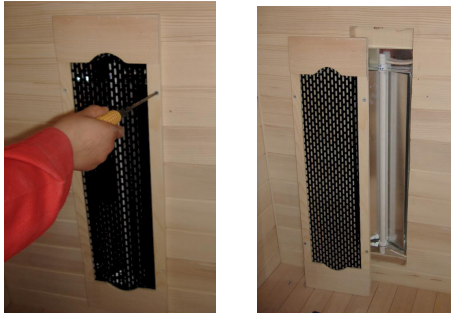


## D.4 How to replace the heater.

**warning: only qualified person can replace the heater**

### D.4.1 Ceramic Heater:

D.4.1.1 Take off the cover of heater.



D.4.1.2 Take off the ceramic covers of tube and remove the connectors from two ends of the tube.



D.4.1.3 Take off the clip on the bottom part of heater



D.4.1.4 Replace the heater.



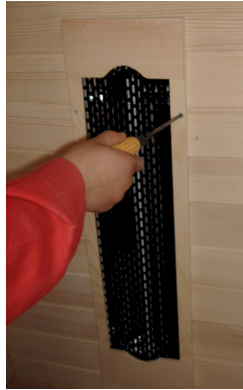
D.4.1.5 connect the two connectors to two ends of tube and fasten the ceramic covers of two ends



D.4.1.6 Install the clip on the bottom part of heater cover.

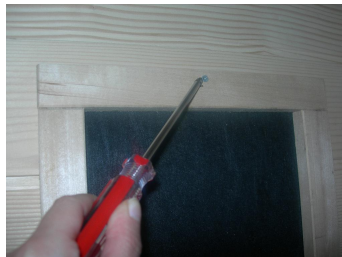


D.4.1.7. install the heater cover

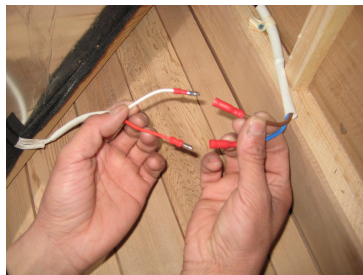


## D.4.2 Carbon fibre heater:

D.4.2.1. Untighten the screws on the carbon fibre heater board and take off the heater board carefully..

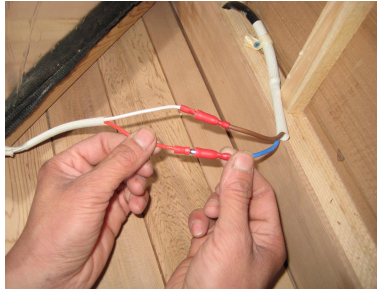


D.4.2.2. Unplug the connector between the heater board and sauna room





D.4.2.3. Replace the carbon fibre heater and then plug the connector between the heater board and sauna room.



D.4.2.4. Tighten the screws on the carbon fibre heater board.



## E. Operation

**E.1** In use of sauna room, please point the temperature sensor vertical downward, as shown in the figure below to ensure the accuracy of the temperature display on control panel.

### 1. Original shape

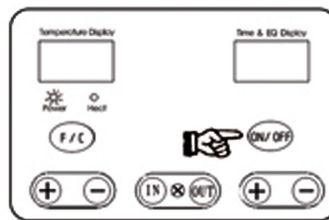


## 2.Vertical downward shape

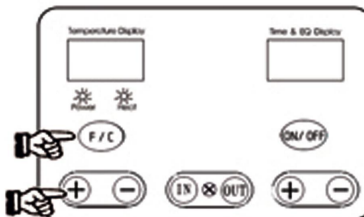


**E.2** Plug the power cord into the wall outlet.

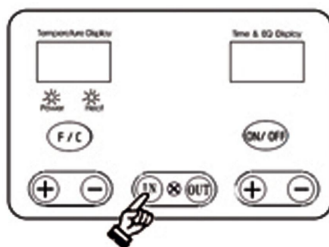
**E.3** Press the key ON/OFF. The POWER indicator turns on. TEMPERATURE DISPLAY indicates the temperature in the room. Press the key ON/OFF again. The POWER indicator turns off.



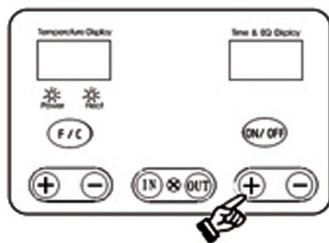
**E.4** Press the key F/C , the heat indicator turns on. The sauna will automatically start by pressing the key + or - on the left to adjust the temperature.



**E.5** Press the key IN or OUT to turn on the light in or out of the room. Press them again, the lights will turn off.



**E.6** Press the key + or – on the right to adjust the time . If the time indicates 00, the room stops heating.



**E.7** Open the ceiling vent to allow a flow of fresh if required.

## **F. Tips for use**

**F.1** Set the temperature to a comfortable level, normally 40 to 50°C.

**F.2** Allow approximately 8-15 minutes for the sauna to warm up.

**F.3** Perspiration will begin within 6 to 15 minutes after stepping into the unit. We recommend a sauna session does not exceed 30 minutes.

**F.4** When the temperature reaches the level set on the thermostat, the heaters will turn off and on periodically to maintain the desired temperature level inside the sauna.

- F.5** The front door/window/ceiling vent can be opened at any time to allow fresh air into the room.
- F.6** Drink plenty of water before, during and after a session to replenish lost fluids from the body.
- F.7** Taking a hot shower or bath before the sauna session will further accelerate perspiration. However, do dry off thoroughly before entering, for excessive water will stain or warp the wood. A shower latter is refreshing.
- F.8** To absorb perspiration and keep the sauna tidy, place a towel on the bench and floor of the sauna. Keep one towel handy to wipe out sweat from the body.
- F.9** Utilizing the sauna's heat therapy, put oil into your hair and wrap it with towel. Latter, rinse your hair thoroughly.
- F.10** Massage the affected areas to relieve sore and tense muscles.
- F.11** Shaving your face or legs with a razor while profusely sweating in a sauna yields an incredibly smooth without the use of gels or foams.
- F.12** Do not eat at least an hour before your sauna session. It is better to go in a sauna with An empty stomach. Do not use the sauna immediately after the strenuous exercise.
- F.13** b At the first sign of cold or flu, increasing your sauna sessions may be eneficial in boosting your immune system and decreasing the reproductive rate of viruses.
- F.14** Any area you want to achieve a deep heating should be moved close to the heaters.
- F.15** After the session is over, do not immediately getting out. Let the body sweat a little more. Then, take a warm shower and finish it off with a cold shower to cool off completely.
- F.16** Consult your physician for the proper treatment or any other conditions.

## G. Frequently Asked Questions

### MAKING SURE SHUT OFF ELECTRICITY BEFORE YOU DOING IT.

If the supply cord is damaged, it must be replaced by the manufacturer, its service agent or similarly qualified persons in order to avoid a hazard.

**G.1** The control panel does not work.

	Problem	Explanation	Solution
1.	The power indicator isn't on	The fuse is broken or the sauna is not plugged in	Change the fuse or the plug in the sauna
2.	The soft keys do not work	Unplug sauna, wait a minute or plug back into power source.	

**G.2** The light doesn't work.

	Problem	Solution
1.	The bulb filament is burned out.	Change the bulb ( $\leq 15$ watt)

**G.3** The heater tube does not heat.

**warning: only qualified person can replace or repair the heater**

	Problems	Explanation	Solution
1	Part of the heater does warm up	The heater is defective	Replace with a new heater
		Part of the heater is not connected well or burned out	Connect them tightly
2	The entire	The relay is damaged	Replace the relay

	room does not heat	The control panel is damaged	Replace the control panel
		The plug is not plugged in correctly	Re-plug it
3	Bench heater does not heat	It is not connected tightly into the outlet on the back panel	Connected tightly No such Construction used.

## H. Maintenance

**H.1** Clean the sauna room with a soft wet cloth. NEVER use petrol, alcohol, benzene or any other such chemical to clean the unit.

**H.2** In hospital or public use areas the sauna can be detoxified with ultrasonic equipment.

## I. Transportation and storage

**I.1** Avoid exposure to rain, snow or strong collisions during transport.

**I.2** Do not store in damp environments.

## J. Limited warranty

We warrant the sauna to be free of defects in material and workmanship.

- |                          |          |
|--------------------------|----------|
| 1) Heaters               | 18months |
| 2) Workmanship           | 18months |
| 3) Electrical Components | 18months |
| 4) Radio/CD player       | 18months |

This warranty extends only to the original retail purchaser of the sauna and terminates upon transfer of ownership. Freight charges to and from the customer are the responsibility of the customer. This includes freight charges for parts shipped to enable the services of your sauna.

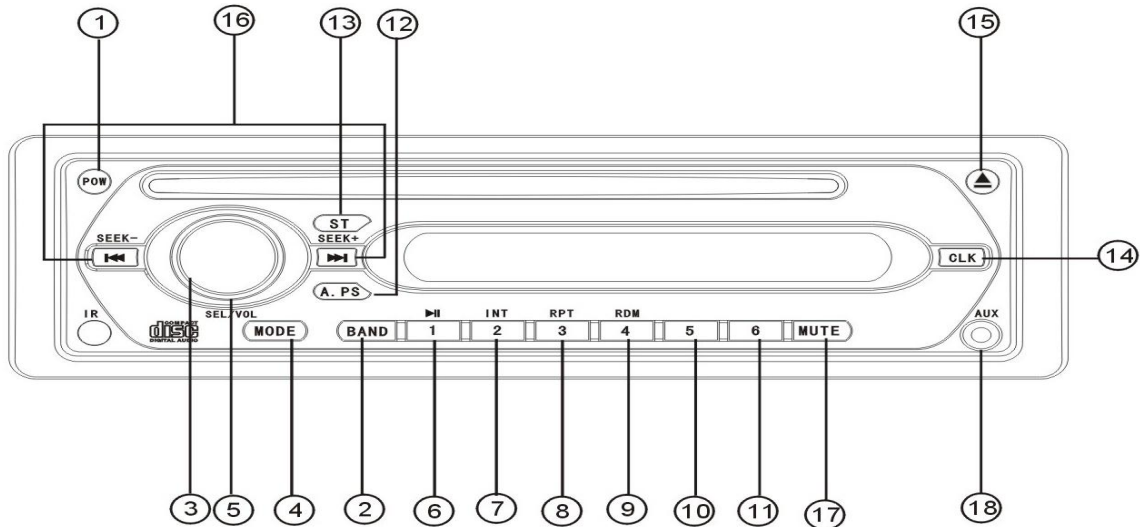
This warranty is void if the sauna has been altered, misused, or abused. Such instances shall include operation or maintenance of the sauna in deviation to the published instructions. The warranty extends only to the manufacturing defects and does not cover any damages resulting from mishandling of the product by the owner.

We shall not be liable for the loss of use of the sauna or other incidental or consequential damages. Under no circumstances shall we or any of its representatives be held liable for injury to any persons or damages to any properties. Some states do not allow exclusion or limitation of incidental or consequential damages, so the above limitations or exclusions may not apply to you. This warranty gives you specific legal rights, and you may also have other rights that vary from state to state. Specifications are subject to change without notice.

For your record, please complete the following information. You need to refer to these information when calling the manufacturer for customer service.	
Date of purchase	
Date of delivery	
Model number	
Serial number	
Dealer information (name & phone)	

## K . Appendix:

### K.1 CD Player Installation



1. POWER BUTTON: Press it to start the power and hold it to turn it off.
2. BAND BUTTON: Press it for FM brand (FM1, FM2, FM3) and AM brand (AM1 & AM2).
3. “VOL+ AND VOL-” For Volume adjustment.
4. MODE BUTTON: CD/RADIO/AUX INTERCHANGE
5. SEL BUTTON: MULTIFUNCTIONAL BUTTON, Press it once for bass, twice for treble, three times for balance (volume balance for the left and right speakers). Hold the sel button to select the mode of music with “DSP OFF” displayed on the LCD, then press “VOL+, VOL-” to select pop, rock, classic, etc.
6. 1/Pause button: Radio (FM/AM) memory/pause.
7. 2/INT button: Radio (FM/AM) memory/browse.
8. 3/RPT button: Radio (FM/AM) memory/repeat play.
9. 4/RDM button: Radio (FM/AM) memory/random play.
10. 5 button: Radio (FM/AM) memory.
11. 6 button: Radio (FM/AM) memory.
12. A./PS button: Auto radio preset channel.
13. ST button: Radio stereo/mono.
14. CLK button: Press it once to display time hold it three seconds to flash out the time, then turn seek+ to adjust minute, seek- to adjust hour.
15. Play/Open button.
16. “Seek+, Seek-” button: On radio mode, press it for manual station search, hold it for



auto station search on play mode, press it for track selection, hold it for fast-forward and fast-backward.

17. MUTE BUTTON: MUTE ON/OFF.

18. AUX: AUXINPUT.

Slide the CD-player into the slot provided on front panel.



## K.2 Oxygen Ionizer Installation



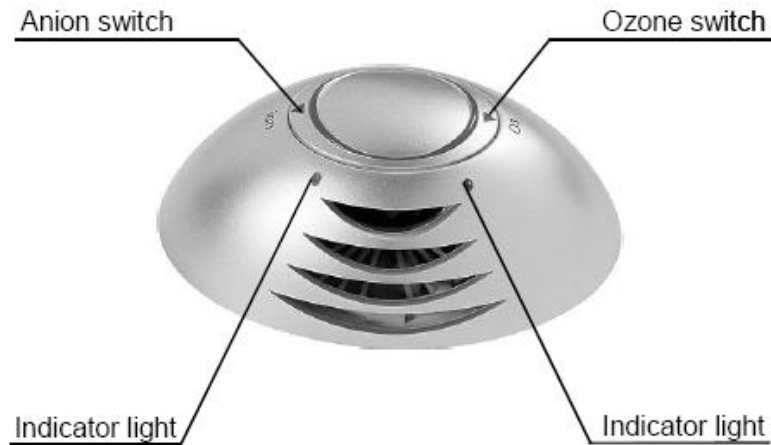
installating



plug the power

K.2.1 Press the ion button: it extremely purifies the air and removes toxic substances including the dust and odors mold

K2.2 Press the ozone button: ozone may kill virus, and will be deoxidized into oxygen in the end without secondary pollution, which the chemical agents can not achieve



### SPECIFICATION

MODE	201B
OZONE OUTPUT	0.8mg/h
RATED VOLTAGE	DC-12V
POWER CONSUMPTION	5 watt
DIMENSION	12×9×17.5
N-ION DENSITY	>100×10 <sup>4</sup> 个/cm <sup>3</sup>

### Operating Instruction

Anion and ozone can only work separately; when the ozone starts to work the anion will stop; after about 15 minutes working the ozone will stop and turn the anion function automatically

### BRIEF INTROUCTION

#### Produce Active Oxygen

The negative ion generated by ionization of high voltage in the air

is also called Active Oxygen

### **Clear air**

Anions of negative charge can neutralize with the soot and dust of positive charge floating in air resulting in the natural subsidence of them

### **Eliminate Peculiar Smells**

The anion can be absorbed easily by various organisms which will charge their structures or transfer their energy so as to elimination the peculiar smells and germs

### **Reduce radiation**

Anions of negative charge can neutralize with the monitor of positive charge so as to reduce the radiation and protect sight

### **Improve pulmonary function**

With the anions being absorbed, lungs' absorption of oxygen will increase by 20% and the exhaustion of carbon dioxide by 15% so to improve the blood circle and pulmonary function

### **Prevent air conditioner disease**

Improve body reaction capacity and mobilize the reticular inner skin function as well as promote body immunity

### **Ozone disinfection**

We use the sterilization and disinfection of ozone without any second pollution or side effect as well as a timer installed in the item

### **Aroma therapy function**

We equip with an aromatherapy which is available for kinds of in the market to release the scent slowly and keep it long time

## **K.3 FAQ for CD player**

Problems	Possible causes	Remedies
The light doesn't work	The fuse is broken	Change the fuse on back of CD
Plate can't be put in or taken out	Plate is in the CD	Take out the plate and put in
	Turn over the plate to another side	The plate with print design side face up

	Magnetic head is dirty or the plate has some flaws	Clean the magnetic head or change a new plate
	Temperature is too high	Renew the temperature to normal level
	Condensation	Stop the sauna for one hour and try again
No voice	Volume of sound in the lowest point	Adjust the volume as requirement
	The cord is not joined well	Join it well
Plate can be put in or taken out, but no voice	The rear plug is not joined tightly	Plug it tightly
Sound only Comes from One speaker	Check to see if the sound balance is set to one side	Move the balance
The control push-button is not available	Too noisy, the microprocessors can't work normally	The control panel is not fixed well
The voice is jumping	The angle of installation beyond 30 degree	Fix again till the suitable position
	Magnetic head is dirty or the plate has some flaws	Clean the magnetic head or change a new plate
The radio doesn't work and can't auto select wave band	The wire is not connected well	Connect the wire well
	The signal is too weak	Select the wave band by yourself

## K.4 Operation of New Style Control Panel (selected use)

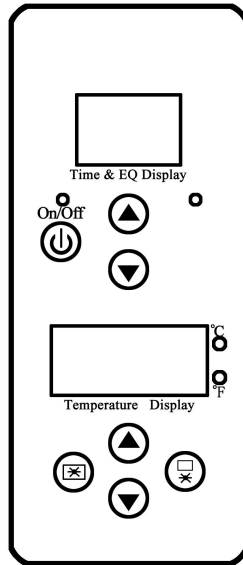
### K.4.1 Plug the power.

Plug the power cord into the wall outlet.

### K.4.2 Turn the key ON/OFF.

Press the key ON/OFF. The Power indicator turns on.

The Temperature Display indicates the real temperature of the room. Press the key ON/OFF again. The POWER indicator turns off.



Exterior panel

### K.4.3 Adjust the temperature.

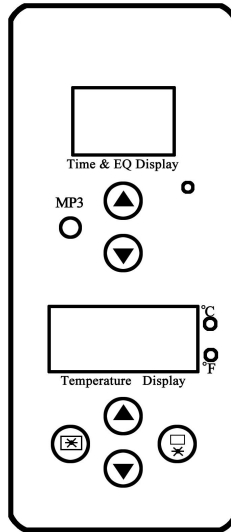
Press the key  $\triangle$  or  $\nabla$  under the temperature display to adjust the temperature. It changes in  $10^{\circ}\text{F}$  or  $5^{\circ}\text{C}$  by each press. The setted temperature will twinkle for 15seconds before returning to the room temperature. Press the key  $\triangle$  and  $\nabla$  together for changing to show from Fahrenheit to Celsius . The highest temperature we can set is  $150^{\circ}\text{F}$  or  $65^{\circ}\text{C}$ , the lowest temperature we should set is more than  $100^{\circ}\text{F}$  or  $40^{\circ}\text{C}$ .

### K.4.4 Adjust the time.

Press the key  $\triangle$  or  $\nabla$  under the Time & EQ display to adjust the time. It changes in 5 minutes for each press. The adjusting time scope is from 5 minutes to 60 minutes.

### K.4.5 Turn on/off the light.

Press the key left or right under the Temperature Display to turn on the light in or out of the room. Press them again, the lights will turn off.



Interior panel

#### K.4.6 Interior Panel

The function of inside panel is almost same with outside panel, the only one difference is just on the inside panel there is a hole for plugging MP3 instead of a power switch . If plug MP3, the music of it can be spreaded out through the speakers of the sauna.

#### K.4.7 Long-time working

If you want the sauna works without time's limit , you can press the key On/Off for 8 seconds, then the display will show 【— —】 instead of any temperature number. Press it again for 8 seconds, it will cancel the long-time heating.

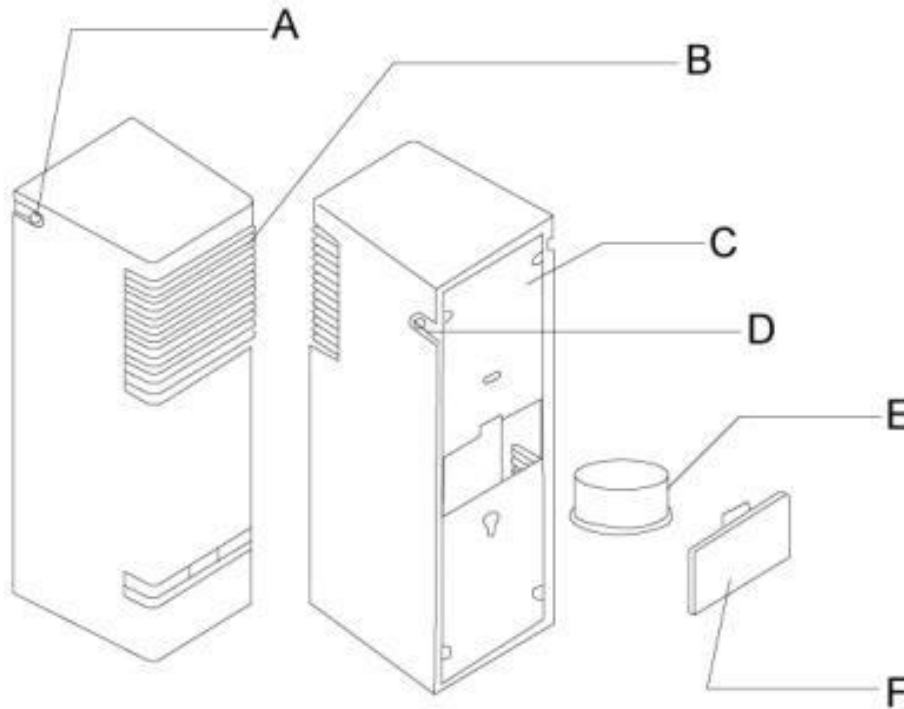
#### K.4.8 Pre-establish time for use.

Press the key  $\triangle$   $\nabla$  under Time&EQ Display together when the power is off ,then the display will show the last time's pre-established time ,then press  $\triangle$  or  $\nabla$  to set the hour you want to pre-establish .After 5seconds ,it will be off in the display, but the time is memorized. It will automatically start to work when it arrives the time you have pre-established. It can be pre-established for 36 hours--1 hour before for use.

#### K.4.9 Open the ceiling vent to allow a flow of fresh if required.

## K.5 Oxygen Ionizer (selected use)

### Dissection drawing



A. Power connection B. Function indicator lights C. Back cover  
D. Power/function switch E. Fragrance box F. Fragrance cover

### How to use?

1. Open the fragrance cover(C), load the fragrance box and close the cover.
2. Connect the unit to the power supply.
3. Press the power switch(A) to start.
4. Press the power/function change switch, when the green indicator light is on it is generating negative ions, when red light is lit; it is in the fragrance only mode.



## **1 Key Functions:**

1 **MODE** (Programme mode): Press the button, the program switches between radio (tuner)> CD> USB (MP3)> CD> Radio (Tuner), each function is shown in the display.

2 **MO/ST** : Press the button when the radio is on, to switch between mono and stereo.

3 **TUN-**: When the radio is on, press the button and hold it for 3 seconds, your radio will automatically search for stations from a higher to a lower frequency, press the button in short intervals, you can search the station manually.

4 **TUN+**: When the radio is on, press the button and hold it for 3 seconds, your radio will automatically search for stations from a lower frequency to a higher, press the button in short intervals, you can search the station manually.

5 **PROG / MEM** (program and save): Press the button when the radio is on, then appear 2 digital numbers (transmitter frequency) on the left side of the display. Press TUN+ or TUN- to set your transmitter and then PROG / MEM to save it.

Press the same button when CD / USB are on, your device will switch to the programming and memory function.

Press the button to adjust the time when the unit is off

6 **MUTE** (mute switch): Press the button to turn off all sound while the unit is on.

7 **VOL+**: Press the button to increase the volume when the unit is on.

8 **VOL-**: Press the button to decrease the volume when the unit is on.

9 **STOP**: Press the button to stop playing the CD / USB function

10 **PLAY / PAUSE**: to play or pause the CD / USB function

11 **FAST BACKWARD**: to fast backwards when CD / USB are on

12 **FAST FORWARD**: to fast forward when CD / USB are on



13 **NEXT:** Press the button to select a follow-up title within the CD / USB function

14 **PREVIOUS:** Press the button to select a previous title within the CD / USB function

15 **REPEAT:** In the CD / USB function, press the button once to repeat one song and 2 times to repeat all tracks

16 **EQ:** Press the button to select sound effects.

17 **Power:** Turn on or turn off the CD player, when the red light of this button is on, the CD player is off, when the red light of this button is off, the CD player is on.

## 2 instructions for the remote control

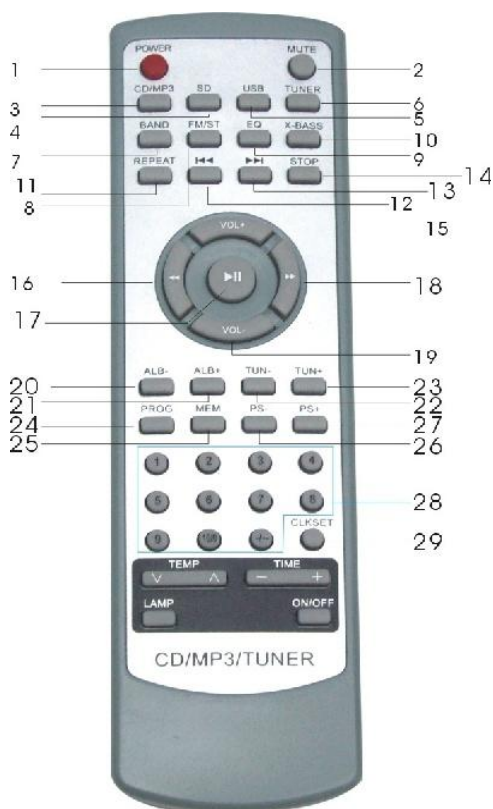


FIGURE 2

1) **Power:** Turn on or turn off of the CD player (the sauna should be on)

2) **MUTE:** Press the button to mute the device

3) **CD/MP3:** Press the button to play CD or MP3

5) **USB:** Press the button to play music over a MP3-Player/USB-Stick

6) **TUNER:** Press the button to turn on the radio

9) **EQ:** Press the EQ button to select the sound effects.

10) **X-BASS:** Press the button to select the optimal bass function.

11) **REPEAT:** In the CD / USB function, press the button once to repeat one song and 2 times to repeat all tracks.

12) **NEXT:** Press the button to select a follow-up title within the CD / USB function

13) **PREVIOUS:** Press the button to select a previous title within the CD / USB function

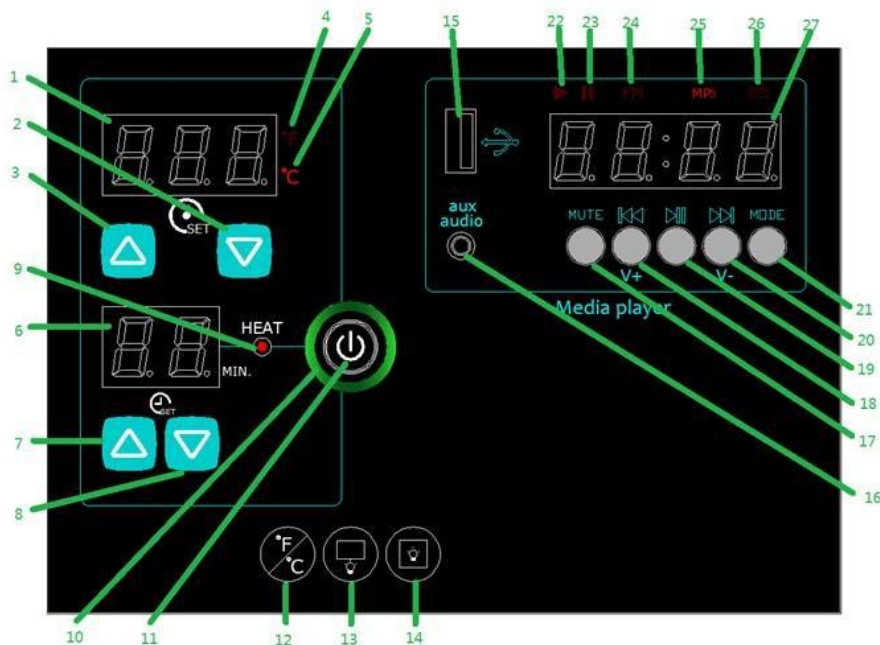
14) **STOP:** Press the button to stop the play of CD / USB

15) **VOL +:** Press the button to increase the volume

16) **Fast Backward:** to fast backwards within CD / USB

- 17) **PLAY / PAUSE:** Play or pause music within CD / USB
- 18) **Fast Forward:** to fast forward within CD / USB
- 19) **VOL-:** Press the button to decrease the volume
- 20) **ALB-:** to switch between previous albums stored within CD / USB
- 21) **ALB +:** to switch between follow-up albums stored within CD / USB
- 22) **TUN-:** When the radio is on, press the button and hold it for 3 seconds, your radio will automatically search for stations from a higher to a lower frequency, press the button in short intervals, you can search the station manually.
- 23) **TUN+:** When the radio is on, press the button and hold it for 3 seconds, your radio will automatically search for stations from a lower frequency to a higher, press the button in short intervals, you can search the station manually.
- 24) **PROG:** Program tracks within CD / USB function.
- 25) **MEM:** Press the button to save radio stations when the radio is on.
- 26) **PS-:** Press the button to select the following radio stations.
- 27) **PS +:** Press the button to select the previous radio station.
- 28) Number Code 1, 2, 3, 4, 5, 6, 7, 8, 9, 10 +: Press the numbers to select direct various programs in the CD / USB function, or already stored radio stations.
- 29) **CLKSET:** Press the button to set the time when the unit is turned off.

## PANEL:



## **Media Player**

15:USB terminal : Connect USB driver within MP3 or WMA audio media, Then playback that.

16:AUDIO AUX: 3.5mm stereo line in interface.

20:Next track: Choose next song. V-:when Long press this key:Volume Reduce.

18:Back track: Choose back song. V+:when Long press this key:Volume increase.

19:PAUSE/PLAY: Stop or play song.

21:MODE: Slect FM/MP3 or AUX playback.

17:MUTE: mute speaker.

22:Play indicate.

23:PAUSE indicate.

24:FM indicate.

25:MP3 indicate

26:AUX indicate

27:Media player display

## **Temperature controller**

1:Temperature or setpoint of temperature display

3:Temperature +: add setpoint of temperature.

2:Temperature -: decrease setpoint of temperature.

4:F: Indicate Fahrenheit temperature.

5:C: Indicate Centigrade temperature..

## **Timer**

6: Setting time or time remaining display.

7:Time +: add setting time.

8:Time -: decrease setting time.

## **9: Heat led:**

## **10.Power led:**

**11:ON/OFF key:**When sauna off press on/off key turn on sauna.when sauna on press on/off key turn off sauna

## **12:F/C swich key**

## **13:Outdoor light swich key**

## **14:Indoor light swich key**