









PR6175

Rattan Swivel chair

Assembly Instructions

Thank you for your purchase.
Please follow the instructions below for correct assembly.

G		1pc	H		1pc	C		1pc
D	M6*15	8pcs	E		24pcs	J	M6*35	8pcs
K		3pcs	L		1pc	M		8pcs
N		1pc						

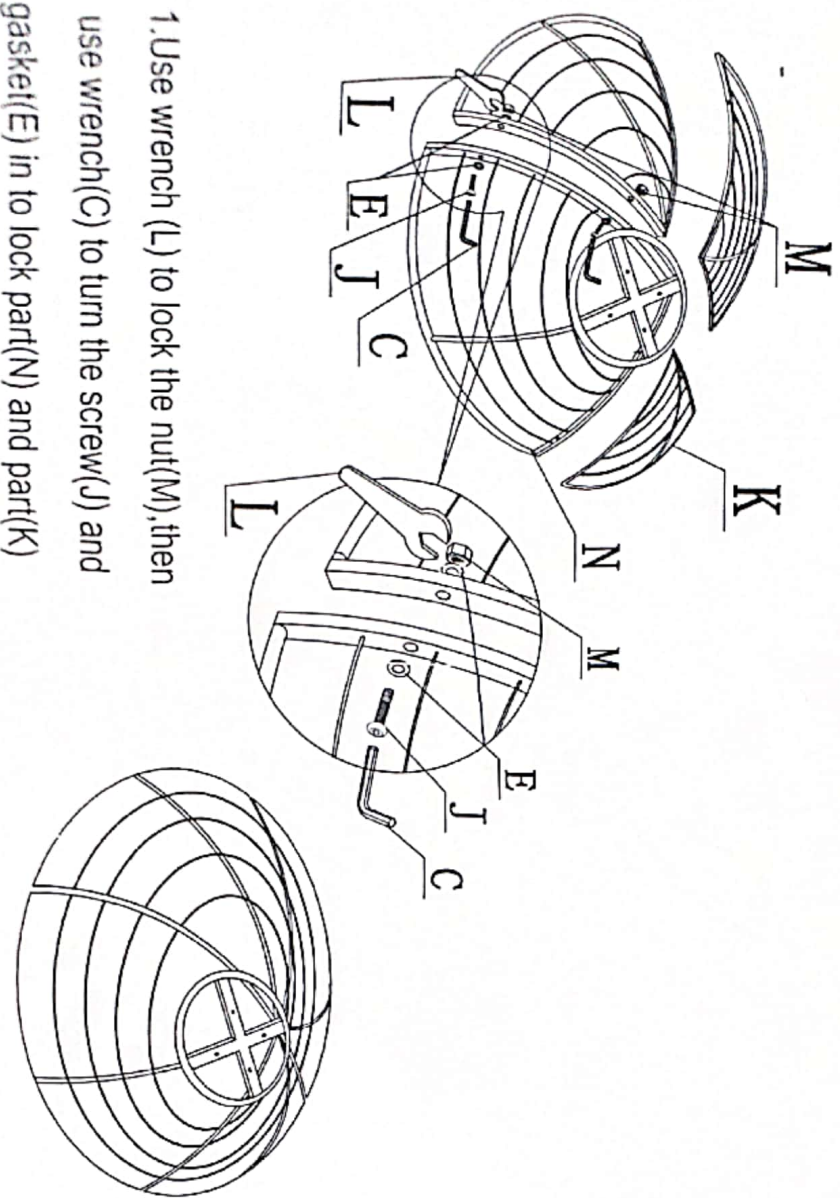
Parts Supplied



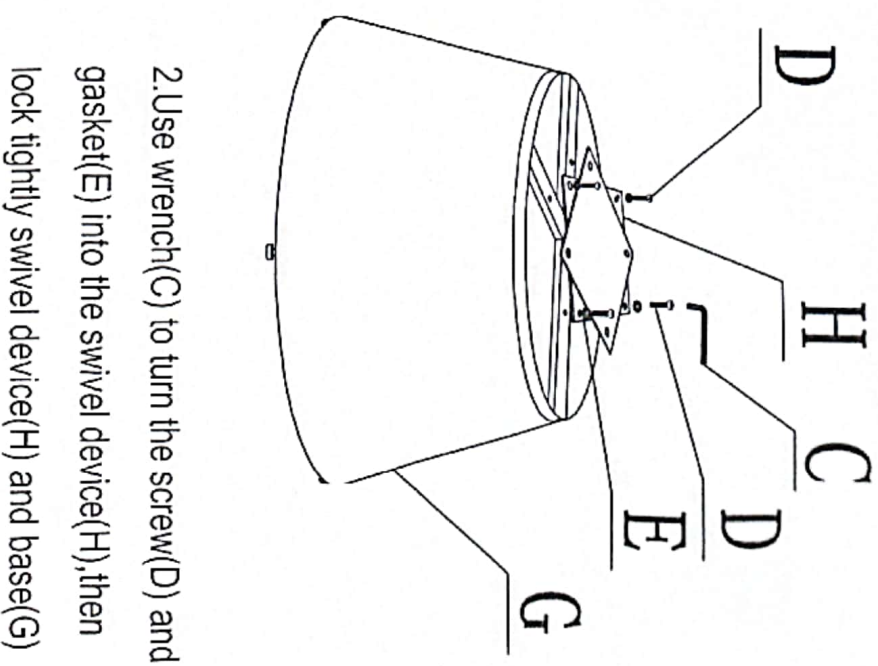
Rattan Swivel chair

Assembly Instructions

1



2



Note: 1. Please DO NOT fix screws tightly before all screws and holes connected.

2. Keeping all screws half-tightened will make assembling easier. Tks.

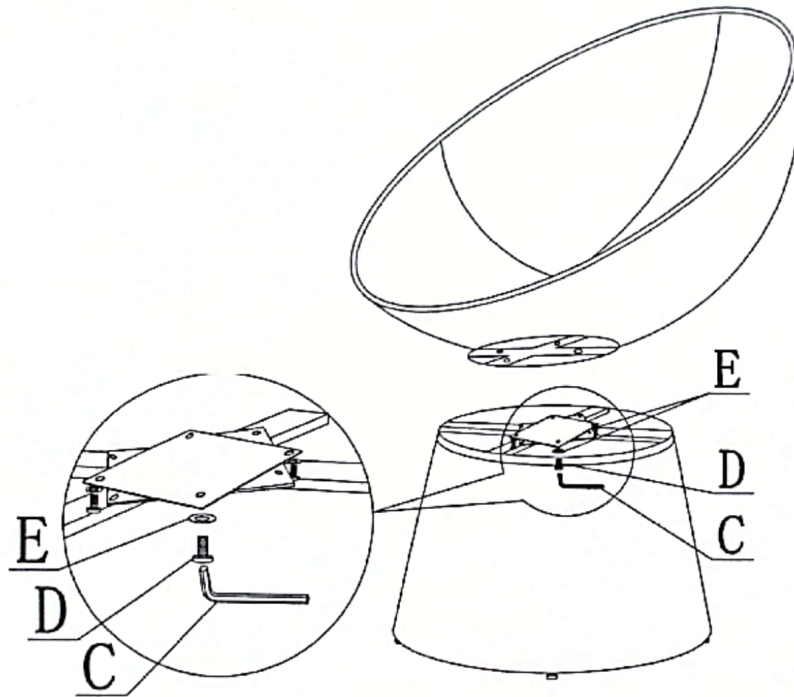
3. Please email us with pictures if you need any help during assembling. Thanks!

2

Rattan Swivel chair

Assembly Instructions

3



3. Use wrench (C) to turn the screw (D) and gasket (E) into the swivel device (H), then lock tightly the seating part and base (G)

Note: 1. Please DO NOT fix screws tightly before all screws and holes connected.

2. Keeping all screws half-tightened will make assembling easier. Tks.

3. Please email us with pictures if you need any help during assembling. Thanks!