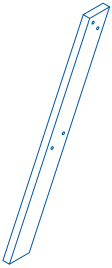


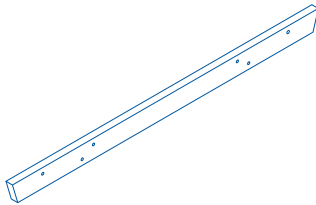
# ASSEMBLY INSTRUCTIONS

**1**



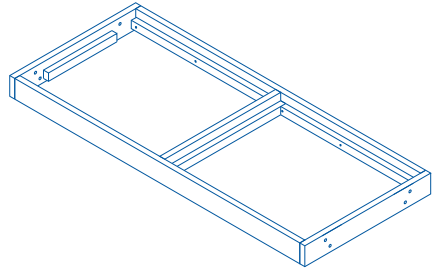
4x

**2**



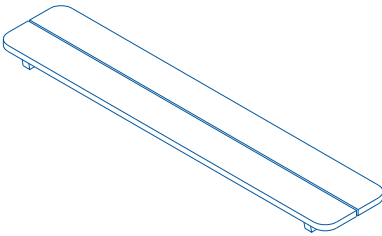
2x

**3**



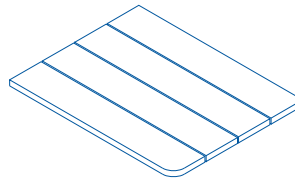
1x

**4**



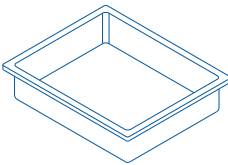
2x

**5**



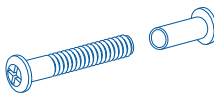
2x

**A**



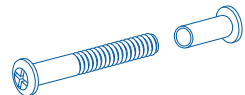
2x

**B**



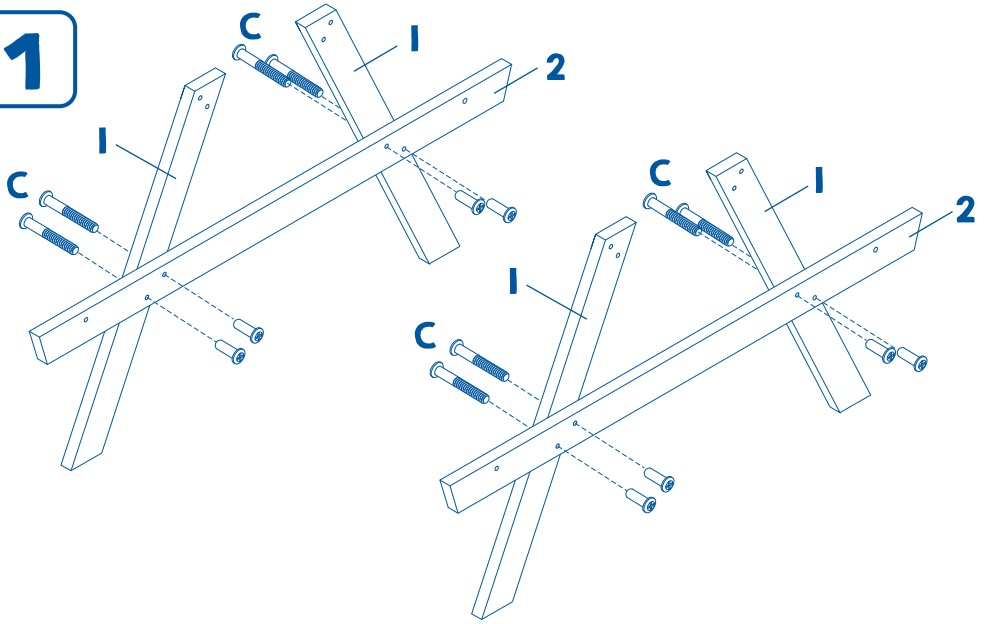
8x  
M6x25

**C**

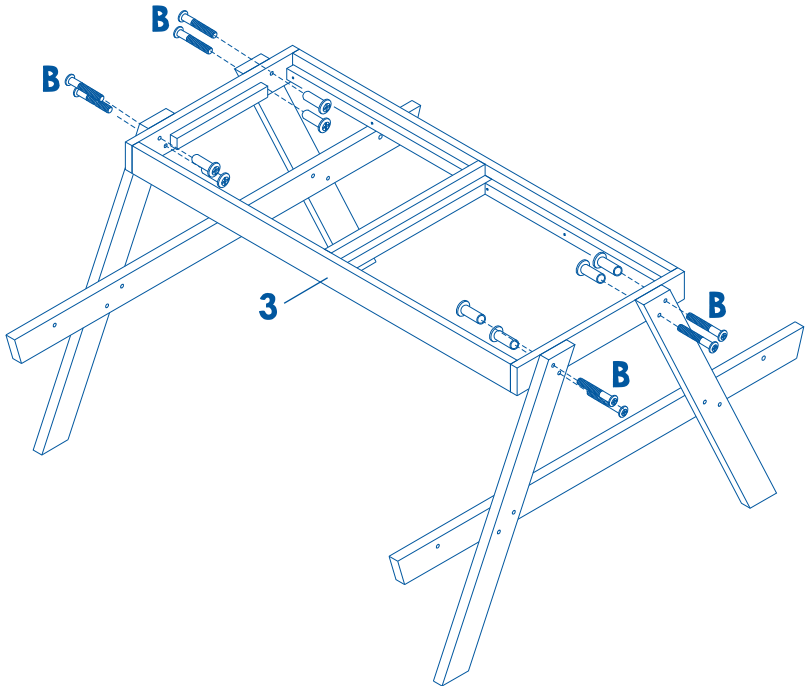


12x  
M6x30

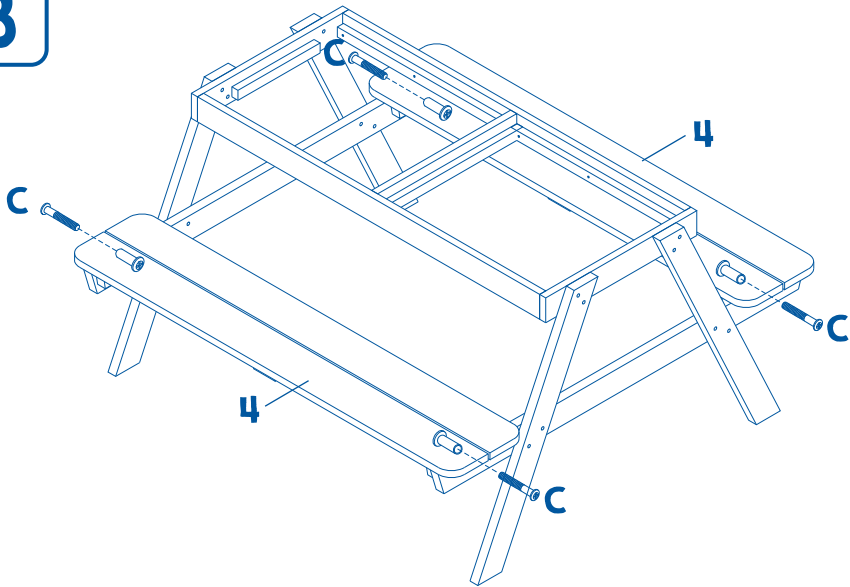
**1**



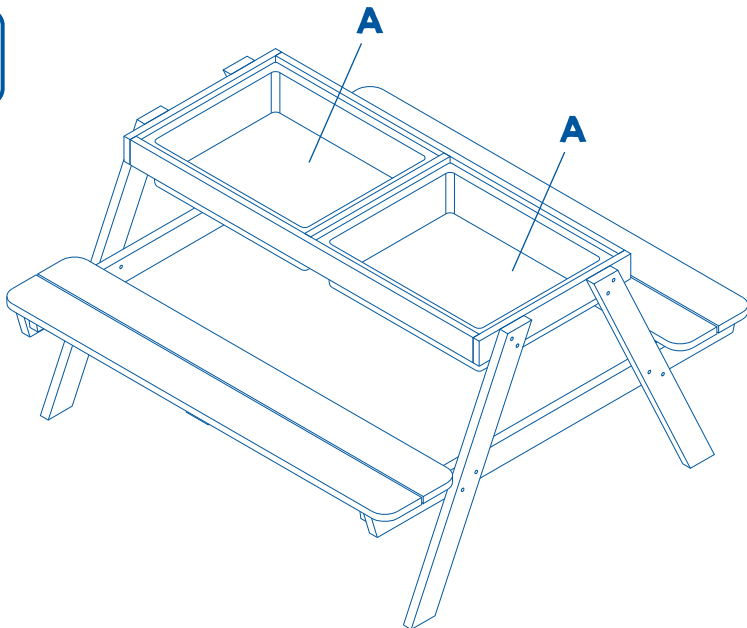
**2**



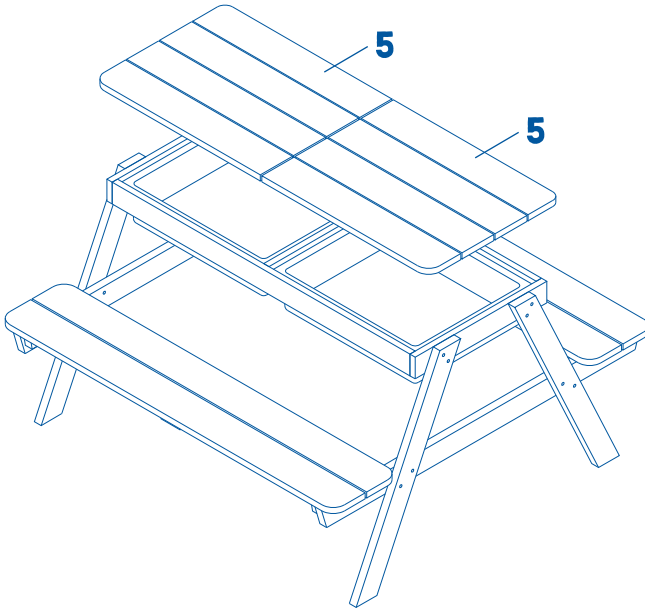
3



4



5



6

